

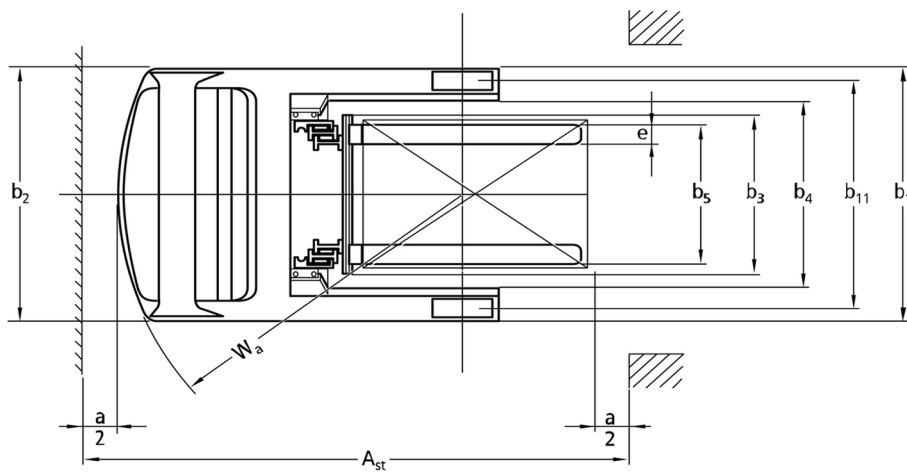
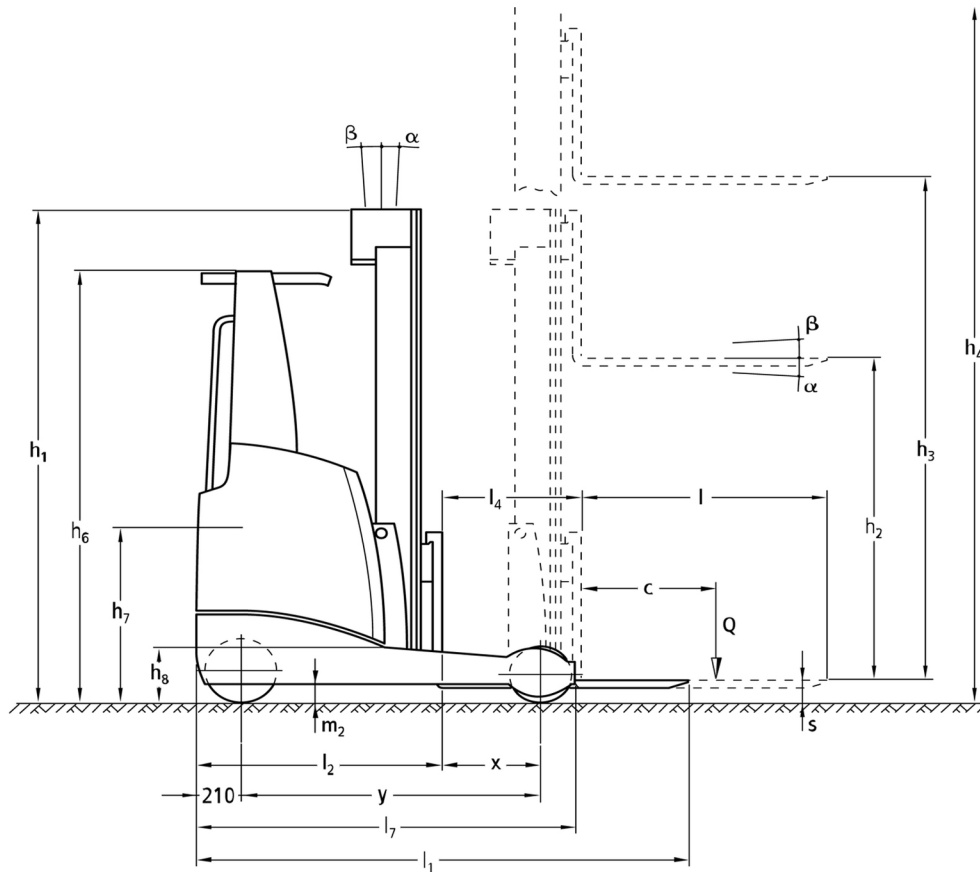


Electric reach truck

ETV 114n/116n/118n/120n

Lift height: 5000-11510 mm / Load capacity: 1400-2000 kg

ETV 114n/116n/118n/120n



ETV 114n/116n/118n/120n

ETV 114n, ETV 116n	Lift (h3)	Retracted mast height (h1)	Free lift (h2)	Extended mast height (h4)	Forward/backward tilt of mast	Forward/backward tilt of fork carriage
Triplex mast DZ	5000 mm	2200 mm	1700 mm	5590 mm	1 / 5 °	
	5000 mm	2200 mm	1700 mm	5590 mm		2 / 5 °
	5300 mm	2300 mm	1800 mm	5890 mm	1 / 5 °	
	5300 mm	2300 mm	1800 mm	5890 mm		2 / 5 °
	5900 mm	2500 mm	2000 mm	6490 mm	1 / 3 °	
	5900 mm	2500 mm	2000 mm	6490 mm		2 / 5 °
	6200 mm	2600 mm	2100 mm	6790 mm	1 / 3 °	
	6200 mm	2600 mm	2100 mm	6790 mm		2 / 5 °
	6500 mm	2700 mm	2200 mm	7090 mm	0.5 / 2 °	
	6500 mm	2700 mm	2200 mm	7090 mm		2 / 5 °
	6800 mm	2800 mm	2300 mm	7390 mm	0.5 / 2 °	
	6800 mm	2800 mm	2300 mm	7390 mm		2 / 5 °
	7100 mm	2900 mm	2400 mm	7690 mm	0.5 / 2 °	
	7100 mm	2900 mm	2400 mm	7690 mm		2 / 5 °
	7700 mm	3100 mm	2600 mm	8290 mm	0.5 / 1 °	
	7700 mm	3100 mm	2600 mm	8290 mm		2 / 5 °
	8420 mm	3340 mm	2840 mm	9010 mm	0.5 / 1 °	
	8420 mm	3340 mm	2840 mm	9010 mm		2 / 5 °
9020 mm	3540 mm	3040 mm	9610 mm	0.5 / 1 °		
9020 mm	3540 mm	3040 mm	9610 mm		2 / 5 °	
ETV 116n, ETV 120n	Lift (h3)	Retracted mast height (h1)	Free lift (h2)	Extended mast height (h4)	Forward/backward tilt of mast	Forward/backward tilt of fork carriage
Triplex mast DZ	9110 mm	3670 mm	3070 mm	9700 mm		2 / 5 °
	9620 mm	3840 mm	3240 mm	10210 mm		2 / 5 °
	9950 mm	3950 mm	3350 mm	10540 mm		2 / 5 °
	10220 mm	4040 mm	3440 mm	10810 mm		2 / 5 °
	10520 mm	4140 mm	3540 mm	11110 mm		2 / 5 °
	10700 mm	4200 mm	3600 mm	11290 mm		2 / 5 °
ETV 118n, ETV 120n	Lift (h3)	Retracted mast height (h1)	Free lift (h2)	Extended mast height (h4)	Forward/backward tilt of mast	Forward/backward tilt of fork carriage
Triplex mast DZ	5000 mm	2300 mm	1700 mm	5590 mm	1 / 5 °	
	5000 mm	2300 mm	1700 mm	5590 mm		2 / 5 °
	5300 mm	2400 mm	1800 mm	5890 mm	1 / 5 °	
	5300 mm	2400 mm	1800 mm	5890 mm		2 / 5 °
	5900 mm	2600 mm	2000 mm	6490 mm	1 / 3 °	
	5900 mm	2600 mm	2000 mm	6490 mm		2 / 5 °
	6200 mm	2700 mm	2100 mm	6790 mm	1 / 3 °	
	6200 mm	2700 mm	2100 mm	6790 mm		2 / 5 °
	6500 mm	2800 mm	2200 mm	7090 mm	0.5 / 2 °	
	6500 mm	2800 mm	2200 mm	7090 mm		2 / 5 °
	6800 mm	2900 mm	2300 mm	7390 mm	0.5 / 2 °	
	6800 mm	2900 mm	2300 mm	7390 mm		2 / 5 °
	7100 mm	3000 mm	2400 mm	7690 mm	0.5 / 2 °	
	7100 mm	3000 mm	2400 mm	7690 mm		2 / 5 °
	7700 mm	3200 mm	2600 mm	8290 mm	0.5 / 1 °	
7700 mm	3200 mm	2600 mm	8290 mm		2 / 5 °	

	8420 mm	3440 mm	2840 mm	9010 mm	0.5 / 1 °	
	8420 mm	3440 mm	2840 mm	9010 mm	2 / 5 °	
	9020 mm	3640 mm	3040 mm	9610 mm	0.5 / 1 °	
	9020 mm	3640 mm	3040 mm	9610 mm	2 / 5 °	
ETV 120n	Lift (h3)	Retracted mast height (h1)	Free lift (h2)	Extended mast height (h4)	Forward/backward tilt of mast	Forward/backward tilt of fork carriage
Triplex mast DZ	10880 mm	4260 mm	3660 mm	11470 mm	2 / 5 °	
	11120 mm	4340 mm	3740 mm	11710 mm	2 / 5 °	
	11510 mm	4470 mm	3870 mm	12100 mm	2 / 5 °	

VDI table

Stand-on: 01/2023

			Jungheinrich				
			ETV 114n	ETV 116n	ETV 118n	ETV 120n	
Kennzeichen	1.1	Manufacturer (abbreviated description)					
	1.2	Manufacturer's type designation					
	1.3	Drive	Electric				
	1.4	Operation	Seat				
	1.5	Load capacity/load	Q kg	1400	1600	1800	2000
	1.6	Load centre distance	c mm	600			
	1.8	Load distance, centre of drive axle to fork	x mm	345	395	466	
	1.8.1	Load distance, centre of drive axle to fork, mast extended	mm	205			
	1.9	Wheelbase	y mm	1410	1460	1560	
Gewichte	2.1.1	Service weight (incl. battery)	kg	2950	3070	3500	3570
	2.3	Axle load unladen front/rear	kg	1770 / 1180	1842 / 1228	1932 / 1568	1984 / 1586
	2.4	Axle load fork forward laden front/rear	kg	522 / 3828	560 / 4110	1009 / 4291	958 / 4612
	2.5	Axle load fork back laden front/rear	kg	1566 / 2784	1681 / 2989	1765 / 3535	1798 / 3772
Räder/Fahrwerk	3.1	Tyres	Polyurethane (PU)				
	3.2	Tyre size, front	Ø 343 x 114				
	3.3	Tyre size, rear	Ø 285 x 100				
	3.5	Wheels, number front/back (x=driven)	1x / 2				
	3.7	Tread width, rear	b ₁₁ mm	1136			
Grundabmessungen	4.1	Forward/backward tilt of mast	a/β °	1 / 5			
	4.2	Retracted mast height (h1)	h ₁ mm	2300	2400		
	4.3	Free lift (h2)	h ₂ mm	1800			
	4.4	Lift (h3)	h ₃ mm	5300			
	4.5	Extended mast height (h4)	h ₄ mm	6300	6400		
	4.7	Height of overhead guard (cab)	h ₆ mm	2265			
	4.8	Seat height/stand height	h ₇ mm	950			
	4.10	Height of support arms	h ₈ mm	285			
	4.19	Overall length	l ₁ mm	2346	2418	2518	
	4.20	Length including fork shank	l ₂ mm	1275		1307	
	4.21.1	Overall width	b ₁ mm	1270			
	4.21.2	Overall width	b ₂ mm	1270			
	4.22	Fork dimensions	s/ e/l mm	40 x 120 x 1150			
	4.23	Fork carriage connection class		2B			
	4.24	Fork carriage width	b ₃ mm	800			
	4.25	Width across forks	b ₅ mm	335			
	4.26	Width between support arms/loading areas	b ₄ mm	940			
	4.28	Reach distance	mm	544	594	664	
	4.32	Ground clearance centre of wheelbase	m ₂ mm	80			
	4.34.1	Aisle width (pallet 1000x1200 sideways)	Ast mm	2701	2715	2766	
4.34.2	Aisle width (pallet 800x1200 length)	Ast mm	2757	2762	2799		
4.35	Turning radius	W _a mm	1620	1670	1770		
4.37	Length over the support arms	L ₇ mm	1780	1830	1930		
Leistungsdaten	5.1	Travel speed laden/unladen	km/h	10 / 10			
	5.2	Lift speed laden/unladen	m/s	0.34 / 0.65	0.32 / 0.6	0.32 / 0.54	
	5.3	Lowering speed laden/unladen	m/s	0.5 / 0.4	0.48 / 0.4	0.45 / 0.38	0.44 / 0.38
	5.4	Reach speed laden/unladen	m/s	0.2 / 0.2			

	5.7	Gradeability laden/unladen	%	7 / 10			
	5.8	Max. gradeability laden/unladen	%	10 / 15			
	5.9	Acceleration time laden/unladen	s	5.1 / 4.8	5.2 / 4.8	5.3 / 4.8	5.4 / 4.8
	5.10	Service brake		electric			
E-Motor/Elektronik	6.1	Drive motor, performance S2 60 min	kW	6.9			
	6.2	Lift motor, performance with S3	kW	10			
	6.3	Battery according to DIN 43531/35/36		C			
	6.4	Battery voltage/nominal capacity	V / Ah	48 / 465		48 / 620	
	6.5	Battery weight	kg	746		995	
	6.6.1	Energy consumption according to EN cycle	kWh/h	3.8	4.1	4.4	4.7
	6.6.2	CO2 equivalent as per EN 16796	kg/h	2.1	2.2	2.4	2.5
Sonstiges	8.1	Type of drive control		Mosfet/AC			
	10.1	Operating pressure for attachment	bar	150			
	10.2	Oil flow for attachments	l/min	20			
	10.7	Sound level as per EN12053, operator's ear	dB (A)	68			
<p>- This data sheet according to VDI guideline 2198 only states the technical values of the standard truck. Different tyres, other masts, additional equipment etc. may result in different values.</p>							

The German production facilities in
Norderstedt, Moosburg and Landsberg
are certified.

ISO 9001
ISO 14001

 **JUNGHEINRICH**