



文件号:

XCA100H全地面起重机 技术规格书

					编制		
					校对		
					审核		
					会签		
					批准		
标记	处数	更改文件号	签字	日期	审签	签字	日期

徐州重型机械有限公司

XCA100H全地面起重机 / All Terrain Crane

技术规格书 Technical specifications



100 t



60 m



88 m

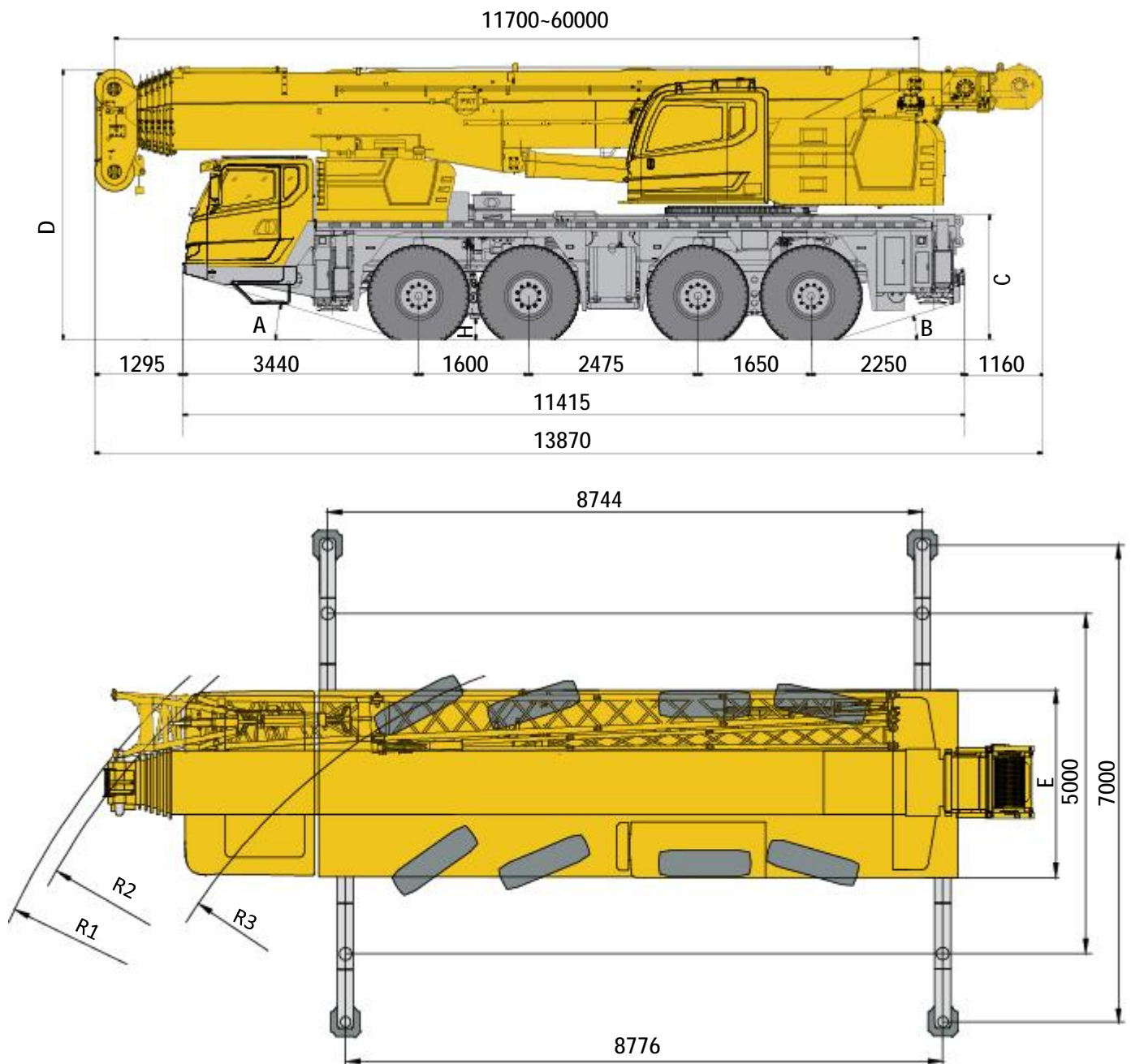



2023年3月 第1版
1 st edition, March 2023

目录 Contents

尺寸参数 Dimensions	5
技术规格 Technical specifications	6-9
重量/作业速度 Weight / Working speeds	10
平衡重 Counterweight	11
臂架组合方案 Boom / Jib combinations	12-13
运输部件尺寸 Dimensions and weight of parts transported	14
主臂 Boom	15-17
主臂+副臂 Boom + Jib	18-20
主要技术参数 Table of main technical parameters	21-22
符号标识 Description of symbols	23
注意事项 Notes	24

尺寸参数 Dimensions



	A	B	C	D	E	R1	R2	R3	H
385/95R25	17°	16.5°	1850	4000	2750	9850	9500	7500	280

技术规格

Technical specifications



底盘

车架	徐工设计、制造，车架采用矩形截面车架结构，高强度钢材制造
支腿	4点支撑，水平和垂直支腿全液压操纵，底盘两侧装有电控操纵控制台，控制台装电子水平仪，并有支腿照明灯开关和支腿运行调速按钮； 支脚盘尺寸：412mm×412mm 最大起重量时支腿反力：740KN。
发动机	WP12.430E50，六缸、柴油、潍柴制造，额定功率/转速：316kw/1900rpm 最大输出扭矩/转速：2060N.m/1000-1400rpm 欧V排放标准 油箱容积：300L 尿素容积：50L
变速箱	法士特FC6A210PR C自动变速箱
车桥	高强度车桥，三桥驱动：8×6×8
转向系统	前两桥机械转向，后两桥徐工电液比例转向系统
悬挂系统	悬架均采用油气悬挂系统：悬架油缸行程为-100mm~+140mm
液压系统	恒压变量泵用于支腿操纵，垂直支腿带有双向液压锁； 液压油箱容积：288L；

双回路、气制动、盘式制动器；

行车制动：双回路气压制动，作用于所有车轮。

制动系统

驻车制动：弹簧储能制动，作用于2-4轴车轮。

辅助制动：排气制动、变速箱缓速制动。

轮胎

8个轮胎，1个备胎

轮胎规格：385/95R25

驾驶室

新型钢结构豪华全宽驾驶室，采用悬浮式连接结构，后部装有减震器。配备电动升降器的安全玻璃、可调式座椅、电动调节后视镜、可调节高度及角度方向盘，倒车显示器、大屏幕彩色液晶显示器等。新型组合式中控台布局安全合理，采用圆弧造型，体现人性化的设计。

标配冷暖空调。

电气系统

直流24伏特，2个12伏特电池组串联。

技术规格

Technical specifications



上车

主臂	7节，“U”形截面的筒形焊接结构，主臂长度：11.7m~60m	安全装置	液压平衡阀；液压溢流阀；液压双向锁；力矩限制器；显示器、中心控制器、长度/角度传感器、过卷开关、油压传感器、操纵杆弹簧式回中系统；三圈保护器，防止钢丝绳过放；臂头设置高度限位，防止钢丝绳过卷；风速仪
变幅机构	单变幅油缸，采用重力+动力下降模式，带有自补偿功能的电比例控制平衡阀。变幅速度： $-0.5^{\circ} \sim 83^{\circ} \leq 50s$		操纵室
主起升机构	液压马达驱动，内置式行星齿轮减速机和常闭式制动器，专用防乱绳卷筒，抗缠绕钢丝绳； 起升速度(单绳，第5层，空载)： $\geq 130m/min$ 钢丝绳(直径×长度)： $\varphi 18mm \times 290m$	液压系统	
回转机构	单排四点接触球外齿式回转支承，由液压马达驱动行星齿轮回转减速器驱动，可连续回转 360° 。 具有动力控制或自由回转的功能，可无级调速；最大回转速度 $\geq 1.7r/min$ 。		平衡重
操纵方式	上车操纵方式为CAN-BUS总线操纵，采用PLC集成智能控制技术，CAN-BUS总线的控制网络，除常规控制功能外，还具有系统实时监测、故障自动诊断、模糊工况查询。	起重钩	75吨钩、40吨钩、7吨钩
发动机	六缸、柴油、东风康明斯公司 QSB5.9-C210-30 额定功率/转速：154kw/2200rpm 最大输出扭矩/转速： 820N.m/1500rpm 排放标准：非道路三阶段 油箱容积：300L		

技术规格


Technical specifications

选装配置

副臂	桁架式焊接结构，具有0°、15°、30°三种副臂安装角。副臂长度：10.6m、18.1m
加长节	两节7m加长节
独立臂头	桁架式焊接结构，与主臂臂头固定安装。独立臂头长度：2.9m
副起升机构	液压马达驱动，内置式行星齿轮减速机和常闭式制动器，专用防乱绳卷筒，抗缠绕钢丝绳； 起升速度(单绳，第2层，空载)： ≥97m/min 钢丝绳(直径×长度)：φ18mm×200m
平衡重	两侧平衡重3.6吨*2
防火罩	排气管尾部防火罩
报警灯	驾驶室旋转报警灯
起重钩	20吨钩
支腿测长	支腿伸出长度显示功能
无线摄像	可变焦无线摄像装置
底盘急停	底盘急停功能

技术规格

Technical specifications

	Chassis	Driver's cab	New full dimension steel structure cab, with suspension connecting structure, is equipped with shock absorbers at the rear of the cab. It is also equipped with adjustable seats, safety glass, electrically operated door window lifter, electric-adjustable mirrors, steering wheel adjustable in height and angle, reverse displayer, and large screen liquid crystal display, etc. New combined central control panel is reasonably arranged with arc shape adopted, presenting human-oriented design concept. Heater and air conditioner are standard.
Frame	Designed and manufactured by XCMG, made of high strength steel with rectangle cross-section.	Electrical system	DC 24 V, with 2 sets of 12 V batteries in series.
Outriggers	Four-point supporting, hydraulic control. An outrigger control station at each side of the chassis. There is an electronic level gauge, an outrigger lamp switch and an outrigger speed control button on each control station. Outrigger float dimension: 412mm×412mm Reaction force of outrigger at max. lifting load: 740KN	Superstructure	
Engine	WP12.430E50, six-cylinder, diesel engine, made by Weichai Rated power/rpm: 316 kw/1900 rpm. Max. output torque/rpm: 2060 N.m/1000-1400 rpm Emission standard: Euro V Fuel tank capacity: 300 L. AdBlue/DEF tank volume: 50 L	Boom	11.7 m~60 m, 7-section boom with U-shaped cross-section, welded structure
Transmission	FAST FC6A210PR C automatic transmission.	Luffing system	Single cylinder, gravity fall plus power lowering boom mode, with self-compensation electric-proportional counterbalance valve. Speed: ≤50 s for luffing operation from -0.5° to +83° .
Axles	High-strength axles, three axles for driving: 8×6×8	Main winch	Hydraulic motor with planetary gear reducer and constant-closed brake, specific anti-disorder rope winding drum, anti-coiling wire rope. Speed (single line, the 5th layer, no load): ≥130m/min. Rope diameter× length: φ18 mm×290 m
Steering system	Front two axles are mechanically steered, rear two axles are equipped with XCMG electro-hydraulic proportional steering system.	Slewing system	Single-row four-point ball contact external tooth slewing ring is driven by the planetary gear reducer of slewing mechanism driven by a hydraulic motor, and may continuously slew 360° . Power control or free slewing function and stepless speed regulation are available. Max. slewing speed is ≥1.7r/min.
Suspension system	Hydro-pneumatic suspension. The stroke of suspension cylinder is -100mm~+140mm.	Control system	CANBus control is used for operating the superstructure. With PLC integrated intelligent control technology and CANBus control, real-time monitoring, automatic fault diagnosis and fuzzy inquiry of working condition are available besides the conventional control function.
Hydraulic system	Constant voltage variable pump is used for outrigger control; a double-way hydraulic lock fitted in each jack cylinder; Hydraulic tank capacity: 288L		
Braking system	Dual-circuit, pneumatic and disc brake; Service brake: dual-circuit air pressure brake, acting on all wheels. Parking brake: spring applied brake, acting on the wheels of axles 2-4. Auxiliary brake: exhaust brake and transmission retarder brake.		
Tires	8 tires and 1 spare tire. Tire specifications: 385/95R25.		

技术规格

Technical specifications

Engine	<p>Six-cylinder diesel engine, manufactured by Dongfeng Cummins QSB5.9-C210-30 Rated power/rpm: 154kw/2200rpm Max. output torque/rpm: 820N.m/1500rpm Emission standard: Off-road Stage III Fuel tank capacity: 300L</p>
Safety devices	<p>Hydraulic counterbalance valve, hydraulic relief valve, double-way hydraulic valve, LMI, display, central controller, length/angle sensor, over-winding switch, oil pressure sensor, joystick spring return system, lowering limiter for preventing wire rope from over-releasing, anti-two block at boom head for preventing wire rope from over-winding and anemometer</p>
Operator's cab	<p>New steel cab with a full-view windshield, safety glass, sun shield, adjustable operator's seat. Windshield wiper and roof window wiper. Armrest-integrated crane control levers. Ergonomically arranged standard controls and indicators in the cab. A sliding door and a pull-out step for easy and safe access to the cab. 20° tilted. Heater and air conditioner.</p>
Hydraulic system	<p>Electric proportional variable piston pump is used for lifting, luffing, telescoping and slewing; load-sensing proportional multi-way directional control valve; large power air-cooled hydraulic oil cooler. Volume of hydraulic oil tank: 1000L</p>
Counterweight	21.5 t
Hook block	75 t, 40 t, 7t

Optional equipment

Jib	<p>Lattice jib, welded structure. Three offset angles of 0° , 15° and 30° . Jib length: 10.6 m, 18.1 m.</p>
Extension	Two 7 m extensions
Independent jib head	<p>Lattice jib, welded structure, attached to boom head . Length of independent jib head is 2.9 m .</p>
Auxiliary winch	<p>Hydraulic motor with planetary gear reducer and constant-closed brake, specific anti-disorder rope winding drum, anti-coiling wire rope. Speed (single line, the 2nd layer, no load): ≥97m/min. Rope diameter × length: φ18 mm × 200 m</p>
Counterweight	3.6 t *2 at both sides
Spark arrestor	Exhaust pipe tail spark arrestor
Beacon lamp	Beacon lamp at the driver's cab
Hook block	20 t
Outrigger length measurement	It shows the extending length of the outriggers
Wireless camera	Zoom type wireless camera
Chassis emergency stop	Chassis emergency stop function

重量 Weights



车轴 Axle	1	2	3	4	总重 Total weight
t	13	13	12.6	12.6	51.2 ^[1]

备注Notes : [1] 51.2t : 385/95R25轮胎, 带4个支脚盘, 带副起重臂、副起升机构。51.2 t: 385/95R25 tires, equipped with four outrigger floats, jib and auxiliary winch



吊钩 Hook block	倍率 Parts of lines	吊钩重量 Weight (kg)	备注 Remarks
75 t	12	646	双钩/ Double hook
40 t	6	391	双钩/ Double hook
20 t	3	270	单钩/ Single hook
7 t	1	223	单钩/ Single hook

作业速度 Working speeds



385/95R25



2 ~ 80

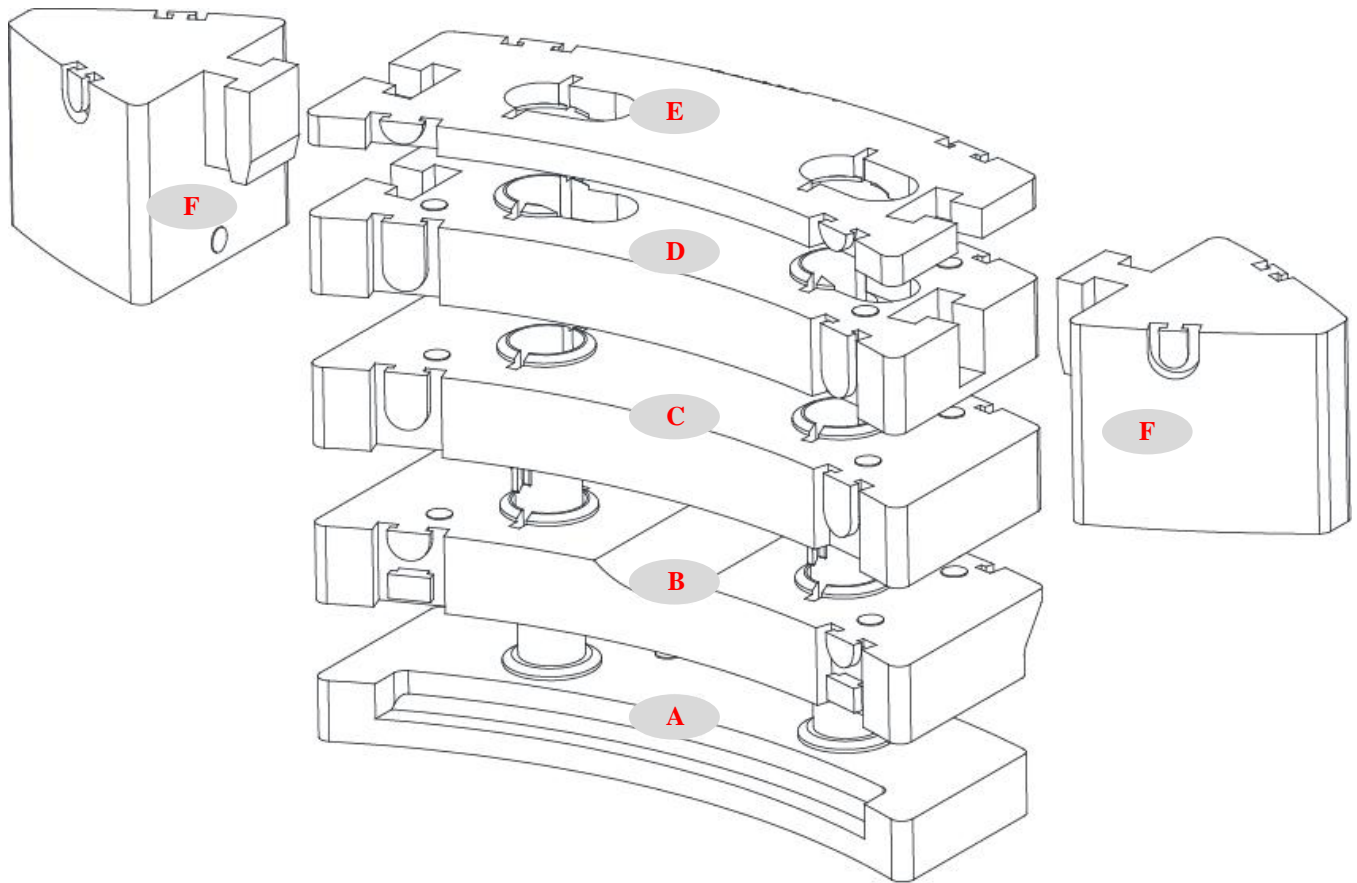


60%



作业机构 Drive	作业速度 Working speed	最大单绳拉力 Max. single line pull	钢丝绳直径/长度 Rope diameter/length
	0-125 单绳, 第4层, 空载 Single line, 4th layer, no load	6 t	18 mm/290 m
	0-110 单绳, 第5层, 空载 Single line, 5th layer, no load	6,5 t	18 mm/200 m
	0-1,7 r/min		
	从-0.5°抬起至83°约50s Approx. 50s for boom elevation from -0.5° to 83°		
	从11.7m伸出至60m约600s Approx. 600s for boom extension from 11.7 m to 60 m		

平衡重 Counterweight

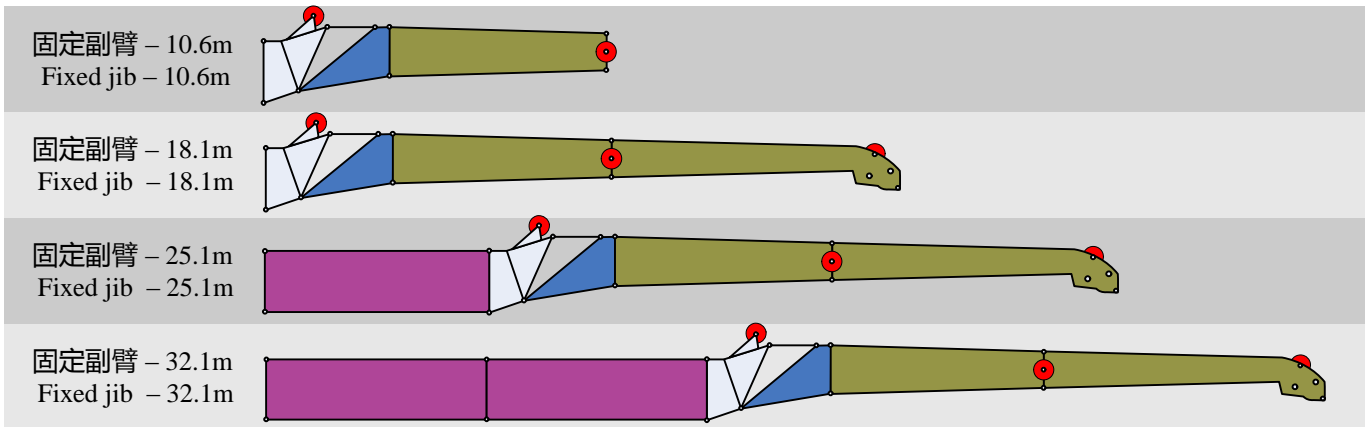


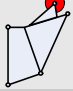
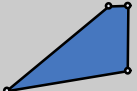



平衡重 Counterweight	A	B	C	D	E	F
尺寸 (长×宽×高) Dimensions (L×W×H) (m)	2,75×1,11 ×1,344	2,75×1,23 ×0,356	2,75×1,23 ×0,369	2,75×1,23 ×0,355	2,75×1,23 ×0,123	1,18×1,016 ×0,827
重量 Weight (t)	4,3	4,8	5,6	5	1,8	3,6

工况模式 Working mode	28,7t	21,5 t	19,7 t	14,7t	9,1	4,3
组合形式 Combinations	A+B+C+D+E +F×2	A+B+C+D+E	A+B+C+D	A+B+C	A+B	A

臂架组合方案

Boom / Jib combinations



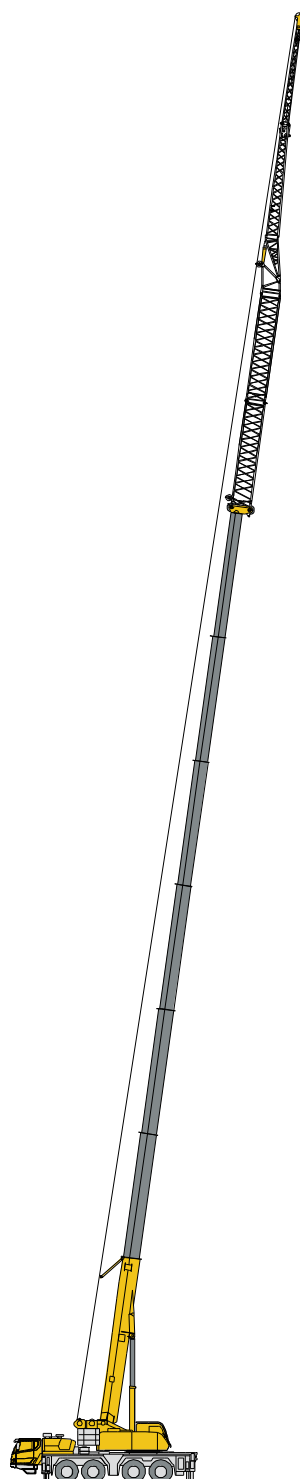
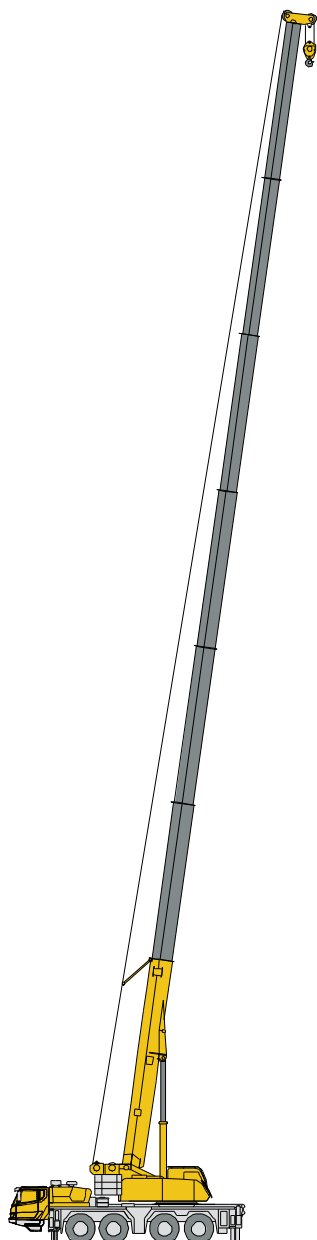
部件 Part	结构形式 Structure	尺寸 (长×宽×高) m Dimensions (L×W×H) (m)	重量 kg Weight (kg)
连接架 Connection bracket		2.075×0.945×1.553	300
旋转架 Rotating bracket		2.86×0.724×1.31	260
一节副臂总成 First jib section assembly		7.485×0.653×0.85	470
二节副臂总成 Second jib section assembly		7.53×0.46×0.66	340
副臂加长节 Jib extension		7.1×0.95×1.313	510

臂架组合方案

Boom / Jib combinations

T 主臂 Telescopic boom

J 副臂 Jib



主臂
Telescopic boom

T : 11.7~60 m

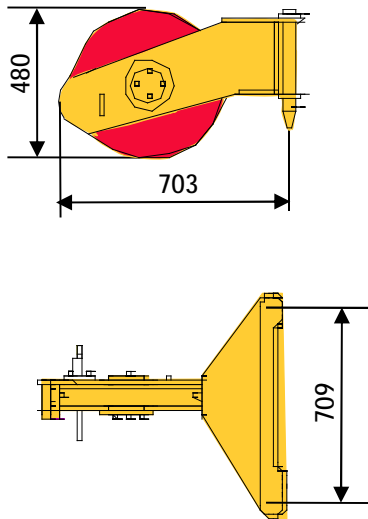
副臂
Jib

T : 48.7~56.1+7+7 m
J : 10.6~18.1 m

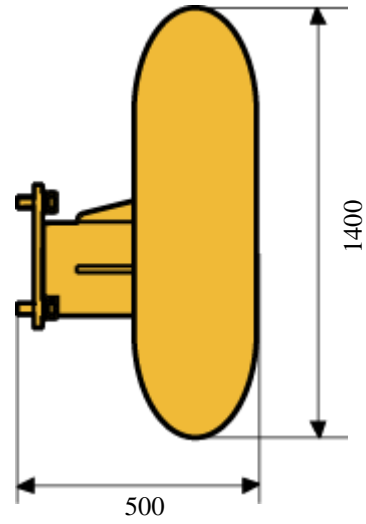
运输部件尺寸

Dimensions and weight of parts transported

臂端单滑轮 95kg
Single top

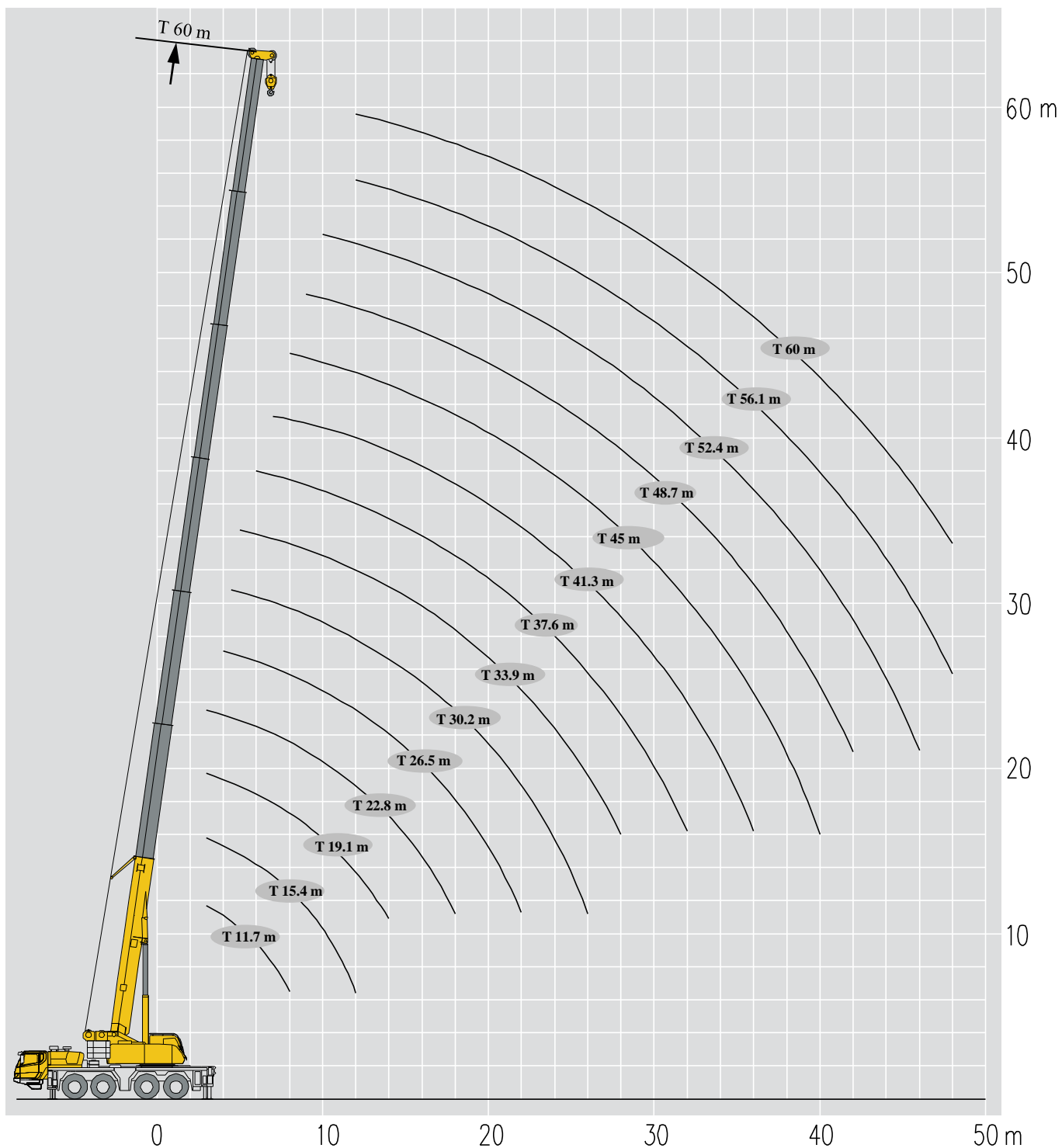


备胎 (含支架) 254kg
Spare tire (bracket included) 254kg



起升高度曲线图 Lifting heights

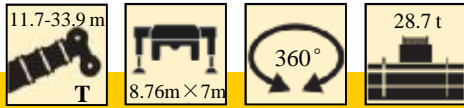
主臂
Boom



起重性能表

Lifting capacities

T 11.7~33.9m


m											m
	11.7 *m	11.7 m	15.4 m	15.4 m	15.4 m	19.1 m	19.1 m	19.1 m	22.8 m		
3	100**	75.0	65.0	61.3	59.4	62.8	61.0	60.0	62.5	3	
3.5	73.5	65.0	62.5	58.0	56.8	62.5	59.0	58.5	61.4	3.5	
4	67.6	59.6	59.9	55.0	54.2	59.9	56.0	55.6	56.8	4	
4.5	62.3	55.1	55.4	55.0	51.7	55.5	55.0	54.0	54.4	4.5	
5	57.5	50.0	51.3	50.0	49.0	51.3	50.0	49.8	50.6	5	
6	48.9	44.2	44.0	44.8	40.0	44.8	45.0	42.8	45.0	6	
7	42.3	38.9	39.0	39.5	38.0	38.5	39.5	38.5	40.0	7	
8	37.1	34.3	34.0	35.3	33.6	34.0	34.5	35.8	34.2	8	
9			31.0	31.6	30.8	31.5	31.8	32.1	31.8	9	
10			27.5	28.0	28.1	27.5	28.2	28.8	28.0	10	
12			22.0	22.4	22.6	22.5	23.0	23.2	22.8	12	
14						18.0	19.0	19.2	19.0	14	
16									15.0	16	
18									12.2	18	
组合 Code	000000	000000	010000	000100	000010	011000	001100	000110	011100	组合 Code	

说明：*表示正后方性能

**代表起重能力等级，不进行实际吊重和计算

Notes：* Over rear




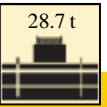
** Capacity class, not for actual lifting and calculation

m											m
	22.8 m	22.8 m	26.5 m	26.5 m	26.5 m	30.2 m	30.2 m	30.2 m	33.9 m		
3	60.5	60.0								3	
3.5	59.0	58.2								3.5	
4	56.0	55.4	56.4	56.0	55.8					4	
4.5	54.0	53.6	54.4	54.0	53.4	51.0	50.5	37.5		4.5	
5	50.0	49.5	50.4	50.0	49.5	49.3	49.0	35.9	41.5	5	
6	42.4	42.0	42.7	42.4	42.0	42.3	42.0	32.9	41.8	6	
7	38.0	37.6	38.0	38.3	37.6	38.0	37.8	30.0	36.8	7	
8	36.0	34.0	34.5	34.9	34.0	34.5	34.0	27.7	33.6	8	
9	32.2	32.2	31.5	31.8	32.1	31.4	31.8	25.8	31.0	9	
10	28.5	28.9	29.8	29.8	30.7	28.0	28.4	24.4	28.0	10	
12	23.0	23.5	24.0	24.2	24.5	24.5	24.9	21.6	23.0	12	
14	19.2	19.4	18.6	19.0	19.3	19.0	19.3	19.0	18.8	14	
16	16.0	16.3	14.8	16.1	16.3	15.5	16.0	16.3	14.9	16	
18	12.8	13.8	12.0	13.3	14.3	12.6	13.9	14.1	12.1	18	
20			9.8	11.1	12.2	10.5	11.7	12.2	10.0	20	
22			8.1	9.4	10.3	8.7	10.0	10.7	8.3	22	
24						7.3	8.6	9.4	6.9	24	
26						6.2	7.4	8.3	5.7	26	
28									4.7	28	
组合 Code	001110	000111	111100	011110	001111	111110	011111	001112	211110	组合 Code	

起重性能表

Lifting capacities

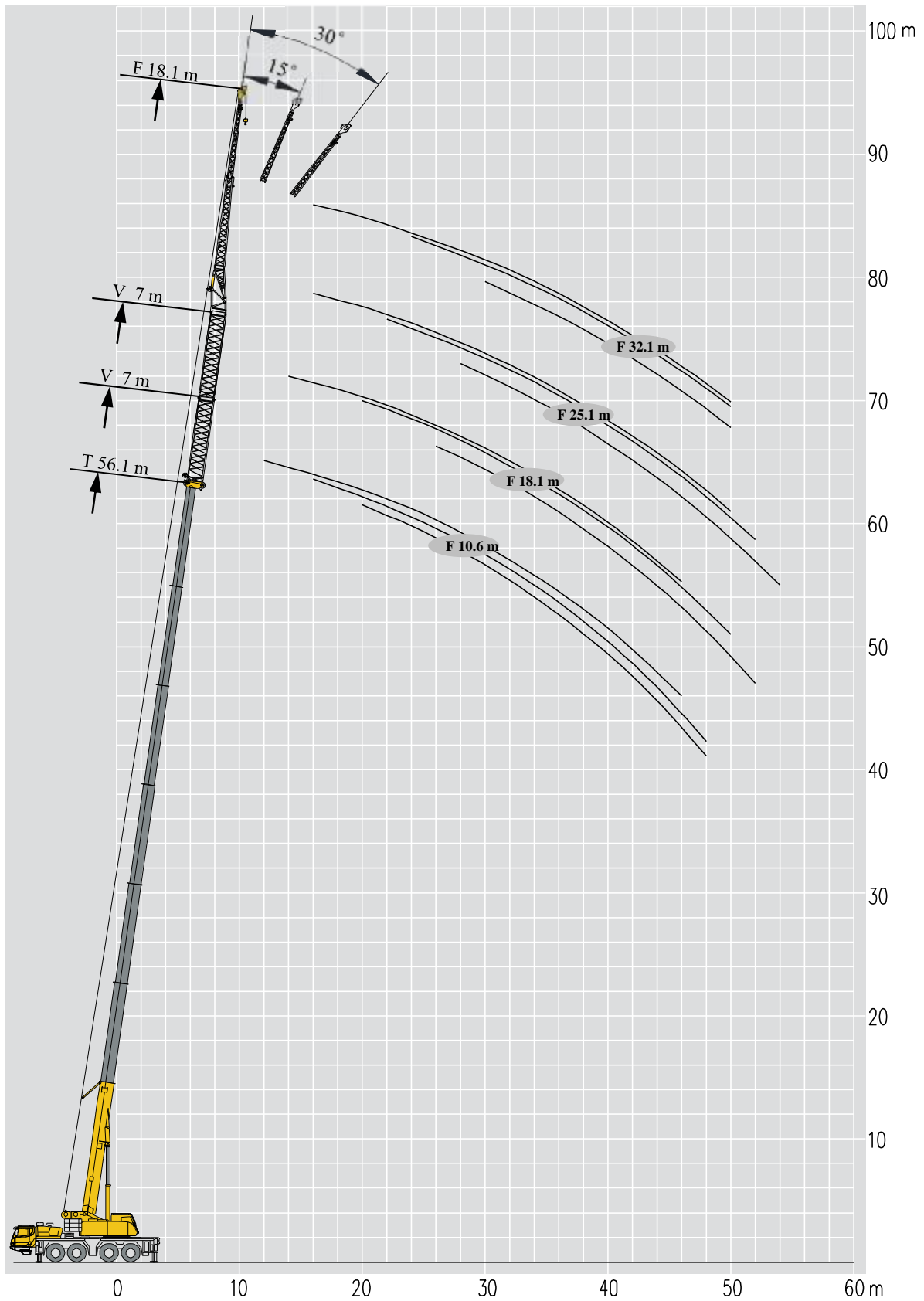
T 33.9~60m

m	   										m
	33.9 m	33.9 m	37.6 m	37.6 m	37.6 m	41.3 m	41.3 m	41.3 m	45 m		
5	41.9	37.1									5
6	42.1	33.9	34.4	30.8	26.5						6
7	37.2	31.3	34.2	28.7	24.8	29.5	29.0	24.6			7
8	34.1	29.0	33.5	26.7	23.2	29.2	28.9	23.3	24.3		8
9	31.4	27.1	30.5	24.9	21.9	29.6	28.4	22.1	24.1		9
10	28.4	25.5	27.8	23.5	20.6	27.5	26.8	21.0	23.9		10
12	23.3	22.8	23.0	20.7	18.4	23.2	23.0	19.0	22.0		12
14	19.0	19.3	19.0	18.4	16.6	19.0	19.0	17.2	18.8		14
16	16.1	16.3	16.0	16.3	15.2	15.5	16.0	16.3	15.6		16
18	13.3	14.1	13.1	14.0	13.9	12.7	13.2	14.1	12.7		18
20	11.1	12.2	10.9	12.0	12.2	10.5	11.0	11.9	10.6		20
22	9.4	10.6	9.2	10.4	10.5	8.8	9.3	10.2	8.8		22
24	8.0	9.2	7.8	9.0	9.3	7.4	7.9	8.8	7.5		24
26	6.8	8.2	6.6	7.8	8.2	6.2	6.7	7.8	6.3		26
28	5.8	7.1	5.7	6.8	7.1	5.2	5.7	6.9	5.3		28
30			4.8	6.0	6.3	4.4	4.9	5.9	4.5		30
32			4.1	5.3	5.6	3.7	4.2	5.2	3.8		32
34						3.1	3.5	4.5	3.2		34
36						2.5	3.0	4.0	2.6		36
38									2.1		38
40									1.7		40
组合 Code	111111	011112	121111	012112	011122	222111	122111	111122	222111	组合 Code	

m											m
	45 m	45 m	48.7 m	48.7 m	48.7 m	52.4 m	52.4 m	56.1 m	60 m		
8	22.7	21.7									8
9	21.7	20.8	20.9	20.1	18.6						9
10	20.8	19.9	20.7	19.3	17.8	17.4	16.2				10
12	19.0	18.2	19.3	17.6	16.2	17.1	15.2	14.1	11.7		12
14	17.4	16.6	16.8	15.5	14.8	15.5	13.4	13.8	11.5		14
16	16.2	15.0	14.7	13.7	13.3	13.7	12.3	12.2	11.2		16
18	13.6	14.0	13.0	12.2	11.9	12.1	11.0	10.8	9.8		18
20	11.4	12.0	10.8	11.3	10.8	10.9	10.0	9.7	8.9		20
22	9.7	10.3	9.1	9.7	9.8	9.7	9.1	8.7	8.0		22
24	8.3	8.9	7.7	8.3	8.9	8.1	8.4	7.8	7.2		24
26	7.1	7.7	6.5	7.1	7.7	7.0	7.5	7.0	6.5		26
28	6.1	6.7	5.5	6.2	6.7	6.0	6.5	6.1	5.8		28
30	5.3	5.9	4.7	5.3	5.8	5.2	5.8	5.3	4.9		30
32	4.6	5.1	4.0	4.6	5.1	4.4	4.9	4.6	4.3		32
34	3.9	4.5	3.4	4.0	4.4	3.8	4.3	3.8	3.8		34
36	3.4	4.1	2.8	3.4	3.7	3.3	3.7	3.4	3.2		36
38	2.9	3.6	2.3	2.9	3.3	2.8	3.2	2.8	2.9		38
40	2.5	3.0	1.9	2.5	2.8	2.3	2.8	2.3	2.3		40
42			1.5	2.1	2.4	1.9	2.3	2.1	2.1		42
44						1.6	1.9	1.7	1.7		44
46						1.3	1.6	1.4	1.4		46
48								1.1	1.1		48
组合 Code	211122	111222	222211	122221	112222	222122	122222	222222	333333	组合 Code	

起升高度曲线图 Lifting heights

副臂
Jib



起重性能表

Lifting capacities

T 48.7~56.1m

m	48.7 m			52.4 m			56.1 m			m
	10.6 m			10.6 m			10.6 m			
	0°	15°	30°	0°	15°	30°	0°	15°	30°	
12	9.6			8.2						12
14	9.5	9.4		8.1			6.5			14
16	9.3	9.2		8.0	8.0		6.4	6.5		16
18	9.1	8.7	8.2	8.0	7.8	7.6	6.4	6.4		18
20	8.1	7.7	7.4	7.1	6.9	6.7	6.3	6.2	6.1	20
22	7.1	6.8	6.7	6.3	6.1	6.0	5.6	5.4	5.4	22
24	6.3	6.1	6.0	5.6	5.5	5.4	5.0	4.9	4.8	24
26	5.6	5.5	5.4	4.9	4.9	4.8	4.4	4.3	4.3	26
28	5.1	5.0	4.9	4.4	4.4	4.4	3.9	3.8	3.8	28
30	4.6	4.5	4.4	3.9	3.9	3.9	3.4	3.4	3.4	30
32	4.1	4.1	4.1	3.5	3.5	3.5	3.0	3.1	3.0	32
34	3.7	3.7	3.7	3.1	3.1	3.2	2.6	2.7	2.7	34
36	3.3	3.3	3.3	2.8	2.8	2.8	2.3	2.4	2.4	36
38	3.0	3.0	3.0	2.5	2.5	2.5	2.1	2.1	2.1	38
40	2.6	2.7	2.7	2.1	2.2	2.3	1.8	1.9	1.9	40
42	2.2	2.3	2.5	1.8	2.0	2.0	1.5	1.6	1.7	42
44	1.7	2.0	2.1	1.5	1.6	1.8	1.2	1.2	1.4	44
46	1.4	1.6	1.7	1.2	1.3	1.4	0.8	1.0	1.0	46
48	1.1	1.2	1.3	1.0	1.0	1.2		0.8	0.8	48
50	0.8	0.9	1.0		0.8	1.0				50
组合 Code	221122			222122			222222			组合 Code

m	48.7 m			52.4 m			56.1 m			m
	18.1 m			18.1 m			18.1 m			
	0°	15°	30°	0°	15°	30°	0°	15°	30°	
12	5.0									12
14	4.8			4.3			3.8			14
16	4.7			4.2			3.8			16
18	4.5	4.2		4.2			3.7			18
20	4.5	4.0		4.0	3.8		3.7	3.6		20
22	4.3	3.9	3.5	4.0	3.7		3.6	3.5		22
24	4.2	3.8	3.4	3.9	3.6	3.4	3.6	3.4		24
26	4.0	3.7	3.3	3.9	3.5	3.3	3.5	3.4	3.4	26
28	3.9	3.6	3.3	3.8	3.5	3.3	3.5	3.3	3.3	28
30	3.8	3.6	3.3	3.6	3.4	3.3	3.2	3.2	3.2	30
32	3.7	3.5	3.3	3.3	3.3	3.2	2.8	2.8	2.9	32
34	3.4	3.4	3.2	2.9	2.9	3.0	2.4	2.5	2.6	34
36	3.1	3.1	3.1	2.5	2.6	2.7	2.2	2.3	2.3	36
38	2.8	2.8	2.8	2.3	2.4	2.4	1.9	2.0	2.1	38
40	2.5	2.5	2.6	2.0	2.1	2.2	1.6	1.7	1.8	40
42	2.2	2.3	2.3	1.8	1.9	1.9	1.4	1.5	1.6	42
44	2.0	2.1	2.1	1.6	1.7	1.7	1.2	1.3	1.4	44
46	1.8	1.8	1.9	1.4	1.5	1.5	0.9	1.1	1.2	46
48	1.4	1.7	1.7	1.2	1.2	1.3		0.8	1.0	48
50	1.2	1.5	1.5	1.0	1.0	1.1				50
52	0.9	1.2	1.4	0.8	0.8	0.8				52
54		0.9	1.1							54
56			0.8							56
组合 Code	221122			222122			222222			组合 Code

起重性能表

Lifting capacities

T 48.7~56.1m

m	48.7-56.1 m			7 m			18.1 m			8.76m×7m			360°			28.7 t			m							
	T			V			F																			
	48.7+7 m									52.4+7 m										56.1+7 m						
18.1 m									18.1 m									18.1 m								
0°			15°			30°			0°			15°			30°			0°			15°			30°		
14	3.5						3.2																	14		
16	3.4						3.1																	16		
18	3.3						3.1																	18		
20	3.3						3.1																	20		
22	3.3	3.3					3.0	3.0																22		
24	3.3	3.2					3.0	3.0																24		
26	3.2	3.2	3.1				3.0	2.9																26		
28	3.2	3.1	3.0				3.0	2.9	2.8															28		
30	3.1	3.0	2.8				2.9	2.8	2.7															30		
32	3.0	2.9	2.8				2.8	2.8	2.7															32		
34	2.8	2.7	2.7				2.5	2.6	2.6															34		
36	2.7	2.6	2.6				2.2	2.3	2.4															36		
38	2.4	2.5	2.5				1.9	2.1	2.2															38		
40	2.1	2.2	2.3				1.7	1.8	1.9															40		
42	1.9	2.0	2.0				1.5	1.6	1.7															42		
44	1.7	1.8	1.8				1.3	1.4	1.5															44		
46	1.5	1.6	1.6				1.0	1.0	1.3													0.8		46		
48	1.3	1.4	1.4					0.8	1.0															48		
50	1.1	1.2	1.3						0.8															50		
52	0.8	1.0	1.1																					52		
54		0.8	0.8																					54		
组合 Code	221122						222122						222222						组合 Code							

m	48.7-56.1 m			14 m			18.1 m			8.76m×7m			360°			28.7 t			m							
	T			V			F																			
	48.7+14 m									52.4+14 m										56.1+14 m						
18.1 m									18.1 m									18.1 m								
0°			15°			30°			0°			15°			30°			0°			15°			30°		
16	2.4						2.2																	16		
18	2.3						2.2																	18		
20	2.3						2.1																	20		
22	2.3	2.4					2.1																	22		
24	2.3	2.4					2.1	2.2																24		
26	2.2	2.3					2.0	2.2																26		
28	2.2	2.3	2.3				2.0	2.1																28		
30	2.2	2.2	2.2				2.0	2.1	2.0															30		
32	2.2	2.2	2.1				2.0	2.0	2.0															32		
34	2.1	2.2	2.1				2.0	2.0	2.0															34		
36	2.0	2.1	2.0				1.9	1.9	2.0															36		
38	2.0	2.0	1.9				1.6	1.8	1.9															38		
40	1.8	1.8	1.8				1.4	1.5	1.7															40		
42	1.6	1.7	1.8				1.0	1.3	1.4															42		
44	1.4	1.5	1.6					1.0	1.0															44		
46	1.0	1.3	1.4																					46		
48		1.0	1.2																					48		
组合 Code	221122						222122						222222						组合 Code							

主要技术参数表

Table of main technical parameters

类别 Category	项目 Item	单位 Unit	参数 Parameter	
尺寸参数 Dimensions	外形尺寸 (长×宽×高) Dimensions (length×width×height)	mm	13870×2750×4000	
	轴距 Wheel base	mm	1600+2475+1650	
	轮距 (前/后) Track (Front/ Rear)	mm	2340/2340	
	前悬/后悬 Front/ Rear overhang	mm	3440/2250	
	前伸/后伸 Front/ Rear extension	mm	1295/465	
重量参数 Weight	行驶状态总质量 GVW in travel configuration	kg	51200	
	轴荷 Axle load	一轴 1st axle	kg	13000
		二轴 2nd axle	kg	13000
		三轴 3rd axle	kg	12600
		四轴 4th axle	kg	12600
动力参数 Power	上车发动机 Superstructure engine	型号 Model	--	QSB5.9-C210-30
		额定功率/转速 Rated power/rpm	kw/(r/min)	154/2200
		最大输出扭矩/转速 Max. output torque/rpm	N.m/(r/min)	850/1500
	下车发动机 Chassis engine	型号 Model	--	WP12.430E50
		额定功率/转速 Rated power/rpm	kw/(r/min)	316/1900
		最大输出扭矩/转速 Max. output torque/rpm	N.m/(r/min)	2060/1000-1400
行驶参数 Travel	行驶速度 Travel speed	最高车速 Max. travel speed	km/h	60
		最低稳定车速 Min. stable travel speed	km/h	≤3
	转弯直径 Turning diameter	最小转弯直径 Min. turning diameter	m	≤15
		臂头最小转弯直径 Min. turning diameter at boom tip	m	≤19.7
	最小离地间隙 Min. ground clearance		mm	280
	接近角 Approach angle		°	17
	离去角 Departure angle		°	16.5
	制动距离 (制动初速度为30km/h) Braking distance (at 30 km/h)		m	≤10
	最大爬坡能力 Max. grade ability		%	≥60
	百公里油耗 Fuel consumption per 100 km		L	60
	加速行驶机外噪声 Exterior noise level when accelerating		dB(A)	≤84
	驾驶员耳旁噪声 Noise level at seated position		dB(A)	≤90

主要技术参数表

Table of main technical parameters




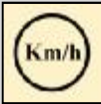



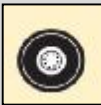






类别 Category	项目 Item		单位 Unit	参数 Parameter	
主要性能参数 Main performance	最大额定总起重量 Max. total rated lifting capacity		t	100*	
	最小工作幅度 Min. working radius		m	3	
	转台尾部回转半径 Turning radius at turntable tail	平衡重处 At counterweight	mm	4230	
		副卷处 At auxiliary winch	mm	4510	
	最大起重力矩 Max. load moment	基本臂 Base boom	kN.m	2689	
		中长臂 Medium boom	kN.m	3009	
		最长主臂 Fully-extended boom	kN.m	1923	
		最长主臂+副臂 Fully-extended boom + Jib	kN.m	372	
	支腿跨距 Outrigger span	纵向Longitudinal	m	8.76	
		横向Lateral	m	7	
	起升高度 Lifting height	基本臂 Base boom	m	11.7	
		最长主臂 Fully-extended boom	m	60.6	
		最长主臂+副臂 Fully-extended boom + Jib	m	88	
	起重臂长度 Boom length	基本臂 Base boom	m	11.7	
最长主臂 Fully-extended boom		m	60		
最长主臂+副臂 Fully-extended boom + Jib		m	88.2		
副臂安装角 Jib offset angle		°	0/15/30		
工作速度参数 Working speed	起重臂起臂时间 Time for raising the boom		s	≤50	
	起重臂全伸时间 Time for fully extending the boom		s	≤600	
	最大回转速度 Max. slewing speed		r/min	≥1.7	
	支腿收放时间 Time for extending and retracting outriggers	水平支腿 Outrigger beam	收 Retracting	s	≤30
			放 Extending	s	≤40
		垂直支腿 Outrigger jack	收 Retracting	s	≤30
			放 Extending	s	≤40
起升速度 Hoisting speed	主起升机构 Main winch (单绳, 第5层 Single line, 5th layer)	空载No load	m/min	≥130	
	副起升机构 Auxiliary winch (单绳, 第2层 Single line, 2nd layer)	空载No load	m/min	≥97	
噪声 Noise	机外辐射 Exterior noise level		dB (A)	≤122	
	操纵室内Noise level at seated position		dB (A)	≤90	

符号标识

Description of symbols

常规标识

General symbols

	支腿 Outriggers		车桥 Axle
	工作幅度 Radius		行驶速度 Driving speed
	吊臂仰角 Boom angle		爬坡能力 Grade ability
	吊臂长度 Boom length		轮胎 Tires
	吊钩 Hook block		平衡重 Counterweight
	360°全回转 360° operation of the boom		上车 Superstructure
	卷扬 Winch		底盘 Chassis

起重作业标识

Crane specific symbols

	主臂 Boom		副臂 Jib
---	------------	---	-----------

注意事项

Notes

1. 表中额定总起重量值，是在平整的坚固地面上本起重机能够保证的最大总起重量，包括吊钩和吊具的重量，所以为了估算重物重量，必须减去上述的装置重量。
2. 表中的工作幅度为起吊重物离地时起重物到起重机回转轴线的水平距离，是包括起重臂变形量在内的实际值，因而起吊前应考虑起重臂变形量。
3. 只允许在5级(瞬时风速14.1m/s，风压125N/m²)风以下进行作业。
4. 吊重前操作者必须对物体的重量和工作范围了解后选择合适的作业工况，严禁超出表中的数值。幅度及臂长在相邻两个数值之间时，应依据两个数值中较小值确定起重作业。
5. 应按主臂仰角范围作业，即使是空载，也不应使主臂仰角处于范围外，谨防整机倾翻。
6. 表中的主臂长度应要按照每节臂的伸缩要求进行伸出。

1. The total rated load given in the rated load charts are the maximum lifting capacity when the crane is set up on firm and level ground. The total rated load includes the weight of the hook block and slings. The weight of above-mentioned devices should be deducted from the rated lifting load.
2. The working radius shown in the rated load charts is the radius when the load is lifted off the ground, and it is the actual value including loaded boom deflection. Take boom deflection into consideration before beginning a lifting operation.
3. A lifting operation is permissible only when the wind force is below grade 5 (instantaneous wind speed is 14.1 m/s, wind pressure is 125 N/m²).
4. Before beginning lifting operation, the operator should know the weight of the load to be lifted and its working range, and then select proper working conditions. Never operate the crane beyond the limit shown in the chart. Use the lower value from the chart when the boom length or working radius is between the range of values.
5. Do not extend the boom into areas of the load chart where the crane does not have capacity beyond the angles shown in the range diagrams, or tipping may occur.
6. The boom should be extended according to the telescoping code shown by digits, which means the percentage of boom sections extended.



地址：江苏省徐州市经济技术开发区高新路68号
Add : No. 68 Gaoxin Road,
Economic and Technological Development Zone,
Xuzhou, Jiangsu, China
电话(Tel) : +86-516-83462242/83462350
质量监督电话(Quality Inquiry Tel) : +86-516-
87888268
备件电话(Spare Parts Tel) : +86-516-83461542
邮编(Post Code) : 221004
网址(Web) : www.xcmg.com/qizhongji

服务热线 Service Tel

400-110-9999

400-001-5678



本印刷品不属于合同。出于产品不断改进的需要，我们保留对产品型号、参数、配置进行变更的权利，恕不另行通知。图片仅供参考，具体产品以实物为准。图片中产品可能并非标准配置，部分部件可能需要另行购置。办理牌照和上路行驶需遵守当地法规。

This print does not belong to the contract. We reserve the right to modify the design (such as product model, parameters and configuration) without notice for improvement. The pictures are just for reference. The product in the picture may not be standard configuration. Some parts need to be purchased separately. Conform to the local laws for license application and road traveling.