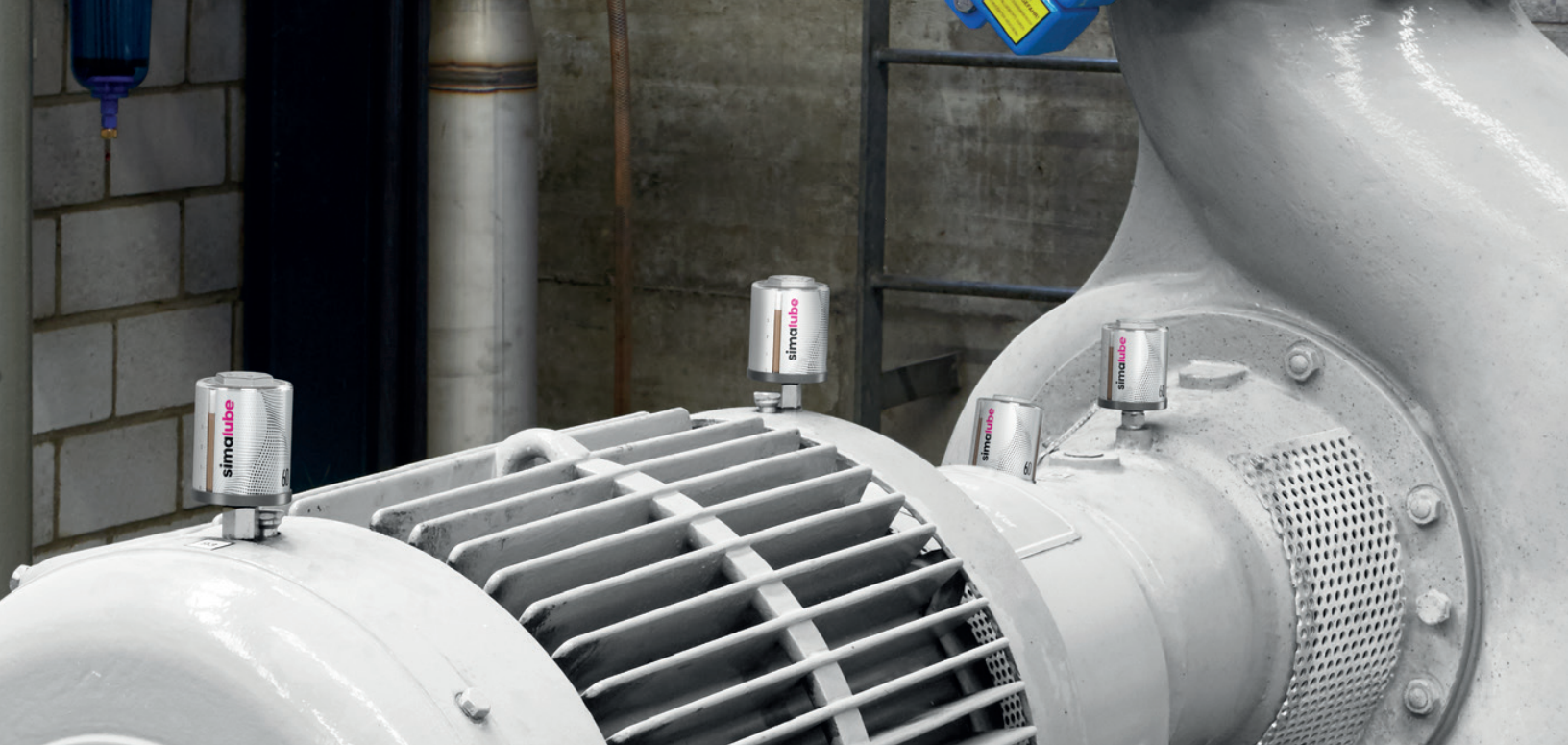


Automatic lubricators



simalube

 SWISS MADE



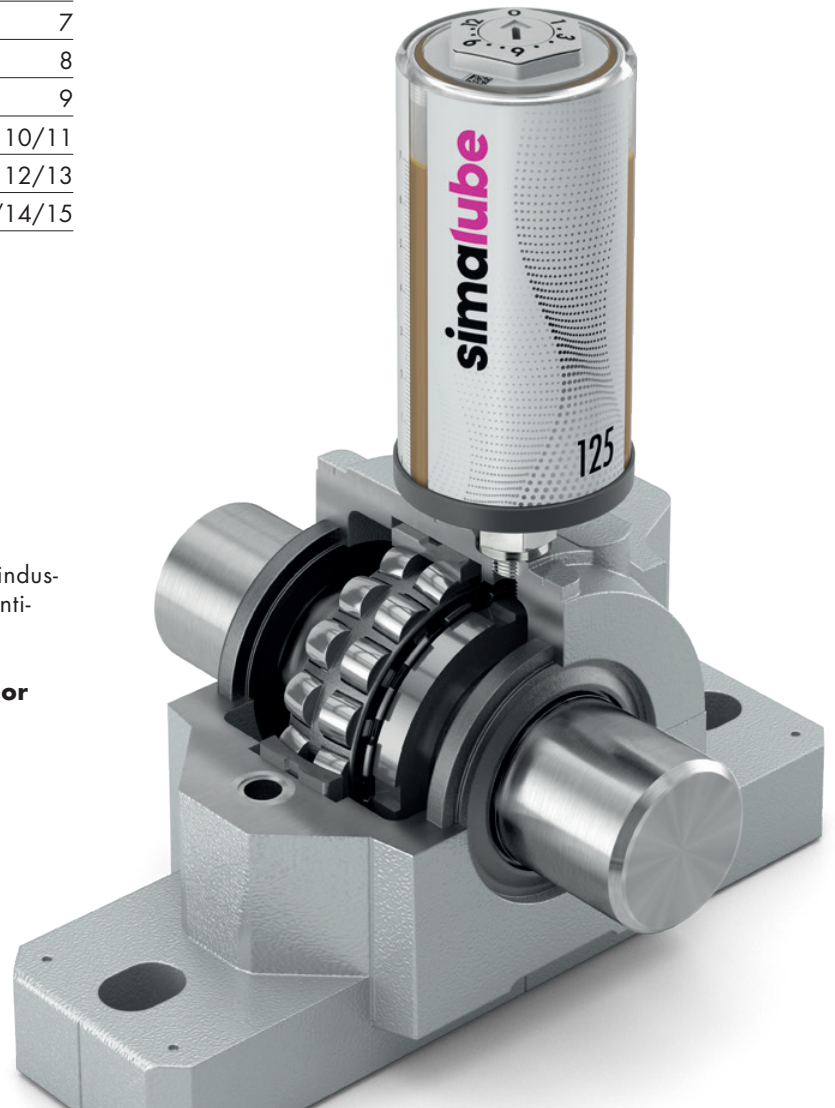
simalube

Advantages of automatic lubrication with simalube	3
simatec app «simatec world of maintenance»	4
simalube – the lubrication expert	5/6
simalube 15 ml	7
simalube IMPULSE connect	8
simalube multipoint	9
Applications	10/11
Standard lubricants	12/13
Accessories	13/14/15

simalube: continuous lubrication ensures low costs and high reliability

Millions of simalube lubricators are used worldwide in every industry. They are the best and most economical solution for the continuous supply of grease or oil for periods of up to one year.

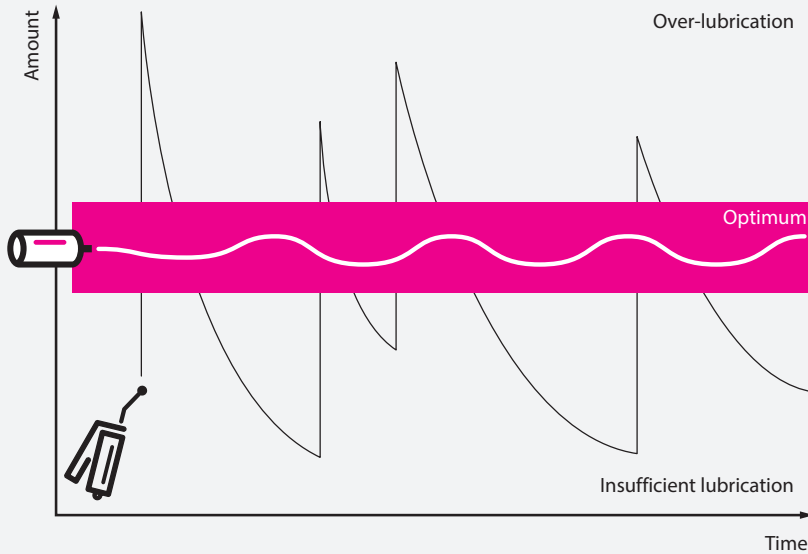
simalube – everywhere forces act, something spins or something moves.



Advantages of automatic lubrication with simalube

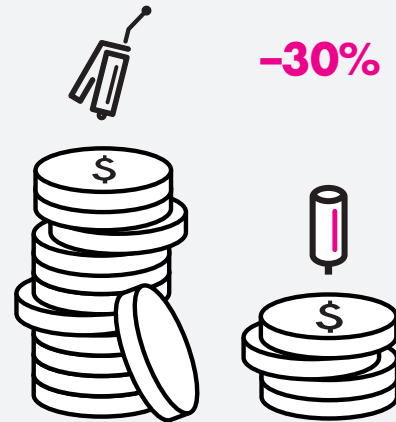
simalube lubricators replace costly manual lubrication. This not only saves time, but also prevents insufficient or over-lubrication. The costs can thus be reduced by up to 30 percent.

Optimized lubricant delivery



Continuous lubricant delivery with simalube effectively prevents insufficient or over-lubrication that often occurs with manual lubrication.

Lower costs thanks to simalube



Up to 30 percent lower costs:

- Time-saving and greater safety at work thanks to fewer maintenance intervals
- Longer machine service life and less unplanned down-time

Your benefits of automatic lubrication with simalube



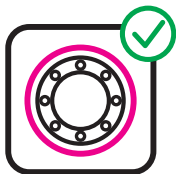
No more manual lubrication

- Saves time
- Greater work safety
- Hard-to-reach lubrication points are permanently supplied
- Lower lubricant consumption



No under- or over-lubrication of components

- Less wear
- Less machine downtime
- Increased machine performance



Sealed, dustproof and waterproof system

- No more confusion of lubricants
- Reduced risk of contamination
- No contamination of lubrication points



Compliance with international standards

- Ex certified in all zones
- Improved workplace safety
- No environmental impact thanks to recycling and disposal according to regulations



READY TO LIFT OFF TO THE WORLD OF MAINTENANCE

Explore the next level of automatic lubrication: **simalube IMPULSE connect**



simatec app «simatec world of maintenance»

With the simatec app «simatec world of maintenance», simatec ag has created a platform for simpler and more efficient management of lubrication work. The app offers the user the options of recording lubrication points, recording the required parameters for lubrication and controlling or monitoring all activities related to lubrication.

Your personal simatec assistant for efficient and connected monitoring

Functionality

- Configuration and monitoring of lubrication points with the «simatec world of maintenance» app
- Creation of electronic lubrication schedules (Lubechart)
- Calculation program for the correct setting of your lubricators (Calculation Pro)

Customer benefits

- simatec products can be controlled with the «simatec world of maintenance» app
- Creation of personalized, electronic lubrication plans with continuous monitoring of all lubrication points
- Thanks to the new Lubechart feature, all lubrication points (manual/automatic) can be managed
- Cost savings thanks to safe, simplified and efficient maintenance operations
- Installation videos help with the correct installation of the products
- No production interruptions for maintenance and monitoring purposes, resulting in higher availability of the production facilities



Get the app «simatec world of maintenance»



The lubrication expert



simalube – the automatic single-point lubricator

Available in 5 sizes, simalube supplies various lubrication points with lubricant around the clock. Day in, day out – for up to one year.

Take advantage of the simalube benefits

Reliability

- Lubrication points are continuously supplied with lubricant
- No lubrication point is missed
- Easy monitoring of the dispensing process thanks to the transparent housing

Environmental sustainability

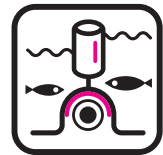
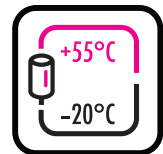
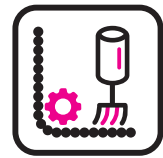
- simalube can be refilled up to 3 times
- Easy disposal at the end of the dispensing cycle
- simalube lubricators do not contain toxic substances

Flexibility

- simalube is available in 5 sizes: 15, 30, 60, 125 and 250 ml
- Freely selectable dispensing cycle of 1 to 12 months
- Dispensing cycle can be modified anytime
- simalube is available filled or empty for self-filling

Unlimited range of uses (see pages 10/11)

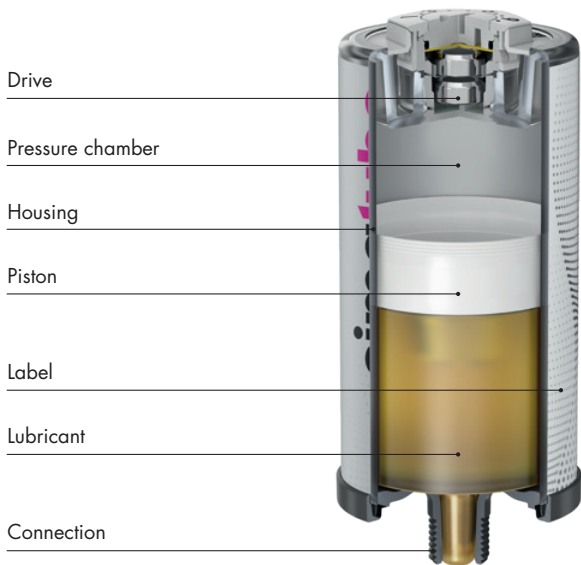
- In confined and hard-to-reach spaces
- In any location, even underwater
- At ambient temperatures of -20°C to $+55^{\circ}\text{C}$
- Numerous installation options thanks to a large range of accessories
- The standard lubricant range includes modern and proven high-performance lubricants for all applications (see pages 12/13)



For more technical information, see
www.simatec-usa.com/en/simalube/overview/technical-data



Components

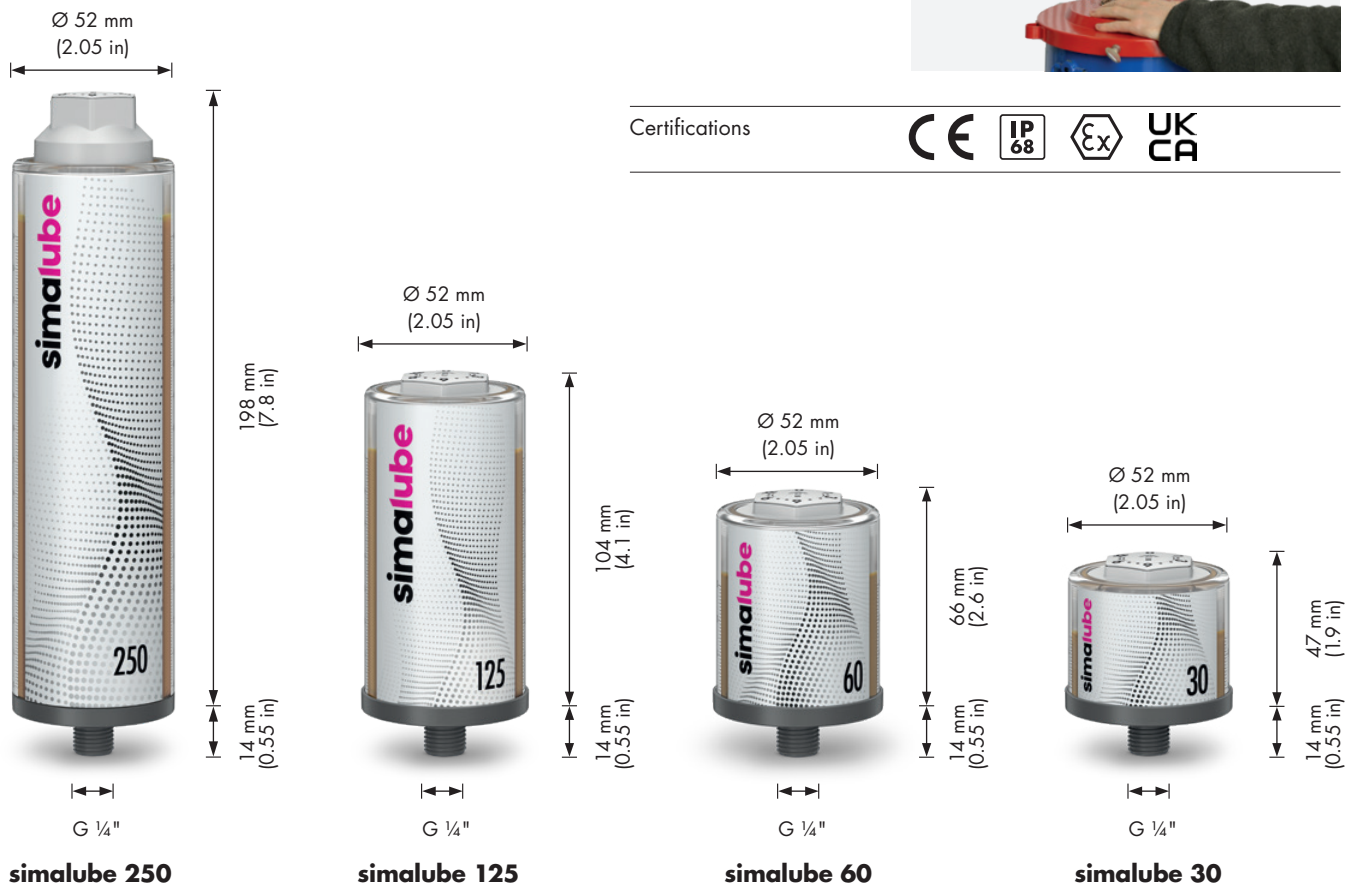


Specifications

Product	Automatic long-term grease and oil lubricator			
Power generation	Hydrogen gas producing drycell			
Working pressure	Max. 72.5 psi			
Adjustment	Stepless 1–12 months (for standard conditions)			
Operating temperature	–4 °F to +131 °F ambient temperature (Grease consistency changes with temperature)			
Storage temperature	Recommended at 68 °F ±41 °F			
Lubricator volume	30 ml	60 ml	125 ml	250 ml
Weight full	~83 g	~117 g	~191 g	~380 g
Weight empty	~56 g	~65 g	~80 g	~154 g
Refill	The 15–250 ml simalubes are refillable.			



Certifications



simalube 15 ml



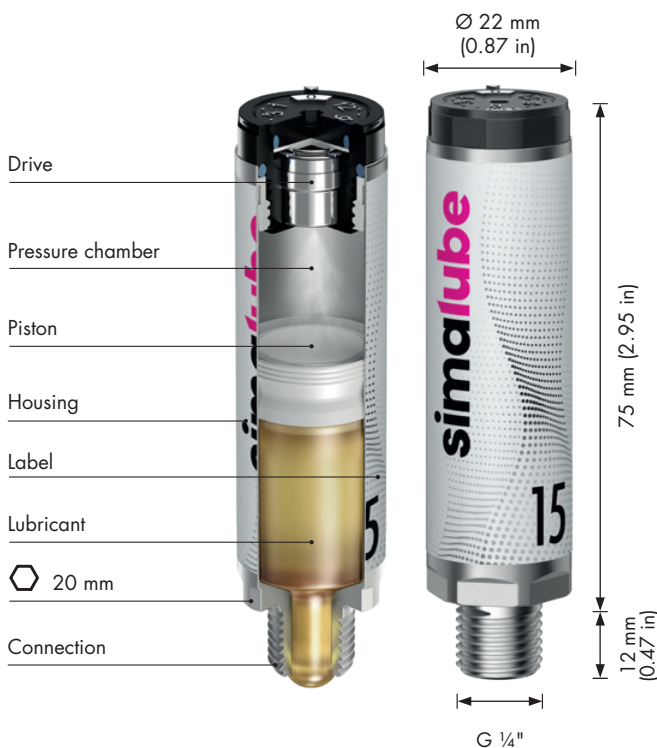
The smallest automatic lubricator

In confined spaces, the 15 ml simalube offers the perfect solution. With its compact size, it is unique on the global market as the smallest automatic lubricator. It functions the same as the larger simalube lubricators and offers the same advantages.





Small size delivers big performance

- Space-saving thanks to compact size
- Robust aluminium enclosure
- Same refill, installation and function as other simalube lubricators
- Alternative to the simalube multipoint when less than 5 lubrication points are needed (see page 9)

Dimensions



Specifications

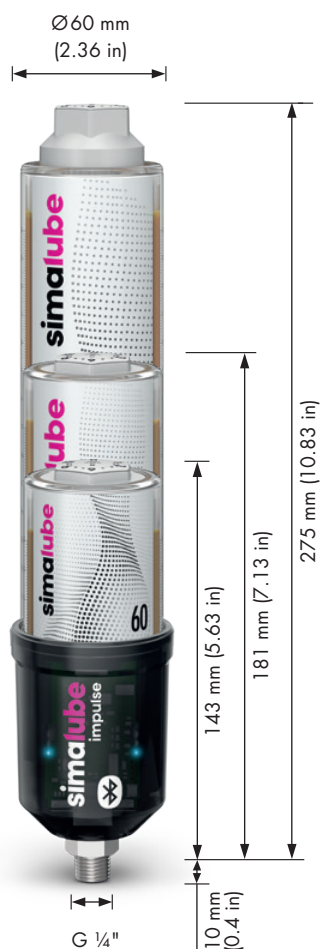
Product	Automatic, long-term grease and oil lubricator
Power generation	Hydrogen gas producing drycell
Working pressure	Max. 72.5 psi
Adjustment	Stepless 1–12 months (for standard conditions)
Operating temperature	–4 °F to +131 °F ambient temperature (Grease consistency changes with temperature)
Storage temperature	Recommended at 68 °F ±41 °F
Lubricator volume	15 ml
Weight full/empty	~36 g / ~22,5 g
Certifications	   

simalube IMPULSE connect



Digital pressure booster up to 145 psi

The simalube IMPULSE connect is the latest generation of the pressure booster from the simalube family. The proven functions of the IMPULSE have been supplemented with the option of connecting the device to a smartphone via Bluetooth®. In connection with the newly developed «simatec world of maintenance» app, the devices can be easily configured and then monitored without having to be directly at the lubrication point. Information such as general status, fill level, lubricant, size, start and change date etc. is displayed to the user and easy to read in the app.



Technical data

Product	Automatic pressure booster for the simalube lubricator
Drive system	Electromechanical
Power supply	Battery pack* 6 V 2.3 Ah (Alkaline)
Function display	LED status display – green/red/blue every 10 seconds. Monitoring of the operating status via the «simatec world of maintenance» app.
Connectivity**	IMPULSE connect supports Bluetooth® Low Energy 5.0 standard. The connection can reach up to 20 m in an interference free open field environment.
Dispensing volume	0.5 ml per stroke (Impulse)
Working pressure	Up to 145 psi
Operating temperature	14 °F to 131 °F
Time setting	1 to 12 months – determined by the setting on the simalube «Automatic» mode or the «Time» mode preselected with the app.
Lubrication rate	Depends on the size and settings of the simalube: 0.17 to 8.3 ml/day
Lubricator volume	60 ml, 125 ml, 250 ml
Lubricant	Lubricant greases up to NLGI 2 or oils
Connection thread	G ¼" (with integrated non-return valve)
Warranty & period of use	3 years from the production date or until 10 simalube lubricators (125 ml) have been emptied
Protection rating	CE IP 68

* The battery pack must be replaced every time the lubricator is replaced.

** The IMPULSE connect can be used without the app.

<https://simatec-usa.com/en/simalube/simalube-impulse-connect>



More technical information and a video for simalube IMPULSE connect can be found at www.simatec-usa.com/en/simalube/simalube-impulse-connect



simalube multipoint



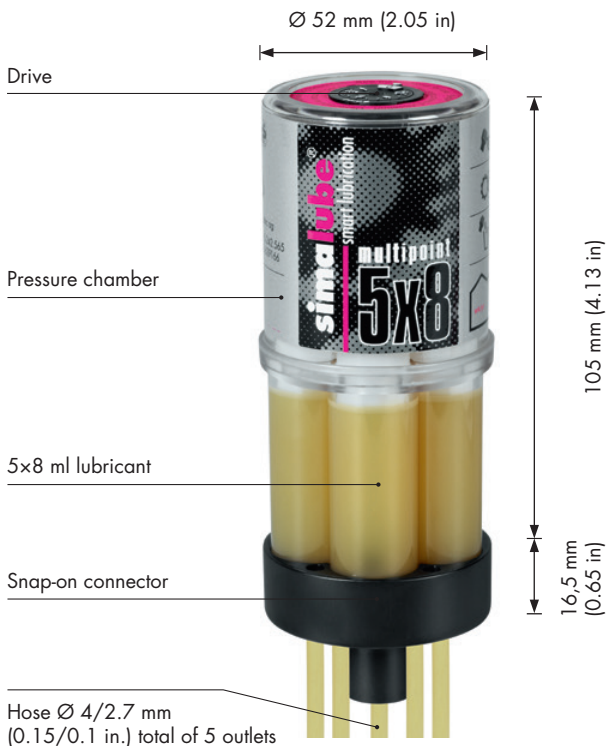
Automatic multi-point lubricator

The simalube multipoint supplies 5 lubrication points simultaneously for up to one year in the same reliable way as the other proven simalube lubricators. Thanks to the snap-on connector, simalube multipoint can be replaced easily and quickly when empty.

The versatile lubricator for linear guides

- 5x8 ml lubricant volume
- Allows very low lubricant delivery over a long period of time
- Snap-on connector for multipoint
- Quick couplings for connecting hoses
- Ideally suited for lubrication of linear guides

Dimensions



Specifications

Product	Automatic, multi-point, long-term lubricators for grease and oil
Power generation	Hydrogen gas producing drycell
Working pressure	Max. 72.5 psi
Adjustment	Stepless 1–12 months (for standard conditions)
Operating temperature	14 °F to +131 °F ambient temperature (grease consistency changes with temperature)
Storage temperature	Recommended at 68 °F ±41 °F
Lubricator volume	5x8 ml
Weight full/empty	~147 g / ~120 g
Certifications	CE Ex UK CA

simalube applications

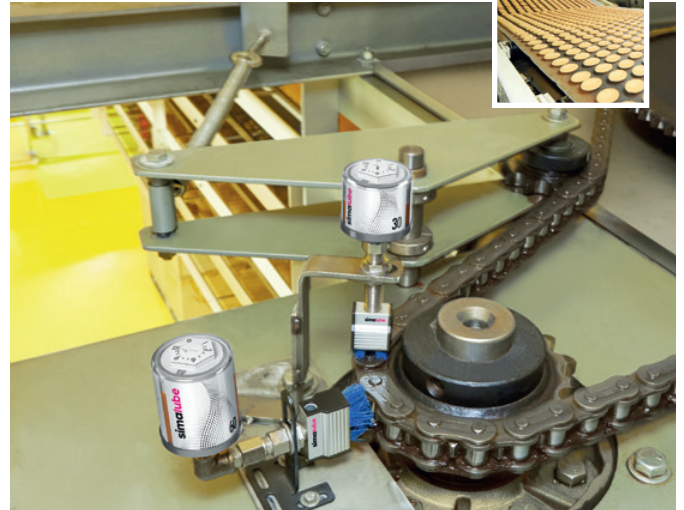


Lifting devices



The spindles of a lifting station for railway wagons and locomotives are lubricated with 125 ml simalube over 12 months.

Food industry



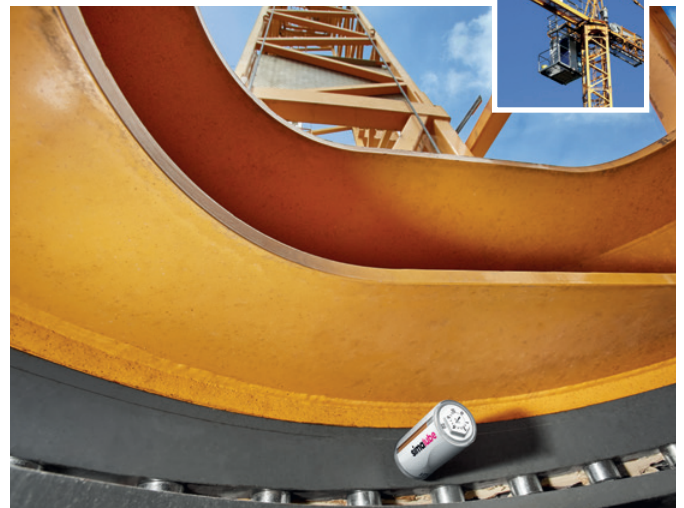
The drive chain of a transport belt, which allows rolls to cool, is cleaned with special blue brushes and lubricated with 2 simalube SL18 in 30 and 60 ml sizes.

Gravel and concrete plants



Two 250 ml simalube lubricators with brushes lubricate and clean the chain drive of a drum washing machine.

Cranes



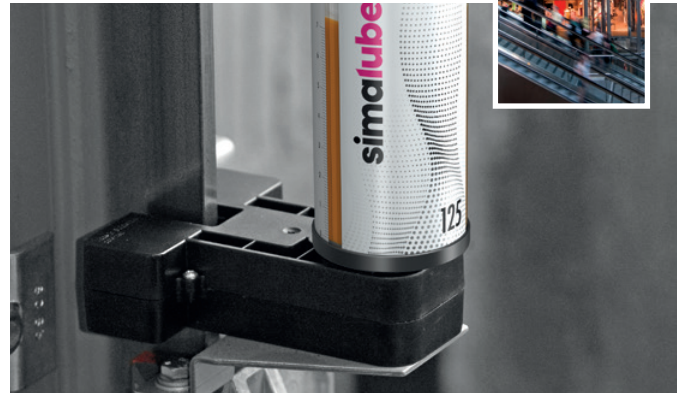
125 ml simalube lubricators lubricate the rotating assembly of a crane.

Gravel and concrete plants



The simalube IMPULSE connect with a 125 ml lubricator is used in gravel plants. The devices are configured and monitored via the «simatec world of maintenance» app.

Elevators and escalators



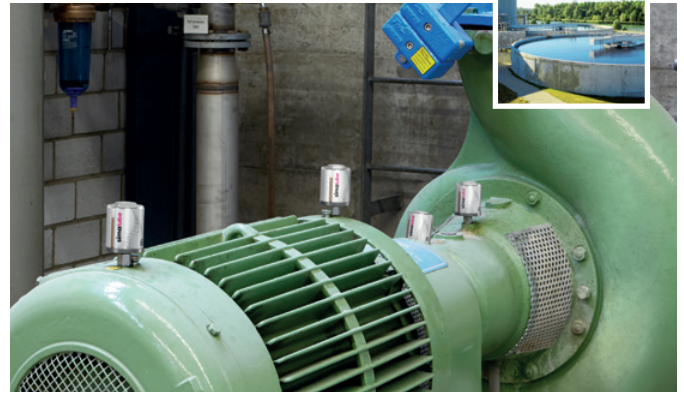
The 125 ml simalube maintains the guide rails of elevators and prevents dry friction. The system is attached directly to the cabin roof.

Printing industry



A simalube multipoint can lubricate 5 linear guides of a cutting and paper stacking machine in a printing house.

Water and sewage treatment plants



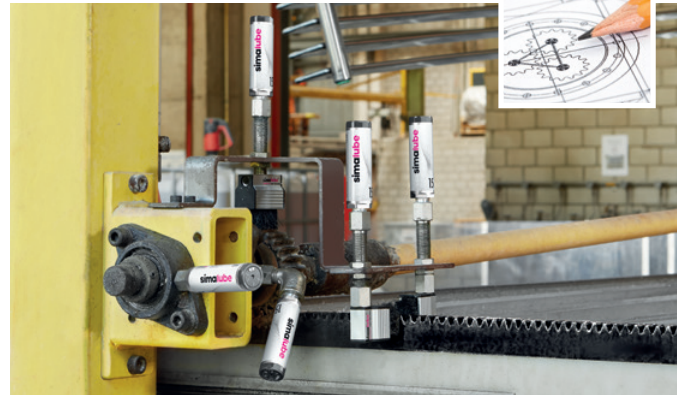
60 ml lubricators on the electric motor and the drive shaft ensure continuous lubrication of a centrifugal pump.

Recycling



A 125 ml simalube lubricates the pedestal bearing of a conveyor belt.

Machinery and plant engineering



15 ml simalube lubricators with brushes constantly supply the rack of a loading machine with oil. Additional 15 ml simalube lubricators lubricate the flange bearings with grease.












Many other applications can be found at
www.simatec-usa.com/en/simalube/industries



simalube standard lubricants and accessories



GREASE	NLGI	Thickener	Temperature range	Viscosity at 104 °F	Roller bearings	Plain bearings	Linear guides	Gears/Toothed racks	Spindles	Shaft seals	Chains
											
SL01 General multi-purpose industrial grease	2	Lithium	-4 °F to +266 °F	160	+	+	•	•	+	+	-
SL02 High-performance grease with MoS ₂	2	Lithium-Complex	-4 °F to +293 °F	320	•	+	-	+	-	-	-
SL04 High temperature grease	1	Clay	+32 °F to +338 °F	495	+	•	-	•	•	-	-
SL06 Fluid grease	0	Lithium	-4 °F to +266 °F	160	+	+	+	+	•	-	-
SL09 Biodegradable grease	2	Lithium	-40 °F to +248 °F	100	+	+	•	•	-	-	-
SL10 High performance multi-purpose grease for the food industry 	2	Aluminium complex	-4 °F to +248 °F	220	+	+	•	+	•	-	-
SL22 Electric motor bearing grease	2	Polyurea	-4 °F to +320 °F	115	+	•	-	-	+	-	-
SL23 Synthetic high temperature food grade grease 	2	Polyurea	-4 °F to +338 °F	460	+	+	-	-	-	-	-
SL25 High pressure grease	2	Polyurea	-4 °F to +320 °F	235	+	+	•	•	•	-	-

+ recommended • possible - not recommended



Datasheets are available for all greases and oils at www.simatec-usa.com/en/simalube/overview/lubricants



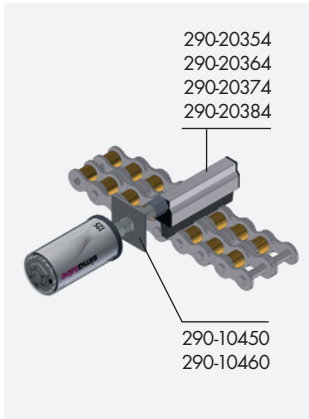
OIL	ISO-VG	Base oil	Temperature range	Viscosity at 104 °F	Roller bearings	Plain bearings	Linear guides	Gears/Toothed racks	Spindles	Shaft seals	Chains
SL14 Chain oil	68	Mineral oil	N/A	68	-	•	•	-	-	-	+
SL15 High temperature chain oil	220	Synthetic oil	-22 °F to +527 °F	220	-	•	•	-	-	-	+
SL18 Food grade oil	68	Synthetic oil	N/A	68	-	•	•	-	-	-	+

+ recommended • possible - not recommended

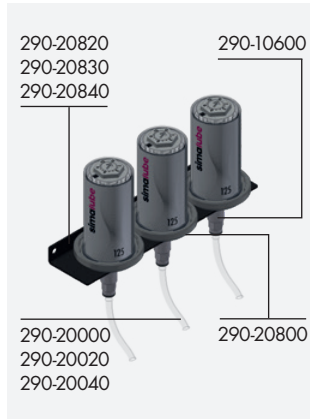
Application examples

The simalube can be easily installed anywhere and in any position with these accessories.

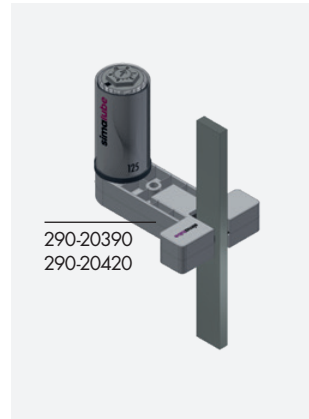
Chain lubrication with lateral connection



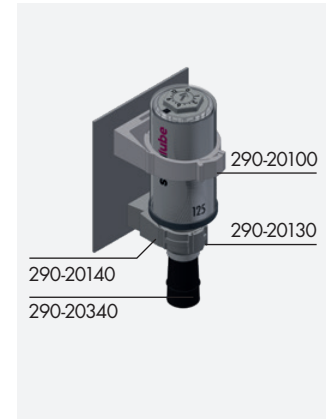
Mounting bracket



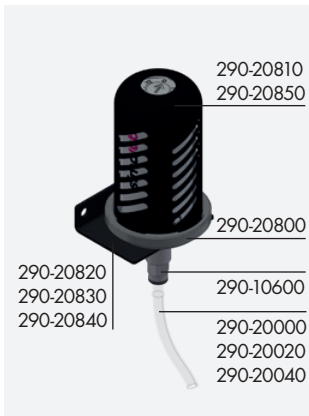
Lubrication of elevator guides or wire ropes



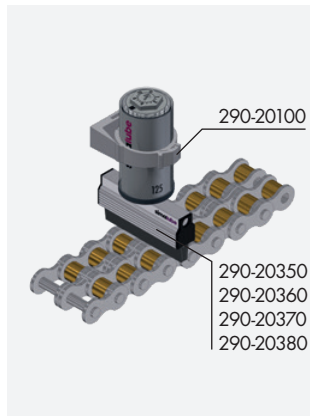
Chain lubrication with round brush and two clamps



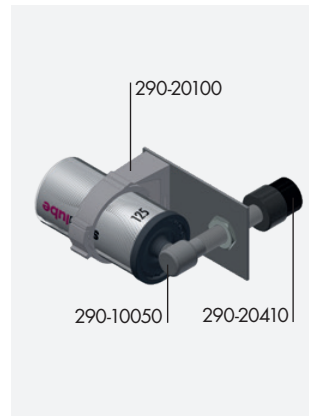
Mounting support with protective cover for simalube



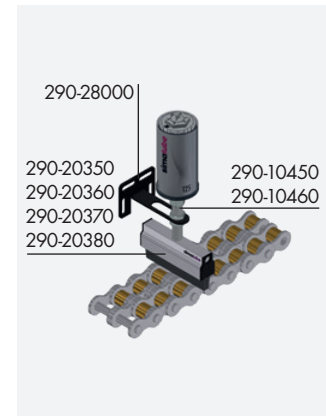
Chain lubrication with clamp



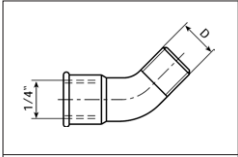
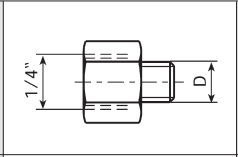
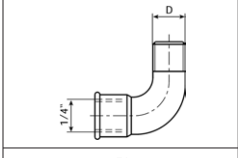
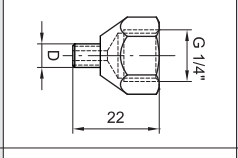
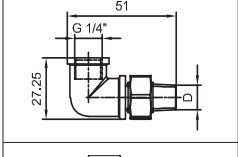
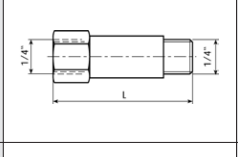
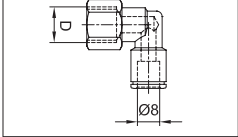
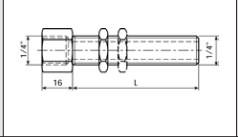
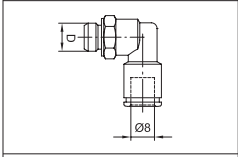
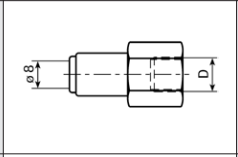
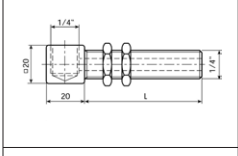
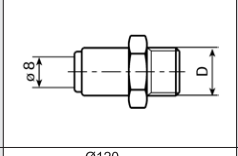
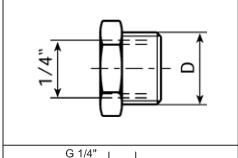
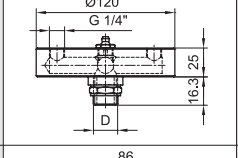
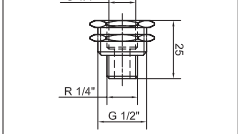
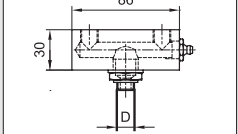
Round brush with 90° connection



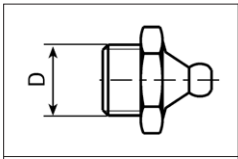
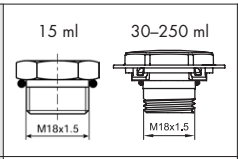
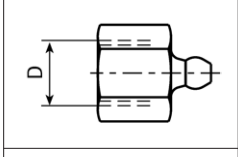
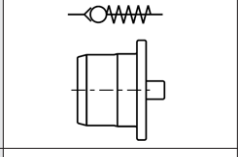
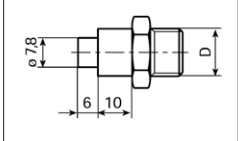
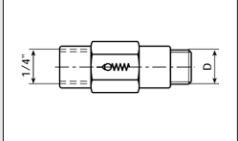
Chain lubrication with bracket, universally adjustable



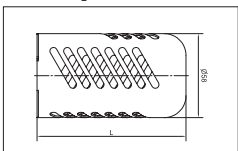
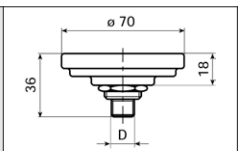
Connections

	<p>Bent connection 45°</p> <p>D R 1/4 Nr. 290-10010</p>		<p>Reducing nipple</p> <table border="1"> <tr> <td>D</td> <td>G 1/8</td> <td>G 1/4</td> <td>M 6</td> <td>M 8</td> <td>M 8x1</td> </tr> <tr> <td>Nr.</td> <td>290-10200</td> <td>290-10210</td> <td>290-10220</td> <td>290-10230</td> <td>290-10240</td> </tr> </table> <table border="1"> <tr> <td>D</td> <td>M 10</td> <td>M 10x1</td> <td>M 12</td> <td>M 12x1,5</td> <td>UNF 1/4</td> </tr> <tr> <td>Nr.</td> <td>290-10250</td> <td>290-10260</td> <td>290-10270</td> <td>290-10280</td> <td>290-11210</td> </tr> </table>	D	G 1/8	G 1/4	M 6	M 8	M 8x1	Nr.	290-10200	290-10210	290-10220	290-10230	290-10240	D	M 10	M 10x1	M 12	M 12x1,5	UNF 1/4	Nr.	290-10250	290-10260	290-10270	290-10280	290-11210
D	G 1/8	G 1/4	M 6	M 8	M 8x1																						
Nr.	290-10200	290-10210	290-10220	290-10230	290-10240																						
D	M 10	M 10x1	M 12	M 12x1,5	UNF 1/4																						
Nr.	290-10250	290-10260	290-10270	290-10280	290-11210																						
	<p>Bent connection 90°</p> <p>D R 1/4 Nr. 290-10020</p>		<p>Reducing nipple strong version</p> <p>Inox</p> <table border="1"> <tr> <td>D</td> <td>M6</td> <td>UNF 1/4</td> </tr> <tr> <td>Nr.</td> <td>290-15000</td> <td>290-15010</td> </tr> </table>	D	M6	UNF 1/4	Nr.	290-15000	290-15010																		
D	M6	UNF 1/4																									
Nr.	290-15000	290-15010																									
	<p>Bent connection 90° swiveling</p> <p>D R 1/4 Nr. 290-10040</p>		<p>Extension</p> <table border="1"> <tr> <td>L</td> <td>10</td> <td>35</td> <td>50</td> <td>[mm]</td> </tr> <tr> <td>Nr.</td> <td>290-10210</td> <td>290-10400</td> <td>290-10410</td> <td></td> </tr> </table>	L	10	35	50	[mm]	Nr.	290-10210	290-10400	290-10410															
L	10	35	50	[mm]																							
Nr.	290-10210	290-10400	290-10410																								
	<p>Rotary elbow for hose Ø 8 mm</p> <p>D G 1/4 Nr. 290-10030</p>		<p>Screwed connection with hole 25 mm incl. 1 nut / 60 mm, incl. 2 nuts</p> <table border="1"> <tr> <td>L</td> <td>25</td> <td>60</td> <td>[mm]</td> </tr> <tr> <td>Nr.</td> <td>290-10450</td> <td>290-10460</td> <td></td> </tr> </table>	L	25	60	[mm]	Nr.	290-10450	290-10460																	
L	25	60	[mm]																								
Nr.	290-10450	290-10460																									
	<p>Rotary elbow for hose Ø 8 mm</p> <p>D G 1/8 G 1/4 Nr. 290-10070 290-10080</p>		<p>Quick connection for hose Ø 8 mm</p> <p>D G 1/4 Nr. 290-10600</p>																								
	<p>Connection 90° with thread incl. 2 nuts (only for oil)</p> <p>L 70 [mm] Nr. 290-10050</p>		<p>Quick connection for hose Ø 8 mm</p> <table border="1"> <tr> <td>D</td> <td>G 1/8</td> <td>G 1/4</td> <td>G 3/8</td> </tr> <tr> <td>Nr.</td> <td>290-10700</td> <td>290-10710</td> <td>290-10720</td> </tr> </table>	D	G 1/8	G 1/4	G 3/8	Nr.	290-10700	290-10710	290-10720																
D	G 1/8	G 1/4	G 3/8																								
Nr.	290-10700	290-10710	290-10720																								
	<p>Connecting nipple</p> <p>D G 3/8 G 1/2 Nr. 290-10100 290-10110</p>		<p>4-fold adapter</p> <table border="1"> <tr> <td>D</td> <td>G 1/2</td> <td>G 1/4</td> </tr> <tr> <td>Nr.</td> <td>290-41000</td> <td>290-41010</td> </tr> </table>	D	G 1/2	G 1/4	Nr.	290-41000	290-41010																		
D	G 1/2	G 1/4																									
Nr.	290-41000	290-41010																									
	<p>Fixation nipple G 1/2" - R 1/4"</p> <p>L 25 [mm] Nr. 290-10150</p>		<p>2-fold adapter</p> <table border="1"> <tr> <td>D</td> <td>G 1/2</td> <td>G 1/4</td> </tr> <tr> <td>Nr.</td> <td>290-41020</td> <td>290-41030</td> </tr> </table>	D	G 1/2	G 1/4	Nr.	290-41020	290-41030																		
D	G 1/2	G 1/4																									
Nr.	290-41020	290-41030																									

Lubricator accessories and miscellaneous

	<p>Filling nipple for cleaning and filling of grease lines</p> <p>D R 1/4 Nr. 290-30110</p>		<p>Gas generator for refilling</p> <table border="1"> <tr> <td></td> <td>15 ml</td> <td>30 ml</td> <td>60 ml</td> <td>125 ml</td> <td>250 ml</td> </tr> <tr> <td>Nr.</td> <td>220-50020</td> <td>220-50040</td> <td>220-50060</td> <td>220-50080</td> <td>220-50100</td> </tr> </table>		15 ml	30 ml	60 ml	125 ml	250 ml	Nr.	220-50020	220-50040	220-50060	220-50080	220-50100
	15 ml	30 ml	60 ml	125 ml	250 ml										
Nr.	220-50020	220-50040	220-50060	220-50080	220-50100										
	<p>Refill nipple for refilling of simalube</p> <p>D G 1/4 Nr. 290-30120</p>		<p>Non-return valve plug Plastic</p> <p>Nr. 290-50600</p>												
	<p>Refill nipple for filling the simalube with grease gun filler</p> <p>D R 1/4 R 3/8 Nr. 290-30130 290-30140</p>		<p>Non-return valve</p> <table border="1"> <tr> <td>D</td> <td>G 1/8</td> <td>G 1/4</td> <td>G 1/4</td> </tr> <tr> <td>Nr.</td> <td>290-20200</td> <td>290-20210</td> <td>290-20230</td> </tr> <tr> <td>Bar</td> <td>0.05</td> <td>0.05</td> <td>1.0</td> </tr> </table>	D	G 1/8	G 1/4	G 1/4	Nr.	290-20200	290-20210	290-20230	Bar	0.05	0.05	1.0
D	G 1/8	G 1/4	G 1/4												
Nr.	290-20200	290-20210	290-20230												
Bar	0.05	0.05	1.0												

Safety accessories

	<p>Protective cover for mounting support art. 290-20800</p> <table border="1"> <tr> <td>L</td> <td>30 ml</td> <td>≤125 ml</td> <td>250 ml</td> </tr> <tr> <td></td> <td>43</td> <td>105</td> <td>195</td> </tr> <tr> <td>Nr.</td> <td>290-20860</td> <td>290-20810</td> <td>290-20850</td> </tr> </table>	L	30 ml	≤125 ml	250 ml		43	105	195	Nr.	290-20860	290-20810	290-20850		<p>Mounting support for all simalube sizes</p> <p>D R 1/4 Nr. 290-20800</p>
L	30 ml	≤125 ml	250 ml												
	43	105	195												
Nr.	290-20860	290-20810	290-20850												

Brushes

	<p>Round brush</p> <p>DxL $\varnothing 25 \times 45$ [mm] Nr. 290-20340</p>		<p>Brush for high temperatures</p> <p>H 25 [mm] Nr. 290-20500</p>															
	<p>Round brush short</p> <p>DxL $\varnothing 25 \times 15$ [mm] Nr. 290-20410</p>		<p>Brush for high temperatures Connection on top and side</p> <p>H 40 100 [mm] Nr. 290-20510 290-20530</p>															
	<p>Brush FN for food applications</p> <table border="1"> <tr> <td>L</td> <td>25</td> <td>40</td> <td>70</td> <td>100 [mm]</td> </tr> <tr> <td>Nr.</td> <td>290-20380</td> <td>290-20350</td> <td>290-20360</td> <td>290-20370</td> </tr> <tr> <td>Nr.</td> <td>290-20385</td> <td>290-20355</td> <td>290-20365</td> <td>290-20375</td> </tr> </table>	L	25	40	70	100 [mm]	Nr.	290-20380	290-20350	290-20360	290-20370	Nr.	290-20385	290-20355	290-20365	290-20375		<p>Elevator brush Elevator brush</p> <p>5-16 mm, height 32 mm 16-32 mm, height 32 mm</p> <p>Nr. 290-20390 Nr. 290-20440</p>
L	25	40	70	100 [mm]														
Nr.	290-20380	290-20350	290-20360	290-20370														
Nr.	290-20385	290-20355	290-20365	290-20375														
	<p>Brush lateral connection SFN for food applications</p> <table border="1"> <tr> <td>L</td> <td>25</td> <td>40</td> <td>70</td> <td>100</td> </tr> <tr> <td>Nr.</td> <td>290-20384</td> <td>290-20354</td> <td>290-20364</td> <td>290-20374</td> </tr> <tr> <td>Nr.</td> <td>290-20357</td> <td>290-20367</td> <td>290-20377</td> <td></td> </tr> </table>	L	25	40	70	100	Nr.	290-20384	290-20354	290-20364	290-20374	Nr.	290-20357	290-20367	290-20377			<p>Elevator brush small 5-16 mm, height 32 mm</p> <p>Nr. 290-20420</p>
L	25	40	70	100														
Nr.	290-20384	290-20354	290-20364	290-20374														
Nr.	290-20357	290-20367	290-20377															

Installation accessories

	<p>a) Hose b) Hose for temperatures up to 500 °F c) Hose for small bend radius</p> <table border="1"> <tr> <td>L</td> <td colspan="3">available by the meter, $\varnothing 8/6$ mm</td> </tr> <tr> <td>Nr.</td> <td>290-20000/...m</td> <td>290-20020/...m</td> <td>290-20040/...m</td> </tr> </table>	L	available by the meter, $\varnothing 8/6$ mm			Nr.	290-20000/...m	290-20020/...m	290-20040/...m		<p>Distance holder to clamp for round brush art. 290-20130</p> <p>H 15 [mm] Nr. 290-20140</p>												
L	available by the meter, $\varnothing 8/6$ mm																						
Nr.	290-20000/...m	290-20020/...m	290-20040/...m																				
	<p>Clamp for simalube/round brush Plastic</p> <table border="1"> <tr> <td>D</td> <td>22 (SL 15 ml)</td> <td>28 (Pinsel)</td> <td>50 (SL 30-250 ml) [mm]</td> </tr> <tr> <td>Nr.</td> <td>290-20150</td> <td>290-20130</td> <td>290-20100</td> </tr> </table>	D	22 (SL 15 ml)	28 (Pinsel)	50 (SL 30-250 ml) [mm]	Nr.	290-20150	290-20130	290-20100		<p>Bracket to mounting support simalube art. 290-20800</p> <table border="1"> <tr> <td></td> <td>1x</td> <td>3x</td> <td>5x</td> </tr> <tr> <td>L</td> <td>75</td> <td>240</td> <td>390 [mm]</td> </tr> <tr> <td>Nr.</td> <td>290-20820</td> <td>290-20830</td> <td>290-20840</td> </tr> </table>		1x	3x	5x	L	75	240	390 [mm]	Nr.	290-20820	290-20830	290-20840
D	22 (SL 15 ml)	28 (Pinsel)	50 (SL 30-250 ml) [mm]																				
Nr.	290-20150	290-20130	290-20100																				
	1x	3x	5x																				
L	75	240	390 [mm]																				
Nr.	290-20820	290-20830	290-20840																				
	<p>Magnetic fixture for clamps</p> <p>Nr. 290-20190</p>		<p>Bracket for simalube 15-60 ml</p> <p>Nr. 290-20870</p>																				
	<p>Adapter for clamp (60 mm) Plastic</p> <p>D 50 [mm] Nr. 290-20120</p>		<p>Bracket universally adjustable</p> <p>Nr. 290-28000</p>																				

simalube multipoint installation components

	<p>Quick connection for hose $\varnothing 4$ mm</p> <table border="1"> <tr> <td>D</td> <td>G 1/8</td> <td>G 1/4</td> <td>M 5</td> <td>M 6</td> </tr> <tr> <td>Nr.</td> <td>290-11700</td> <td>290-11710</td> <td>290-11720</td> <td>290-11730</td> </tr> </table>	D	G 1/8	G 1/4	M 5	M 6	Nr.	290-11700	290-11710	290-11720	290-11730		<p>Hose available by the meter</p> <p>L per metre $\varnothing 4/2,7$ mm Nr. 290-21000/...m</p>
D	G 1/8	G 1/4	M 5	M 6									
Nr.	290-11700	290-11710	290-11720	290-11730									
	<p>Connection SLM</p> <p>D $5 \times \varnothing 4$ mm Nr. 290-29000</p>												

Grease cartridges and oil bottles for prelubrication

	<p>Grease cartridge 400 ml</p> <table border="1"> <tr> <td></td> <td>SL01</td> <td>SL02</td> <td>SL04</td> <td>SL06</td> <td>SL09</td> </tr> <tr> <td>Nr.</td> <td>290-70010</td> <td>290-70020</td> <td>290-70040</td> <td>290-70060</td> <td>290-70090</td> </tr> <tr> <td></td> <td>SL10</td> <td>SL12</td> <td>SL24</td> <td>SL25</td> <td>SL26</td> </tr> <tr> <td>Nr.</td> <td>290-70100</td> <td>290-70120</td> <td>290-70240</td> <td>290-70250</td> <td>290-70260</td> </tr> </table>		SL01	SL02	SL04	SL06	SL09	Nr.	290-70010	290-70020	290-70040	290-70060	290-70090		SL10	SL12	SL24	SL25	SL26	Nr.	290-70100	290-70120	290-70240	290-70250	290-70260		<p>Oil bottle 0,5 l</p> <table border="1"> <tr> <td></td> <td>SL14</td> <td>SL15</td> <td>SL16</td> <td>SL18</td> <td>SL19</td> </tr> <tr> <td>Nr.</td> <td>290-71140</td> <td>290-71150</td> <td>290-71160</td> <td>290-71180</td> <td>290-71190</td> </tr> </table>		SL14	SL15	SL16	SL18	SL19	Nr.	290-71140	290-71150	290-71160	290-71180	290-71190
	SL01	SL02	SL04	SL06	SL09																																		
Nr.	290-70010	290-70020	290-70040	290-70060	290-70090																																		
	SL10	SL12	SL24	SL25	SL26																																		
Nr.	290-70100	290-70120	290-70240	290-70250	290-70260																																		
	SL14	SL15	SL16	SL18	SL19																																		
Nr.	290-71140	290-71150	290-71160	290-71180	290-71190																																		

simalube IMPULSE accessories

	<p>simalube IMPULSE connect pressure booster</p> <p>Nr. 230-10100</p>		<p>Battery pack</p> <p>Power 6 V 2,3 Ah Nr. 230-50000</p>
--	--	--	---

simatec – innovative solutions that deliver outstanding customer benefits

simatec is an international, Swiss family enterprise. Since its founding in 1983, this motivated team has been developing, manufacturing and marketing innovative products for the maintenance of rolling bearings under the brand names of simalube, simatherm and simatool.

The direct customer benefits are always at the forefront. Using newly developed technologies, simatec simplifies complex processes and reduces routine maintenance for tens of thousands of machines around the globe.

Selected distribution partners sell simatec maintenance products around the world. They provide professional service and individual, expert advice.

Maintenance products by simatec – industrial technology



Lubricators

The simalube lubricator provides automatic lubrication over a period of one month to a year and can be adjusted in an infinitely variable manner. simalube supplies every lubricating point with the ideal amount of lubricant – be it oil or grease – so that subsequent manual lubrication is no longer needed and maintenance costs are reduced in the long term.



Induction Heaters

simatherm induction heaters heat circular metal parts, such as roller bearings, in a very short amount of time, so they can be installed quickly and efficiently. The inductive heating of metallic workpieces makes sense from both an economical and ecological perspective. simatec is the world's leading manufacturer of these types of heaters.



Tools

The simatool toolkits enable the fast installation and removal of roller bearings and seals. They are used all over the world in machine and maintenance workshops within all industries.

simalube

simatherm

simatool

simatec inc.

13900-C South Lakes Drive
Charlotte, NC 28273
Tel.: (704) 588-3320
Fax: (704) 588-2112
info@simatec-usa.com
www.simatec-usa.com



simatec



simatec