

HELI

ENGINE POWERED 5-10t



CPCD50
CPCD60

CPCD70
CPCD80

CPCD100



STANDARD SPECIFICATION

Manufacturer		ANHUI HELI CO., LTD.					
Model		CPCD50	CPCD60	CPCD70	CPCD80	CPCD100	
Load Capacity	kg	5000	6000	7000	8000	10000	
Load Center	mm	600					
Tire Type		Pneumatic					
Lifting Speeds	With Load / Without Load	mm/s	500 / 550		460/500	380/410	310/350
Lowering Speeds	With Load / Without Load	mm/s	≤600 / ≥300				
Free Lift	mm	200	205	210	200	210	
Max. Driving Speeds	With load/Without load	km/h	26 / 30				
Min. Turning Radius(outside)	mm	3250	3300	3370	3700	3900	
Max. Gradeability	With load/Without load	%	35 / 19	32 / 19	30 / 19	23 / 20	21 / 20
Max. Towing	With load/Without load	N	54000	54000	53000	60000	58000
Wheel (Front/Rear) X=Driving Wheel		4X / 2					
Overhead Guard Height	mm	2450			2560		
Mast Height	mm	2500			2700	2850	
Max.Lifting Height	mm	4420					4330
Fork Size (L x W x T)	mm	1220 × 150 × 55	1220 × 150 × 60	1220 × 150 × 65	1220 × 170 × 70	1220 × 175 × 80	
Tire (Front/Rear)		8.25 - 15 - 14PR / 8.25 - 15 - 14PR			9.00 - 20 - 14PR / 9.00 - 20 - 14PR		
Ground Clearance	At lower point(Mast)	mm	200		250	245	
Weight Distribution with Load	Front/Rear	kg	11660/1320	13050/1590	14570/1780	16900/1950	20380/2130
Weight Distribution without Load	Front/Rear	kg	4010/3970	3880/4760	3860/5490	4740/6110	5700/6810
Battery	Voltage/Capacity	V/Ah	12 / 80				
Service Brake		HYDRAULIC - PEDAL					
Parking Brake		MECHANICAL - HAND BRAKE ROD					
Internal Combustion Engine	Model		ISUZU 6BG1 DIESEL ENGINE				
	Rate horse power	KW(Ps) /r.p.m	82.3 (112) /2000				
	Rate torque	N.m /r.p.m	416 / 1400 - 1600				
	Number of Cylinder		6				
	Displacement	L	6.494				
	Fuel Tank Capacity	L	140				
Transmission	Number of Speed Fwd/Rvs-Type		2 / 2 POWER SHIFT				
Total Weight	kg	7980	8640	9350	10850	12510	

STANDARD EQUIPMENT

Hour meter	Engine oil pressure warning indicator	Return hydraulic filter	Full hydraulic power brake
Lamp guard	Charge indicator	Back-up buzzer	Full hydraulic power steering
Standard fork	Drawbar pin	Headlight	Tilt lock valve
Operator tool kits	Horn	Rear combination lamp	Toggle type parking brake lever
Water temperature meter	Air intake device	Digital instrument	
Neutral safety switch	Wide view mast	Tyre	Ignition key engine stop (C)
Side rollers	Turning signal lamp	Dipstick for convertor oil	Air cleaner warning device
Rear view mirror	Dipstick for hydraulic oil	Overhead guard raincoat	Tilt adjustable steering post
Hand grip	2-spool control valve	Rubber floor mat	Air cleaner
Fuel meter	Standard seat	Radiator reservoir	Lift / tilt levers

OPTIONAL EQUIPMENT AND ACCESSORIES

Hook	Cabin	Strobe light	Overhead exhaust
Ram	Dual air filter	Bale clamp	Customer coloring paint
Sideshift	Suspension seat	Fork extension sleeves	Heater for cabin
Paper clamp	Solid tyre	Wide carriage	Color tyre (white,green)
Hinged fork	Crane arm	Wind-proof glass	Smoke reduction/spark arrester muffler
Hinged bucket	Fire extinguisher	Multiple drums clamp	Wide view 2 (3)-stage full free mast

Note:
HELI industrial trucks are equipped with certain safety devices as standard equipment. **HELI** will not assume any liability for damage arising from or caused by the removal of any safety devices from any of its products.

5-7t WIDE VIEW MAST

Mast model	Max. Fork Height (mm)	Load Capacity (kg)			Overall Mast Height (At Lowered)(mm)			Tilting Angle (deg.)	Service Weight (kg)		
		CPCD50	CPCD60	CPCD70	CPCD50	CPCD60	CPCD70		CPCD50	CPCD60	CPCD70
M200	2000	5000	6000	7000	2000			6 - 12	7836	8496	9206
M250	2500	5000	6000	7000	2250			6 - 12	7900	8560	9270
M270	2700	5000	6000	7000	2350			6 - 12	7930	8590	9300
M300	3000	5000	6000	7000	2500			6 - 12	7980	8640	9350
M330	3300	5000	6000	7000	2650			6 - 12	8030	8690	9400
M350	3500	5000	6000	7000	2750			6 - 12	8060	8720	9440
M375	3750	5000	6000	7000	2875			6 - 12	8100	8760	9480
M400	4000	5000	6000	7000	3050			6 - 12	8270	8930	9650
M425	4250	5000	6000	7000	3175			6 - 12	8310	8970	9690
M450	4500	5000	6000	7000	3300			6 - 12	8350	9010	9730
M475	4750	5000	6000	7000	3425			6 - 6	8390	9050	9770
M500	5000	5000	6000	7000	3550			6 - 6	8430	9090	9810
M550	5500	4750	5700	6600	3850			3 - 6	8630	9290	10000
M600	6000	4400	5400	6400	4100			3 - 6	8710	9370	10080

5-7t WIDE VIEW FULL FREE 2-STAGE MAST

Mast model	Max. Fork Height (mm)	Load Capacity (kg)			Overall Mast Height (At Lowered) (mm)			Free Lift With Backrest (mm)	Tilting Angle Fwd/Bwd (deg.)	Service Weight With Backrest (kg)		
		CPCD50	CPCD60	CPCD70	CPCD50	CPCD60	CPCD70			CPCD50	CPCD60	CPCD70
ZM250	2500	5000	6000	7000	2210			1270	6 - 12	8010	8670	9380
ZM270	2700	5000	6000	7000	2310			1370	6 - 12	8040	8700	9410
ZM300	3000	5000	6000	7000	2460			1520	6 - 12	8090	8750	9460
ZM330	3300	5000	6000	7000	2610			1670	6 - 12	8140	8800	9510
ZM350	3500	5000	6000	7000	2710			1770	6 - 12	8170	8830	9540
ZM375	3750	5000	6000	7000	2835			1895	6 - 12	8210	8870	9580
ZM400	4000	5000	6000	7000	3010			2070	6 - 12	8370	9030	9740
ZM425	4250	5000	6000	7000	3135			2195	6 - 12	8410	9070	9780
ZM450	4500	5000	6000	7000	3260			2320	6 - 12	8450	9110	9820
ZM475	4750	5000	6000	7000	3385			2445	6 - 6	8490	9150	9860
ZM500	5000	5000	6000	7000	3510			2570	6 - 6	8530	9190	9900
ZM550	5500	4750	5700	6700	3810			2870	3 - 6	8730	9390	10100
ZM600	6000	4400	5400	6400	4060			3120	3 - 6	8810	9470	10180

NOTE: FREE LIFTING HEIGHT WITHOUT BACKREST + 420mm

5-7t WIDE VIEW FULL FREE 3-STAGE MAST

Mast model	Max. Fork Height (mm)	Load Capacity (kg)			Overall Mast Height (At Lowered) (mm)	Free Lift With Backrest (mm)	Tilting Angle Fwd/Bwd (deg.)	Service Weight With Backrest (kg)		
		CPCD50	CPCD60	CPCD70				CPCD50	CPCD60	CPCD70
ZSM360	3600	4500	5600	6200	2335	1300	6 - 6	8670	9330	10020
ZSM400	4000	4500	5600	6200	2470	1420	6 - 6	8730	9390	10080
ZSM435	4350	4500	5600	6200	2585	1550	6 - 6	8790	9450	10120
ZSM480	4800	4500	5600	6200	2740	1700	6 - 6	8980	9640	10310
ZSM500	5000	4500	5600	6200	2805	1800	3 - 6	9010	9670	10340
ZSM540	5400	4200	5300	6000	2940	1920	3 - 6	9080	9740	10510
ZSM600	6000	4000	5000	5500	3140	2220	3 - 6	9170	9830	10690
ZSM650	6500	3600	4300	4500	3405	2475	3 - 6	9280	9940	10810
ZSM700	7000	3000	3500	3700	3515	2625	3 - 6	9390	10050	10920

NOTE: FREE LIFTING HEIGHT WITHOUT BACKREST + 325mm

8-10t WIDE VIEW MAST

Mast model	Max. fork height (mm)	Load Capacity (kg)		Overall Mast Height (At Lowered) (mm)		Tilting Angle (deg.)	Service Weight (kg)	
		CPCD80	CPCD100	CPCD80	CPCD100		CPCD80	CPCD100
M250	2500	8000	-	2450	-	6 - 12	10870	-
M270	2700	8000	-	2550	-	6 - 12	10920	-
M300	3000	8000	10000	2700	2850	6 - 12	10960	12150
M330	3300	8000	10000	2850	3000	6 - 12	11020	12215
M350	3500	8000	10000	2950	3100	6 - 12	11060	12260
M375	3750	8000	10000	3075	3225	6 - 12	11100	12310
M400	4000	8000	10000	3250	3400	6 - 12	11310	12450
M425	4250	8000	10000	3375	3525	6 - 12	11360	12510
M450	4500	8000	10000	3500	3650	6 - 12	11400	12560
M475	4750	7750	10000	3625	3775	6 - 6	11450	12620
M500	5000	7750	10000	3750	3900	6 - 6	11500	12670
M550	5500	7400	9000	4050	4200	3 - 6	11740	12910
M600	6000	7000	8000	4300	4450	3 - 6	11830	13020

8-10t WIDE VIEW FULL FREE 3-STAGE MAST

Mast model	Max. Fork Height (mm)	Load Capacity (kg)		Overall Mast Height (At Lowered) (mm)		Free Lift With Backrest (mm)		Tilting Angle Fwd/Bwd (deg.)	Service Weight (kg)	
		CPCD80	CPCD100	CPCD80	CPCD100	CPCD80	CPCD100		CPCD80	CPCD100
ZSM360	3600	7000	8000	2450	2570	1290	1200	6 - 12	11350	12580
ZSM400	4000	7000	8000	2575	2700	1415	1320	6 - 12	11420	12640
ZSM435	4350	7000	8000	2700	2820	1540	1440	6 - 12	11490	12700
ZSM480	4800	7000	7500	2850	2970	1690	1600	6 - 6	11570	12760
ZSM500	5000	7000	7500	2950	3035	1790	1660	6 - 6	11640	12810
ZSM540	5400	6600	7000	3075	3225	1915	1850	3 - 6	11710	12880
ZSM600	6000	6000	6000	3375	3425	2215	2050	3 - 6	12050	12960
ZSM650	6500	5500	5600	3600	3595	2440	2220	3 - 6	12150	13250
ZSM700	7000	4500	-	3750	-	2590	-	3 - 6	12240	-

NOTE: 8-10t without backrest + 200mm

SIDE SHIFTER ON 10T FREE LIFTING MAST

Mast model	Max. Fork height (mm)	Load Capacity (kg)	Overall Mast Height (At Lowered) (mm)	Tilting Angle Fwd/Bwd (deg.)	Service Weight (kg)
ZSM360	3600	8000	2570	6 - 12	12580
ZSM400	4000	8000	2700	6 - 12	12640
ZSM435	4350	8000	2820	6 - 12	12700
ZSM480	4800	7500	2970	6 - 6	12760
ZSM500	5000	7500	3035	6 - 6	12810
ZSM540	5400	7000	3225	3 - 6	12880
ZSM600	6000	6000	3425	3 - 6	12960

● **HELI** trade mark rights belongs to ANHUI FORKLIFT TRUCK GROUP

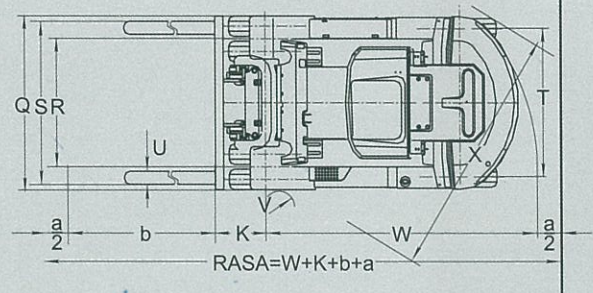
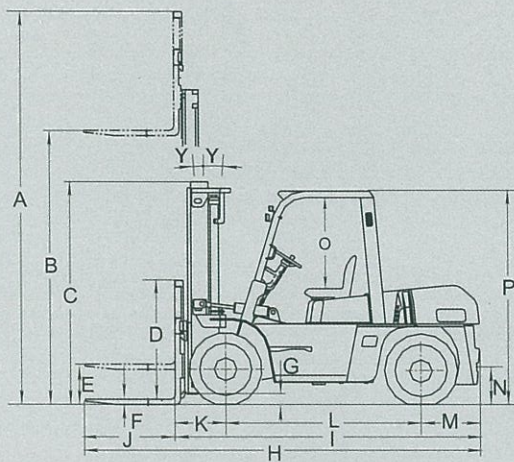
● Unauthorized users of the Trade Mark will be prosecuted

● For products quality and information, please contact sales service centre authorized by **HELI**

● **ANHUI FORKLIFT TRUCK GROUP** : ISO9001 CC certification

STANDARD DIMENSIONS (Front Double Tire)

Model	CPCD50	CPCD60	CPCD70	CPCD80	CPCD100
	mm	mm	mm	mm	mm
A Overall height fork raised(with backrest)	4420	4420	4420	4420	4330
B Max.fork height	3000	3000	3000	3000	3000
C Overall height fork lowered (upright)	2500	2500	2500	2700	2850
D Backrest height (from upper face of forks)	1365	1365	1365	1374	1015
E Free lift	200	205	210	200	210
F Fork thickness	55	60	65	70	80
G Min.under-clearance (bottom of mast)	200	200	200	250	245
H Overall length (with forks)	4660	4735	4800	5160	5480
I Overall length(without forks)	3440	3515	3580	3940	4260
J Fork length	1220	1220	1220	1220	1220
K Fork overhang	590	590	590	700	718
L Wheel base	2250	2250	2250	2500	2800
M Rear overhang	600	675	740	740	740
N Coupler height	430	430	430	540	540
O Overhead Guard Clearance (from face of seat)	1120	1120	1120	1120	1120
P Overall height(overhead guard)	2450	2450	2450	2560	2560
Q Overall width	1995	1995	1995	2165	2165
R Lateral fork adjustment(Outside of fork)	300-1700	300-1700	300-1700	340-2000	410-2140
S Tread(front)	1470	1470	1470	1600	1600
T Tread (rear)	1700	1700	1700	1700	1700
U Fork width	150	150	150	170	175
V Inside turning	200	200	200	200	200
W Outside turning radius	3250	3300	3370	3700	3900
X Min. intersecting aisle	2960	3000	3040	3310	3540
Y Tilting angles(forward-backward)	6° - 12°	6° - 12°	6° - 12°	6° - 12°	6° - 12°



RASA=Right Angle Stacking Aisle
a=Clearance
b=Load Length

HELI products and specifications are subject to improvement and change without notice.