

7FB10 7FB14

7FB15



MAIN VEHICLE SPECIFICATIONS

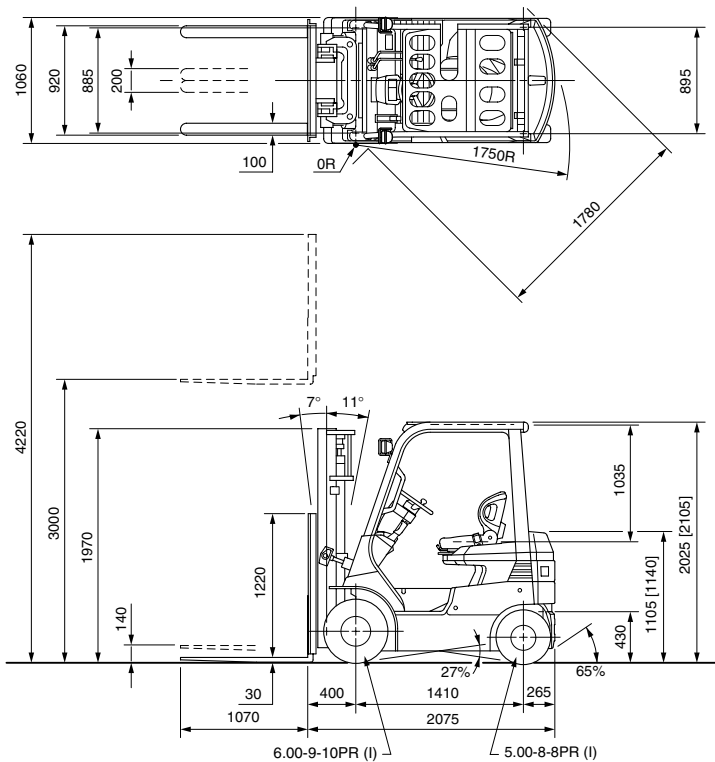
1	Manufacturer			TOYOTA	TOYOTA	TOYOTA	TOYOTA	
2	Model			7FB10	7FBH10	7FB14	7FBH14	
3	Load Capacity	kg		1000	1000	1350	1350	
4	Load Center	mm		500	500	500	500	
5	Power Type			Battery	Battery	Battery	Battery	
6	Operator Position			Rider Seated	Rider Seated	Rider Seated	Rider Seated	
7	Tire Type	Front/Rear		Pneumatic	Pneumatic	Pneumatic	Pneumatic	
8	Wheels (x = driven)	Front/Rear		2x/2	2x/2	2x/2	2x/2	
9	Maximum Fork Height (MFH)	mm		3000	3000	3000	3000	
10	Free Lift	mm		140	140	145	145	
13	Fork Size	T x W x L	mm	30x100x1070	30x100x1070	35x100x1070	35x100x1070	
	Fork Spread (Outside)	MAX./MIN.	mm	920/200	920/200	920/200	920/200	
14	Tilt Range	FWD/BWD	deg	7/11	7/11	7/11	7/11	
15	Length to Fork Face		mm	2075	2075	2080	2080	
16	Overall Width		mm	1060	1060	1060	1060	
17	Mast Lowered Height		mm	1970	1970	1970	1970	
18	Mast Extended Height		mm	4220	4220	4220	4220	
19	Overhead Guard Height		mm	2025	2105	2025	2105	
21	Turning Radius (Outside)		mm	1750	1750	1760	1760	
22	Load Distance (Centerline of front axle to front face of forks)		mm	400	400	405	405	
	Rear Overhang		mm	265	265	265	265	
23	Basic Right Angle Stacking Aisle Width (Add load length and clearance)		mm	2150	2150	2165	2165	
24	Speeds	Travel, Max. (FWD/RVS)	Full Load	km/h	14.5/14.5	14.5/14.5	14.5/14.5	14.5/14.5
No Load			km/h	17/17	17/17	17/17	17/17	
Lifting		Full Load	mm/sec	470	470	430	430	
		No Load	mm/sec	650	650	650	650	
Lowering	Full Load	mm/sec	500	500	500	500		
	No Load	mm/sec	550	550	550	550		
27	Drawbar Pull *	Full Load/ No Load	3-Minute Ratings	N	7940/7550	7940/7550	7850/7550	7850/7550
			5-Minute Ratings	N	7940/7550	7940/7550	7850/7550	7850/7550
			60-Minute Ratings	N	2750/2750	2750/2750	2750/2750	2750/2750
29	Gradeability *	Full Load/ No Load	3-Minute Ratings	% (tanθ)	22/27	22/27	20/26	20/26
			5-Minute Ratings	% (tanθ)	22/27	22/27	20/26	20/26
			30-Minute Ratings	% (tanθ)	14/19	14/19	13/19	13/19
32	Total Weight	Without Battery		kg	2080	2110	2140	2160
33	Weight Distribution (With STD Battery)	Full Load	Front	kg	3040	3160	3600	3730
			Rear	kg	600	770	450	600
34		No Load	Front	kg	1400	1530	1390	1520
			Rear	kg	1240	1400	1310	1460
35	Number	Front/Rear			2/2	2/2	2/2	2/2
36	Tires	Front			6.00-9-10PR (I)	6.00-9-10PR (I)	6.00-9-10PR (I)	6.00-9-10PR (I)
37		Rear			5.00-8-8PR (I)	5.00-8-8PR (I)	5.00-8-8PR (I)	5.00-8-8PR (I)
38	Wheelbase		mm	1410	1410	1410	1410	
39	Tread	Front	mm	885	885	885	885	
		Rear	mm	895	895	895	895	
	Backrest Height		mm	1220	1220	1220	1220	
	Overhead Guard Clearance		mm	1035	1035	1035	1035	
	Counterweight Height		mm	1105	1140	1105	1140	
	Drawbar Pin Center Height		mm	430	430	430	430	
	Step Height (Left-Right)/Floor Height		mm	(430-460)/615	(430-460)/695	(430-460)/615	(430-460)/695	
40	Underclearance	Min. <Mast>	mm	75	75	70	65	
41	(Full Load)	Center of Wheelbase	mm	85	85	85	85	
	Grade Clearance	Frame/Counterweight	% (tanθ)	27/65	27/65	27/65	27/65	
42	Brake	Service (Foot)			Hydraulic	Hydraulic	Hydraulic	Hydraulic
		Parking			Hand	Hand	Hand	Hand
45	Battery	Voltage/Capacity (5-hour rating)	STD	V/AH	48/330	48/545	48/330	48/545
			High	V/AH	48/485	—	48/485	—
46		Weight (STD Capacity Type)	kg	560	820	560	820	
47		Drive	kW	7.6	7.6	7.6	7.6	
48	Electric Motors	Load Handling	kW	9.5	9.5	9.5	9.5	
		Power Steering	kW	0.9	0.9	0.9	0.9	
54	Control Type	Drive		Transistor inverter	Transistor inverter	Transistor inverter	Transistor inverter	
		Load Handling		Transistor inverter	Transistor inverter	Transistor inverter	Transistor inverter	
		Power Steering		Transistor chopper	Transistor chopper	Transistor chopper	Transistor chopper	
57	Operating Pressure	For Attachments	Mpa (psi)	11.8 (1700)	11.8 (1700)	11.8 (1700)	11.8 (1700)	

NOTE: * Computed values.

DIMENSIONAL DRAWINGS

7FB10/7FBH10

Unit: mm



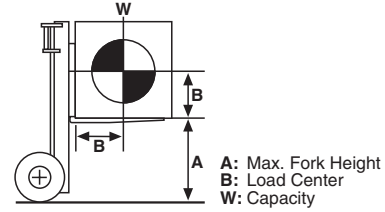
UNDERCLEARANCE

Mast (Full Load)	75
Drive Axle (Full Load)	75
Steer Axle (No Load)	125
Center of Wheelbase (Full Load)	85
Counterweight (No Load)	120

NOTE: [] for 7FBH10

RATED CAPACITIES

7FB10/7FBH10



V, SV, FV Mast Unit: kg (W)

A (mm)	4500	5000
500	1000	950 [1000]
600	900	850 [900]
700	810	770 [810]
800	750	710 [750]
900	690	650 [690]
1000	640	610 [640]

[] for dual tire models.

FSV Mast Unit: kg (W)

A (mm)	3700	4700	5000	5500	6000
500	950	900	850	750 [850]	600 [800]
600	850	810	760	670 [760]	540 [720]
700	780	730	690	610 [690]	490 [650]
800	710	670	640	560 [640]	450 [600]
900	660	620	590	520 [590]	410 [550]
1000	610	580	550	480 [550]	380 [510]

[] for dual tire models.

SPECIAL TREAD

Model	7FB10/7FBH10			
Front Tire	Single/Dual	Single	Single	Dual
Front Tire Size		6.00-9-10PR (I)	6.50-10-12PR (I)	4.50-12-8PR (I)
Overall Width	mm	1060	1070	1295
Tread, Front	mm	885	895	1010

SPECIAL MAST

Wide Visible Mast (V, SV), Wide Visible Full-Free Lift Two-Stage Mast (FV), Wide Visible Full-Free Lift Three-Stage Mast (FSV)

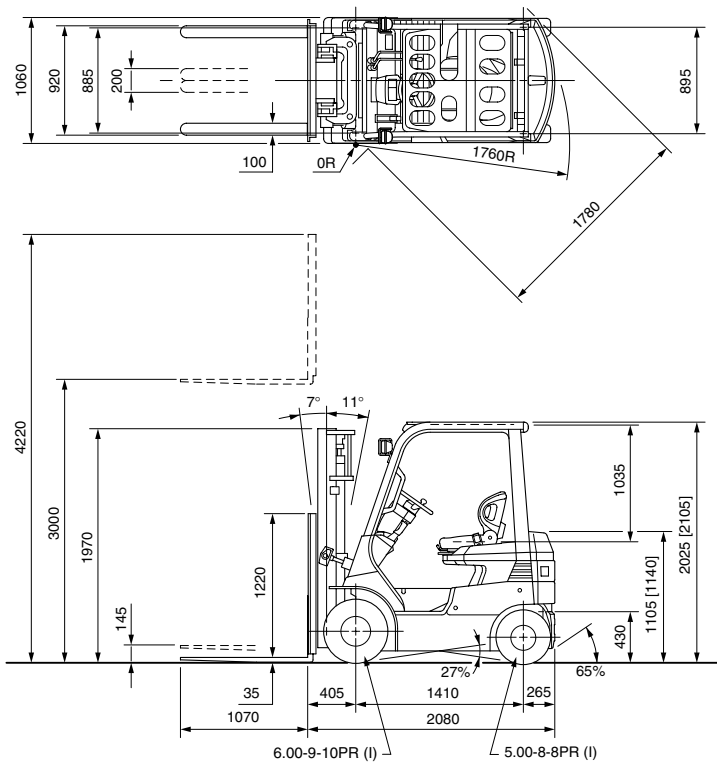
Model		7FB10/7FBH10									
Type of Mast		V, SV			FV			FSV			
PERFORMANCE											
Power Mode		H	P	S	H	P	S	H	P	S	
Speeds	Lifting	Full Load	mm/sec	470	360	360	430	330	330	430	330
		No Load	mm/sec	650	560	560	590	510	510	590	510
	Lowering	Full Load	mm/sec	500	500	500	480	480	480	480	480
		No Load	mm/sec	550	550	550	420	420	420	450	450
DIMENSIONS											
Load Distance (Centerline of front axle to front face of forks)		mm	400			400			420		

NOTE: H High power mode.
P Power mode.
S Standard mode.

DIMENSIONAL DRAWINGS

7FB14/7FBH14

Unit: mm



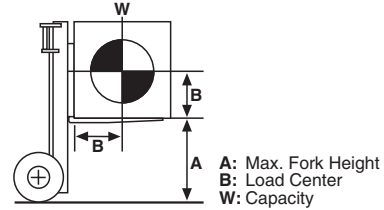
UNDERCLEARANCE

Mast (Full Load)	70 [65]
Drive Axle (Full Load)	70 [65]
Steer Axle (No Load)	125
Center of Wheelbase (Full Load)	85
Counterweight (No Load)	120

NOTE: [] for 7FBH14

RATED CAPACITIES

7FB14/7FBH14



V, SV, FV Mast Unit: kg (W)

A (mm)	4000	4500	5000
500	1350	1250	1150 [1200]
600	1210	1120	1030 [1080]
700	1100	1020	940 [980]
800	1010	930	860 [900]
900	930	860	790 [830]
1000	860	800	740 [770]

[] for dual tire models.

FSV Mast Unit: kg (W)

A (mm)	3700	4300	4700	5000	5500	6000
500	1250	1200	1150	1000 [1100]	800 [1100]	650 [1050]
600	1120	1080	1030	900 [990]	720 [990]	580 [940]
700	1020	980	940	820 [900]	650 [900]	530 [860]
800	940	900	860	750 [830]	600 [830]	490 [790]
900	870	830	800	690 [760]	550 [760]	450 [730]
1000	810	770	740	640 [710]	510 [710]	420 [680]

[] for dual tire models.

SPECIAL TREAD

Model		7FB14/7FBH14			
Front Tire	Single/Dual	Single	Single	Dual	Dual
Front Tire Size		6.00-9-10PR (I)	6.50-10-12PR (I)	4.50-12-8PR (I)	6.00-9-10PR (I)
Overall Width	mm	1060	1070	1295	1435
Tread, Front	mm	885	895	1010	1085

SPECIAL MAST

Wide Visible Mast (V, SV), Wide Visible Full-Free Lift Two-Stage Mast (FV), Wide Visible Full-Free Lift Three-Stage Mast (FSV)

Model		7FB14/7FBH14										
Type of Mast		V, SV			FV			FSV				
PERFORMANCE												
Power Mode		H			P			S				
Speeds	Lifting	Full Load	mm/sec	430	330	330	400	310	310	400	310	310
		No Load	mm/sec	650	560	560	590	510	510	590	510	510
	Lowering	Full Load	mm/sec	500	500	500	480	480	480	480	480	480
		No Load	mm/sec	550	550	550	420	420	420	450	450	450
DIMENSIONS												
Load Distance (Centerline of front axle to front face of forks)		mm	405			405			425			

NOTE: H High power mode.
P Power mode.
S Standard mode.

MAST SPECIFICATIONS & RATED CAPACITIES

Wide Visible Mast (V), Wide Visible Mast (SV), Wide Visible Full-Free Lift Two-Stage Mast (FV), Wide Visible Full-Free Lift Three-Stage Mast (FSV)
7FB10/7FBH10

Mast Type	Maximum Fork Height	Overall Height				Free Lift		Single Tire			Dual Tire		
		* Lowered	Extended		Without Load Backrest	With Standard Load Backrest	Tilt Range		Load Capacity at 500 mm LC	Tilt Range		Load Capacity at 500 mm LC	
			Without Load Backrest	With Standard Load Backrest			FWD	BWD		FWD	BWD		
													deg
mm	mm	mm	mm	mm	mm	deg	deg	kg	deg	deg	kg		
V	2000	1470	2610	3220	140	140	7	9	1000	7	9	1000	
	2500	1720	3110	3720	140	140	7	11	1000	7	11	1000	
	2700	1820	3310	3920	140	140	7	11	1000	7	11	1000	
	3000	1970	3610	4220	140	140	7	11	1000	7	11	1000	
	3300	2120	3910	4520	140	140	7	11	1000	7	11	1000	
	3500	2220	4110	4720	140	140	7	11	1000	7	11	1000	
	3700	2380	4310	4920	140	140	7	11	1000	7	11	1000	
	4000	2570	4610	5220	140	140	7	11	1000	7	11	1000	
	4500	2820	5110	5720	140	140	7	5	1000	7	5	1000	
	5000	3070	5610	6220	140	140	7	5	950	7	5	1000	
SV	2000	1470	2645	3220	380	380	7	9	1000	7	9	1000	
	2500	1720	3145	3720	380	380	7	11	1000	7	11	1000	
	2700	1820	3345	3920	380	380	7	11	1000	7	11	1000	
	3000	1970	3645	4220	380	380	7	11	1000	7	11	1000	
	3300	2120	3945	4520	380	380	7	11	1000	7	11	1000	
	3500	2220	4145	4720	380	380	7	11	1000	7	11	1000	
	3700	2380	4345	4920	380	380	7	11	1000	7	11	1000	
	4000	2570	4645	5220	380	380	7	11	1000	7	11	1000	
	4500	2820	5145	5720	380	380	7	5	1000	7	5	1000	
	5000	3070	5645	6220	380	380	7	5	950	7	5	1000	
FV	2000	1470	2570	3220	900*	250*	7	9	1000	7	9	1000	
	2500	1720	3070	3720	1150*	500*	7	11	1000	7	11	1000	
	2700	1820	3270	3920	1250*	600*	7	11	1000	7	11	1000	
	3000	1970	3570	4220	1400*	750*	7	11	1000	7	11	1000	
	3300	2120	3870	4520	1550*	900*	7	11	1000	7	11	1000	
	3500	2220	4070	4720	1650*	1000*	7	11	1000	7	11	1000	
	3700	2380	4270	4920	1810*	1160*	7	11	1000	7	11	1000	
	4000	2570	4570	5220	2000*	1350*	7	11	1000	7	11	1000	
	FSV	3700	1770	4245	4920	1230*	550*	7	5	950	7	5	950
		4000	1870	4545	5220	1330*	650*	7	5	900	7	5	900
4300		1970	4845	5520	1430*	750*	7	5	900	7	5	900	
4500		2040	5045	5720	1500*	820*	7	5	900	7	5	900	
4700		2120	5245	5920	1580*	900*	7	5	900	7	5	900	
5000		2220	5545	6220	1680*	1000*	7	5	850	7	5	850	
5500		2380	6045	6720	1840*	1160*	7	5	750	7	5	850	
6000		2570	6545	7220	2030*	1350*	7	5	600	7	5	800	

NOTE: Height of standard load backrest is 1220 mm.
* with optional tire size; 6.50-10-12PR (I), plus 25 mm.

7FB14/7FBH14

Mast Type	Maximum Fork Height	Overall Height				Free Lift		Single Tire			Dual Tire		
		* Lowered	Extended		Without Load Backrest	With Standard Load Backrest	Tilt Range		Load Capacity at 500 mm LC	Tilt Range		Load Capacity at 500 mm LC	
			Without Load Backrest	With Standard Load Backrest			FWD	BWD		FWD	BWD		
													deg
mm	mm	mm	mm	mm	mm	deg	deg	kg	deg	deg	kg		
V	2000	1470	2605	3220	145	145	7	9	1350	7	9	1350	
	2500	1720	3105	3720	145	145	7	11	1350	7	11	1350	
	2700	1820	3305	3920	145	145	7	11	1350	7	11	1350	
	3000	1970	3605	4220	145	145	7	11	1350	7	11	1350	
	3300	2120	3905	4520	145	145	7	11	1350	7	11	1350	
	3500	2220	4105	4720	145	145	7	11	1350	7	11	1350	
	3700	2380	4305	4920	145	145	7	11	1350	7	11	1350	
	4000	2570	4605	5220	145	145	7	11	1350	7	11	1350	
	4500	2820	5105	5720	145	145	7	5	1250	7	5	1250	
	5000	3070	5605	6220	145	145	7	5	1150	7	5	1200	
SV	2000	1470	2640	3220	385	385	7	9	1350	7	9	1350	
	2500	1720	3140	3720	385	385	7	11	1350	7	11	1350	
	2700	1820	3340	3920	385	385	7	11	1350	7	11	1350	
	3000	1970	3640	4220	385	385	7	11	1350	7	11	1350	
	3300	2120	3940	4520	385	385	7	11	1350	7	11	1350	
	3500	2220	4140	4720	385	385	7	11	1350	7	11	1350	
	3700	2380	4340	4920	385	385	7	11	1350	7	11	1350	
	4000	2570	4640	5220	385	385	7	11	1350	7	11	1350	
	4500	2820	5140	5720	385	385	7	5	1250	7	5	1250	
	5000	3070	5640	6220	385	385	7	5	1150	7	5	1200	
FV	2000	1470	2565	3220	905*	250*	7	9	1350	7	9	1350	
	2500	1720	3065	3720	1155*	500*	7	11	1350	7	11	1350	
	2700	1820	3265	3920	1255*	600*	7	11	1350	7	11	1350	
	3000	1970	3565	4220	1405*	750*	7	11	1350	7	11	1350	
	3300	2120	3865	4520	1555*	900*	7	11	1350	7	11	1350	
	3500	2220	4065	4720	1655*	1000*	7	11	1350	7	11	1350	
	3700	2380	4265	4920	1815*	1160*	7	11	1350	7	11	1350	
	4000	2570	4565	5220	2005*	1350*	7	11	1350	7	11	1350	
FSV	3700	1770	4240	4920	1235*	550*	7	5	1250	7	5	1250	
	4000	1870	4540	5220	1335*	650*	7	5	1200	7	5	1200	
	4300	1970	4840	5520	1435*	750*	7	5	1200	7	5	1200	
	4500	2040	5040	5720	1505*	820*	7	5	1150	7	5	1150	
	4700	2120	5240	5920	1585*	900*	7	5	1150	7	5	1150	
	5000	2220	5540	6220	1685*	1000*	7	5	1000	7	5	1100	
	5500	2380	6040	6720	1845*	1160*	7	5	800	7	5	1100	
	6000	2570	6540	7220	2035*	1350*	7	5	650	7	5	1050	

NOTE: Height of standard load backrest is 1220 mm.
* with optional tire size; 6.50-10-12PR (I), plus 25 mm.

7FB15

MAIN VEHICLE SPECIFICATIONS

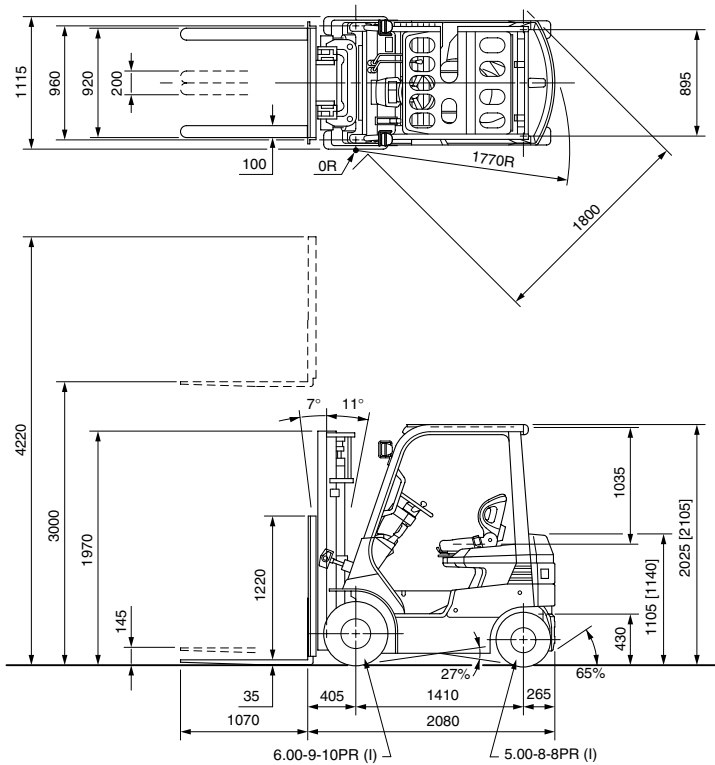
1	Manufacturer				TOYOTA	TOYOTA	TOYOTA	
2	Model				7FB15	7FBH15	40-7FB15	
3	Load Capacity			kg	1500	1500	1500	
4	Load Center			mm	500	500	500	
5	Power Type				Battery	Battery	Battery	
6	Operator Position				Rider Seated	Rider Seated	Rider Seated	
7	Tire Type			Front/Rear	Pneumatic	Pneumatic	Pneumatic	
8	Wheels (x = driven)			Front/Rear	2x/2	2x/2	2x/2	
9	Maximum Fork Height (MFH)			mm	3000	3000	3000	
10	Free Lift			mm	145	145	125	
13	Fork Size			T x W x L	mm	35x100x1070	35x100x1070	35x100x1070
	Fork Spread (Outside)			MAX./MIN.	mm	920/200	920/200	920/200
14	Tilt Range			FWD/BWD	deg	7/11	7/11	7/11
15	Length to Fork Face				mm	2080	2080	2216
16	Overall Width				mm	1115	1115	1160
17	Mast Lowered Height				mm	1970	1970	1975
18	Mast Extended Height				mm	4220	4220	4220
19	Overhead Guard Height				mm	2025	2105	2105
21	Turning Radius (Outside)				mm	1770	1770	1980
22	Load Distance (Centerline of front axle to front face of forks)				mm	405	405	415
	Rear Overhang				mm	265	265	300
23	Basic Right Angle Stacking Aisle Width (Add load length and clearance)				mm	2175	2175	2395
24	Speeds	Travel, Max. (FWD/RVS)	Full Load	km/h	14.5/14.5	14.5/14.5	14/14	
			No Load	km/h	17/17	17/17	16/16	
		Lifting	Full Load	mm/sec	420	420	380	
			No Load	mm/sec	650	650	600	
26	Lowering	Full Load	mm/sec	500	500	500		
		No Load	mm/sec	550	550	500		
27	Drawbar Pull *	Full Load/No Load	3-Minute Ratings	N	7850/7550	7850/7550	10300/9320	
			5-Minute Ratings	N	7850/7550	7850/7550	10300/9320	
			60-Minute Ratings	N	2750/2750	2750/2750	4710/4900	
29	Gradeability *	Full Load/No Load	3-Minute Ratings	% (tanθ)	19/25	19/25	22/25	
			5-Minute Ratings	% (tanθ)	19/25	19/25	22/25	
			30-Minute Ratings	% (tanθ)	12/19	12/19	17/25	
32	Total Weight	Without Battery		kg	2220	2240	2620	
33	Weight Distribution (With STD Battery)	Full Load	Front	kg	3890	3970	4150	
			Rear	kg	500	590	850	
34		No Load	Front	kg	1430	1510	1730	
			Rear	kg	1460	1550	1770	
35		Number	Front/Rear		2/2	2/2	2/2	
36	Tires	Size	Front		6.00-9-10PR (I)	6.00-9-10PR (I)	21x8-9-14PR (I)	
37			Rear		5.00-8-8PR (I)	5.00-8-8PR (I)	18x7-8-14PR (I)	
38	Wheelbase			mm	1410	1410	1500	
39	Tread	Front		mm	960	960	970	
		Rear		mm	895	895	940	
	Backrest Height			mm	1220	1220	1220	
	Overhead Guard Clearance			mm	1035	1035	1035	
	Counterweight Height			mm	1105	1140	1135	
	Drawbar Pin Center Height			mm	430	430	280	
	Step Height (Left-Right)/Floor Height			mm	(430-460)/615	(430-460)/695	(435-465)/700	
40	Underclearance (Full Load)	Min. <Mast>		mm	65	65	75	
41	Grade Clearance	Center of Wheelbase		mm	85	85	90	
		Frame/Counterweight		% (tanθ)	27/65	27/65	25/63	
42	Brake	Service (Foot)			Hydraulic	Hydraulic	Hydraulic	
43		Parking			Hand	Hand	Hand	
45	Battery	Voltage/Capacity (5-hour rating)	STD	V/AH	48/400	48/545	48/600	
46			High	V/AH	48/485	—	48/730	
47		Weight (STD Capacity Type)		kg	670	820	885	
48	Electric Motors	Drive		kW	7.6	7.6	10.7	
		Load Handling		kW	9.5	9.5	12.2	
		Power Steering		kW	0.9	0.9	0.9	
54	Control Type	Drive			Transistor inverter	Transistor inverter	Transistor inverter	
		Load Handling			Transistor inverter	Transistor inverter	Transistor inverter	
		Power Steering			Transistor chopper	Transistor chopper	Transistor chopper	
57	Operating Pressure For Attachments			Mpa (psi)	11.8 (1700)	11.8 (1700)	14.7 (2100)	

NOTE: * Computed values.

DIMENSIONAL DRAWINGS

7FB15/7FBH15

Unit: mm



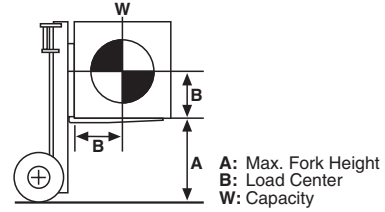
UNDERCLEARANCE

Mast (Full Load).....	65
Drive Axle (Full Load).....	65
Steer Axle (No Load)	125
Center of Wheelbase (Full Load)	85
Counterweight (No Load).....	120

NOTE: [] for 7FBH15

RATED CAPACITIES

7FB15/7FBH15



V, SV, FV Mast Unit: kg (W)

A (mm)	4000	4500	5000
500	1500	1450	1350 [1400]
600	1350	1300	1210 [1260]
700	1220	1180	1100 [1140]
800	1120	1080	1010 [1050]
900	1040	1000	930 [970]
1000	960	930	860 [900]

[] for dual tire models.

FSV Mast Unit: kg (W)

A (mm)	4300	4700	5000	5500	6000
500	1400	1350	1200 [1300]	1100 [1250]	900 [1100]
600	1260	1210	1080 [1170]	990 [1120]	810 [990]
700	1150	1100	980 [1060]	900 [1020]	730 [900]
800	1050	1010	900 [980]	830 [940]	670 [830]
900	970	940	830 [900]	760 [870]	620 [760]
1000	900	870	770 [840]	710 [810]	580 [710]

[] for dual tire models.

SPECIAL TREAD

Model	7FB15/7FBH15					
Front Tire	Single/Dual	Single	Single	Single	Dual	Dual
Front Tire Size		6.00-9-10PR (I)	21x8-9-10PR (I)	6.50-10-12PR (I)	4.50-12-8PR (I)	6.00-9-10PR (I)
Overall Width	mm	1115	1115	1115	1295	1435
Tread, Front	mm	960	920	940	1010	1085

SPECIAL MAST

Wide Visible Mast (V, SV), Wide Visible Full-Free Lift Two-Stage Mast (FV), Wide Visible Full-Free Lift Three-Stage Mast (FSV)

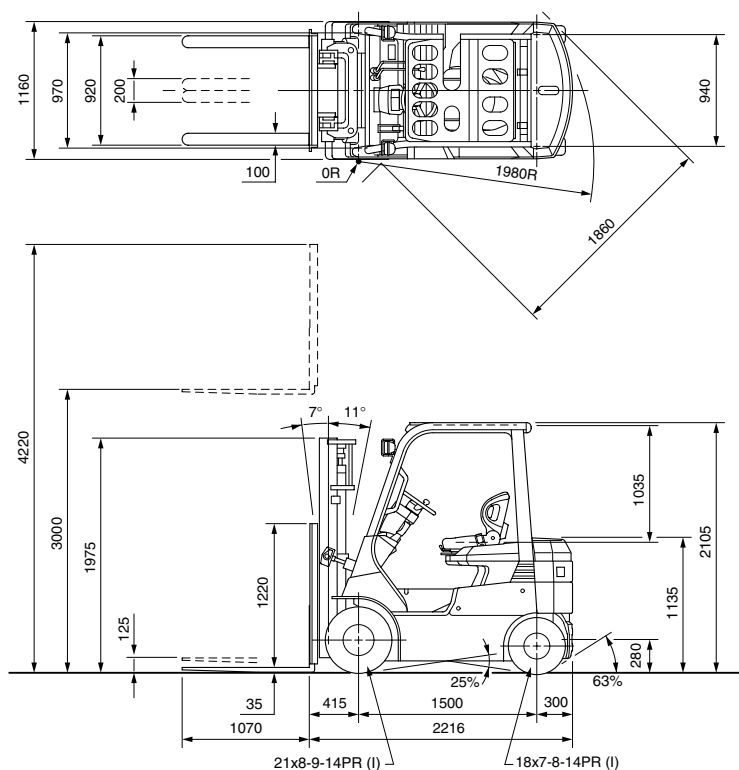
Model		7FB15/7FBH15										
Type of Mast		V, SV			FV			FSV				
PERFORMANCE												
Power Mode		H	P	S	H	P	S	H	P	S		
Speeds	Lifting	Full Load	mm/sec	420	320	320	390	300	300	390	300	300
		No Load	mm/sec	650	560	560	590	510	510	590	510	510
	Lowering	Full Load	mm/sec	500	500	500	480	480	480	480	480	480
		No Load	mm/sec	550	550	550	420	420	420	450	450	450
DIMENSIONS												
Load Distance (Centerline of front axle to front face of forks)		mm	405			405			425			

NOTE: H High power mode.
P Power mode.
S Standard mode.

DIMENSIONAL DRAWINGS

40-7FB15

Unit: mm



UNDERCLEARANCE

Mast (Full Load)	75
Drive Axle (Full Load)	75
Steer Axle (No Load)	120
Center of Wheelbase (Full Load)	90
Counterweight (No Load)	115

SPECIAL TREAD

Model		40-7FB15		
Front Tire	Single/Dual	Single	Single	Dual
Front Tire Size		21x8-9-14PR (I)	23x9-10-16PR (I)	6.00-9-10PR (I)
Overall Width	mm	1160	1220	1480
Tread, Front	mm	970	990	1130

SPECIAL MAST

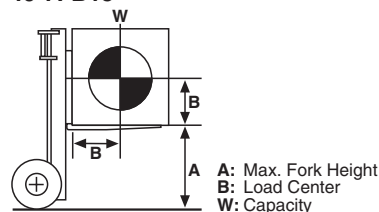
Wide Visible Mast (V, SV), Wide Visible Full-Free Lift Two-Stage Mast (FV), Wide Visible Full-Free Lift Three-Stage Mast (FSV)

Model		40-7FB15																	
Type of Mast		V, SV			FV			FSV											
PERFORMANCE																			
Power Mode																			
		H			P			S			H			P			S		
Speeds	Lifting	Full Load	mm/sec	380	280	280	350	260	260	350	260	260	420	260	260	420	260	260	
		No Load	mm/sec	600	500	500	500	420	420	420	500	420	420	500	420	420			
	Lowering	Full Load	mm/sec	500	500	500	480	480	480	480	480	480	480	480	480	480	480	480	
		No Load	mm/sec	500	500	500	420	420	420	420	420	420	450	450	450	450	450		
DIMENSIONS																			
Load Distance (Centerline of front axle to front face of forks)		mm	415			415			415			445							

NOTE: H High power mode.
P Power mode.
S Standard mode.

RATED CAPACITIES

40-7FB15



V, SV, FV Mast Unit: kg (W)

A (mm)	4000	4500	5000
500	1500	1450	1350 [1400]
600	1350	1300	1210 [1260]
700	1230	1190	1100 [1140]
800	1120	1090	1010 [1050]
900	1040	1000	930 [970]
1000	970	930	870 [900]

[] for dual tire models.

FSV Mast Unit: kg (W)

A (mm)	4300	4700	5000	5500	6000
500	1400	1350	1200 [1300]	1100 [1250]	900 [1100]
600	1260	1220	1080 [1170]	990 [1130]	810 [990]
700	1150	1110	990 [1070]	900 [1030]	740 [900]
800	1060	1020	910 [980]	830 [940]	680 [830]
900	980	940	840 [910]	770 [870]	630 [770]
1000	910	880	780 [840]	710 [810]	580 [710]

[] for dual tire models.

MAST SPECIFICATIONS & RATED CAPACITIES

Wide Visible Mast (V), Wide Visible Mast (SV), Wide Visible Full-Free Lift Two-Stage Mast (FV), Wide Visible Full-Free Lift Three-Stage Mast (FSV)
7FB15/7FBH15

Mast Type	Maximum Fork Height	Overall Height				Free Lift		Single Tire			Dual Tire		
		* Lowered	Extended		Without Load Backrest	With Standard Load Backrest	Tilt Range		Load Capacity at 500 mm LC	Tilt Range		Load Capacity at 500 mm LC	
			Without Load Backrest	With Standard Load Backrest			FWD	BWD		FWD	BWD		
mm	mm	mm	mm	mm	mm	deg	deg	kg	deg	deg	kg		
V	2000	1470	2605	3220	145	145	7	9	1500	7	9	1500	
	2500	1720	3105	3720	145	145	7	11	1500	7	11	1500	
	2700	1820	3305	3920	145	145	7	11	1500	7	11	1500	
	3000	1970	3605	4220	145	145	7	11	1500	7	11	1500	
	3300	2120	3905	4520	145	145	7	11	1500	7	11	1500	
	3500	2220	4105	4720	145	145	7	11	1500	7	11	1500	
	3700	2380	4305	4920	145	145	7	11	1500	7	11	1500	
	4000	2570	4605	5220	145	145	7	11	1500	7	11	1500	
	4500	2820	5105	5720	145	145	7	5	1450	7	5	1450	
	5000	3070	5605	6220	145	145	7	5	1350	7	5	1400	
SV	2000	1470	2640	3220	385	385	7	9	1500	7	9	1500	
	2500	1720	3140	3720	385	385	7	11	1500	7	11	1500	
	2700	1820	3340	3920	385	385	7	11	1500	7	11	1500	
	3000	1970	3640	4220	385	385	7	11	1500	7	11	1500	
	3300	2120	3940	4520	385	385	7	11	1500	7	11	1500	
	3500	2220	4140	4720	385	385	7	11	1500	7	11	1500	
	3700	2380	4340	4920	385	385	7	11	1500	7	11	1500	
	4000	2570	4640	5220	385	385	7	11	1500	7	11	1500	
	4500	2820	5140	5720	385	385	7	5	1450	7	5	1450	
	5000	3070	5640	6220	385	385	7	5	1350	7	5	1400	
FV	2000	1470	2565	3220	905*	250*	7	9	1500	7	9	1500	
	2500	1720	3065	3720	1155*	500*	7	11	1500	7	11	1500	
	2700	1820	3265	3920	1255*	600*	7	11	1500	7	11	1500	
	3000	1970	3565	4220	1405*	750*	7	11	1500	7	11	1500	
	3300	2120	3865	4520	1555*	900*	7	11	1500	7	11	1500	
	3500	2220	4065	4720	1655*	1000*	7	11	1500	7	11	1500	
	3700	2380	4265	4920	1815*	1160*	7	11	1500	7	11	1500	
	4000	2570	4565	5220	2005*	1350*	7	11	1500	7	11	1500	
	FSV	3700	1770	4240	4920	1235*	550*	7	5	1400	7	5	1400
		4000	1870	4540	5220	1335*	650*	7	5	1400	7	5	1400
4300		1970	4840	5520	1435*	750*	7	5	1400	7	5	1400	
4500		2040	5040	5720	1505*	820*	7	5	1350	7	5	1350	
4700		2120	5240	5920	1585*	900*	7	5	1350	7	5	1350	
5000		2220	5540	6220	1685*	1000*	7	5	1200	7	5	1300	
5500		2380	6040	6720	1845*	1160*	7	5	1100	7	5	1250	
6000		2570	6540	7220	2035*	1350*	7	5	900	7	5	1100	

NOTE: Height of standard load backrest is 1220 mm.
* with optional tire size; 6.50-10-12PR (I), plus 25 mm.

40-7FB15

Mast Type	Maximum Fork Height	Overall Height				Free Lift		Single Tire			Dual Tire		
		* Lowered	Extended		Without Load Backrest	With Standard Load Backrest	Tilt Range		Load Capacity at 500 mm LC	Tilt Range		Load Capacity at 500 mm LC	
			Without Load Backrest	With Standard Load Backrest			FWD	BWD		FWD	BWD		
mm	mm	mm	mm	mm	mm	deg	deg	kg	deg	deg	kg		
V	2000	1475	2670	3220	125	125	7	9	1500	7	9	1500	
	2500	1725	3170	3720	125	125	7	11	1500	7	11	1500	
	2700	1825	3370	3920	125	125	7	11	1500	7	11	1500	
	3000	1975	3670	4220	125	125	7	11	1500	7	11	1500	
	3300	2125	3970	4520	125	125	7	11	1500	7	11	1500	
	3500	2225	4170	4720	125	125	7	11	1500	7	11	1500	
	3700	2385	4370	4920	125	125	7	11	1500	7	11	1500	
	4000	2575	4670	5220	125	125	7	11	1500	7	11	1500	
	4500	2825	5170	5720	125	125	7	5	1450	7	5	1450	
	5000	3075	5670	6220	125	125	7	5	1350	7	5	1400	
SV	2000	1475	2695	3220	375	375	7	9	1500	7	9	1500	
	2500	1725	3195	3720	375	375	7	11	1500	7	11	1500	
	2700	1825	3395	3920	375	375	7	11	1500	7	11	1500	
	3000	1975	3695	4220	375	375	7	11	1500	7	11	1500	
	3300	2125	3995	4520	375	375	7	11	1500	7	11	1500	
	3500	2225	4195	4720	375	375	7	11	1500	7	11	1500	
	3700	2385	4395	4920	375	375	7	11	1500	7	11	1500	
	4000	2575	4695	5220	375	375	7	11	1500	7	11	1500	
	4500	2825	5195	5720	375	375	7	5	1450	7	5	1450	
	5000	3075	5695	6220	375	375	7	5	1350	7	5	1400	
FV	2000	1475	2605	3220	870*	255*	7	9	1500	7	9	1500	
	2500	1725	3105	3720	1120*	505*	7	11	1500	7	11	1500	
	2700	1825	3305	3920	1220*	605*	7	11	1500	7	11	1500	
	3000	1975	3605	4220	1370*	755*	7	11	1500	7	11	1500	
	3300	2125	3905	4520	1520*	905*	7	11	1500	7	11	1500	
	3500	2225	4105	4720	1620*	1005*	7	11	1500	7	11	1500	
	3700	2385	4305	4920	1780*	1165*	7	11	1500	7	11	1500	
	4000	2575	4605	5220	1970*	1355*	7	11	1500	7	11	1500	
	FSV	3700	1775	4345	4920	1130*	555*	7	5	1400	7	5	1400
		4000	1875	4645	5220	1230*	655*	7	5	1400	7	5	1400
4300		1975	4945	5520	1330*	755*	7	5	1400	7	5	1400	
4500		2045	5145	5720	1400*	825*	7	5	1350	7	5	1350	
4700		2125	5345	5920	1480*	905*	7	5	1350	7	5	1350	
5000		2225	5645	6220	1580*	1005*	7	5	1200	7	5	1300	
5500		2385	6145	6720	1740*	1165*	7	5	1100	7	5	1250	
6000		2575	6645	7220	1930*	1355*	7	5	900	7	5	1100	

NOTE: Height of standard load backrest is 1220 mm.
* with optional tire size; 23x9-10-16PR (I), plus 20 mm.

MAIN VEHICLE SPECIFICATIONS

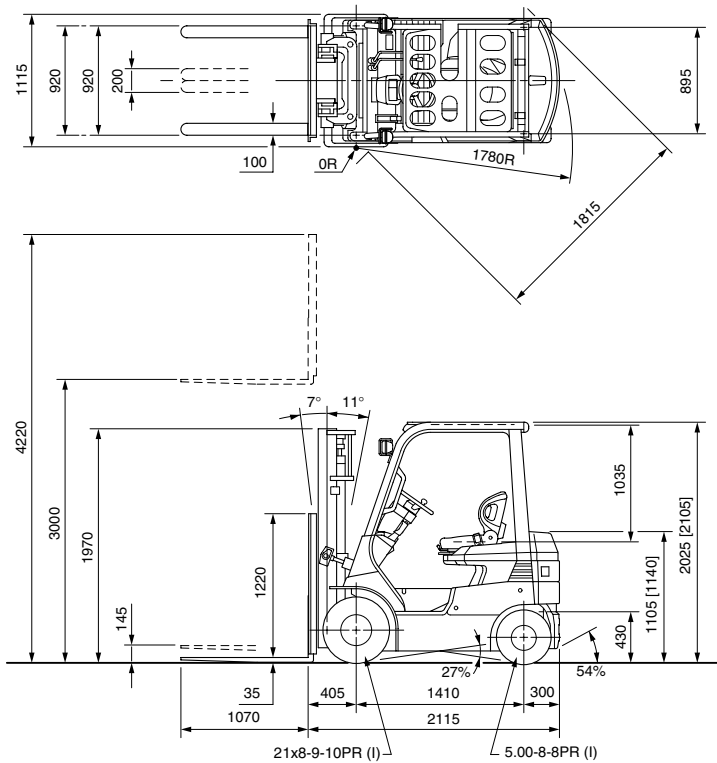
1	Manufacturer			TOYOTA	TOYOTA
2	Model			7FB18	7FBH18
3	Load Capacity	kg		1750	1750
4	Load Center	mm		500	500
5	Power Type			Battery	Battery
6	Operator Position			Rider Seated	Rider Seated
7	Tire Type	Front/Rear		Pneumatic	Pneumatic
8	Wheels (x = driven)	Front/Rear		2x/2	2x/2
9	Maximum Fork Height (MFH)	mm		3000	3000
10	Free Lift	mm		145	145
13	Fork Size	T x W x L	mm	35x100x1070	35x100x1070
	Fork Spread (Outside)	MAX./MIN.	mm	920/200	920/200
14	Tilt Range	FWD/BWD	deg	7/11	7/11
15	Length to Fork Face		mm	2115	2115
16	Overall Width		mm	1115	1115
17	Mast Lowered Height		mm	1970	1970
18	Mast Extended Height		mm	4220	4220
19	Overhead Guard Height		mm	2025	2105
21	Turning Radius (Outside)		mm	1780	1780
22	Load Distance (Centerline of front axle to front face of forks)		mm	405	405
	Rear Overhang		mm	300	300
23	Basic Right Angle Stacking Aisle Width (Add load length and clearance)		mm	2185	2185
24	Speeds	Travel, Max. (FWD/RVS)	Full Load	km/h	14.5/14.5
No Load			km/h	17/17	
Lifting		Full Load	mm/sec	370	
		No Load	mm/sec	650	
Lowering	Full Load	mm/sec	500		
	No Load	mm/sec	550		
27	Drawbar Pull *	Full Load/ No Load	3-Minute Ratings	N	8040/7550
5-Minute Ratings			N	8040/7550	
60-Minute Ratings			N	2750/2940	
29	Gradeability *	Full Load/ No Load	3-Minute Ratings	% (tanθ)	17/23
			5-Minute Ratings	% (tanθ)	17/23
			30-Minute Ratings	% (tanθ)	11/18
32	Total Weight	Without Battery		kg	2400
33	Weight Distribution (With STD Battery)	Full Load	Front	kg	4290
			Rear	kg	620
34		No Load	Front	kg	1420
			Rear	kg	1740
35		Number	Front/Rear		2/2
36	Tires	Size	Front		21x8-9-10PR (I)
Rear				5.00-8-10PR (I)	
37					5.00-8-10PR (I)
38	Wheelbase			mm	1410
39	Tread	Front		mm	920
		Rear		mm	895
	Backrest Height			mm	1220
	Overhead Guard Clearance			mm	1035
	Counterweight Height			mm	1105
	Drawbar Pin Center Height			mm	430
	Step Height (Left-Right)/Floor Height			mm	(430-460)/615
40	Underclearance	Min. <Mast>		mm	65
41	(Full Load)	Center of Wheelbase		mm	85
	Grade Clearance	Frame/Counterweight		% (tanθ)	27/54
42	Brake	Service (Foot)			Hydraulic
43		Parking			Hand
45	Battery	Voltage/Capacity (5-hour rating)	STD	V/AH	48/400
			High	V/AH	48/485
46		Weight (STD Capacity Type)		kg	670
47		Drive		kW	7.6
48	Electric Motors	Load Handling		kW	9.5
		Power Steering		kW	0.9
54	Control Type	Drive			Transistor inverter
		Load Handling			Transistor inverter
		Power Steering			Transistor chopper
57	Operating Pressure	For Attachments		Mpa (psi)	11.8 (1700)

NOTE: * Computed values.

DIMENSIONAL DRAWINGS

7FB18/7FBH18

Unit: mm



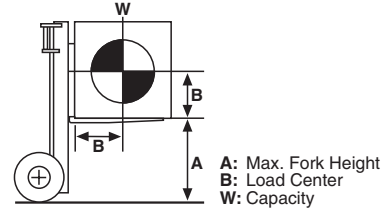
UNDERCLEARANCE

Mast (Full Load)	65
Drive Axle (Full Load)	65
Steer Axle (No Load)	125
Center of Wheelbase (Full Load)	85
Counterweight (No Load)	120

NOTE: [] for 7FBH18

RATED CAPACITIES

7FB18/7FBH18



V, SV, FV Mast Unit: kg (W)

A (mm)	4000	4500	5000
500	1750	1550 [1650]	1200 [1550]
600	1570	1390 [1480]	1080 [1390]
700	1430	1260 [1350]	980 [1260]
800	1310	1160 [1230]	900 [1160]
900	1210	1070 [1140]	830 [1070]
1000	1120	990 [1060]	770 [990]

[] for dual tire models.

FSV Mast

Unit: kg (W)

A (mm)	4000	4300	4700	5000	5500	6000
500	1600	1550	1500	1250 [1450]	900 [1400]	750 [1150]
600	1440	1390	1350	1120 [1300]	810 [1260]	670 [1030]
700	1310	1270	1230	1020 [1190]	730 [1150]	610 [940]
800	1200	1170	1130	940 [1090]	670 [1050]	560 [860]
900	1110	1080	1040	870 [1010]	620 [970]	520 [800]
1000	1030	1000	970	810 [940]	580 [900]	480 [740]

[] for dual tire models.

SPECIAL TREAD

Model	7FB18/7FBH18			
Front Tire	Single/Dual	Single	Single	Dual
Front Tire Size		21x8-9-10PR (I)	6.50-10-12PR (I)	4.50-12-8PR (I)
Overall Width	mm	1115	1115	1295
Tread, Front	mm	920	940	1010

SPECIAL MAST

Wide Visible Mast (V, SV), Wide Visible Full-Free Lift Two-Stage Mast (FV), Wide Visible Full-Free Lift Three-Stage Mast (FSV)

Model		7FB18/7FBH18										
Type of Mast		V, SV			FV			FSV				
PERFORMANCE												
Power Mode		H	P	S	H	P	S	H	P	S		
Speeds	Lifting	Full Load	mm/sec	370	300	300	340	280	280	340	280	280
		No Load	mm/sec	650	560	560	590	510	510	590	510	510
	Lowering	Full Load	mm/sec	500	500	500	480	480	480	480	480	480
		No Load	mm/sec	550	550	550	420	420	420	450	450	450
DIMENSIONS												
Load Distance (Centerline of front axle to front face of forks)		mm	405			405			425			

NOTE: H High power mode.
P Power mode.
S Standard mode.

MAST SPECIFICATIONS & RATED CAPACITIES

Wide Visible Mast (V), Wide Visible Mast (SV), Wide Visible Full-Free Lift Two-Stage Mast (FV), Wide Visible Full-Free Lift Three-Stage Mast (FSV)
7FB18/7FBH18

Mast Type	Maximum Fork Height	Overall Height				Free Lift		Single Tire			Dual Tire		
		* Lowered	Extended		Without Load Backrest	With Standard Load Backrest	Tilt Range		Load Capacity at 500 mm LC	Tilt Range		Load Capacity at 500 mm LC	
			Without Load Backrest	With Standard Load Backrest			FWD	BWD		FWD	BWD		
													mm
V	2000	1470	2605	3220	145	145	7	9	1750	7	9	1750	
	2500	1720	3105	3720	145	145	7	11	1750	7	11	1750	
	2700	1820	3305	3920	145	145	7	11	1750	7	11	1750	
	3000	1970	3605	4220	145	145	7	11	1750	7	11	1750	
	3300	2120	3905	4520	145	145	7	11	1750	7	11	1750	
	3500	2220	4105	4720	145	145	7	11	1750	7	11	1750	
	3700	2380	4305	4920	145	145	7	11	1750	7	11	1750	
	4000	2570	4605	5220	145	145	7	5	1750	7	11	1750	
	4500	2820	5105	5720	145	145	7	5	1550	7	5	1650	
	5000	3070	5605	6220	145	145	7	5	1200	7	5	1550	
SV	2000	1470	2640	3220	385	385	7	9	1750	7	9	1750	
	2500	1720	3140	3720	385	385	7	11	1750	7	11	1750	
	2700	1820	3340	3920	385	385	7	11	1750	7	11	1750	
	3000	1970	3640	4220	385	385	7	11	1750	7	11	1750	
	3300	2120	3940	4520	385	385	7	11	1750	7	11	1750	
	3500	2220	4140	4720	385	385	7	11	1750	7	11	1750	
	3700	2380	4340	4920	385	385	7	11	1750	7	11	1750	
	4000	2570	4640	5220	385	385	7	5	1750	7	11	1750	
	4500	2820	5140	5720	385	385	7	5	1550	7	5	1650	
	5000	3070	5640	6220	385	385	7	5	1200	7	5	1550	
FV	2000	1470	2565	3220	905*	250*	7	9	1750	7	9	1750	
	2500	1720	3065	3720	1155*	500*	7	11	1750	7	11	1750	
	2700	1820	3265	3920	1255*	600*	7	11	1750	7	11	1750	
	3000	1970	3565	4220	1405*	750*	7	11	1750	7	11	1750	
	3300	2120	3865	4520	1555*	900*	7	11	1750	7	11	1750	
	3500	2220	4065	4720	1655*	1000*	7	11	1750	7	11	1750	
	3700	2380	4265	4920	1815*	1160*	7	11	1750	7	11	1750	
	4000	2570	4565	5220	2005*	1350*	7	5	1750	7	11	1750	
FSV	3700	1770	4240	4920	1235*	550*	7	5	1600	7	5	1600	
	4000	1870	4540	5220	1335*	650*	7	5	1600	7	5	1600	
	4300	1970	4840	5520	1435*	750*	7	5	1550	7	5	1550	
	4500	2040	5040	5720	1505*	820*	7	5	1500	7	5	1500	
	4700	2120	5240	5920	1585*	900*	7	5	1500	7	5	1500	
	5000	2220	5540	6220	1685*	1000*	7	5	1250	7	5	1450	
	5500	2380	6040	6720	1845*	1160*	7	5	900	7	5	1400	
	6000	2570	6540	7220	2035*	1350*	7	5	750	7	5	1150	

NOTE: Height of standard load backrest is 1220 mm.
* with optional tire size; 6.50-10-12PR (I), plus 25 mm.

MAIN VEHICLE SPECIFICATIONS

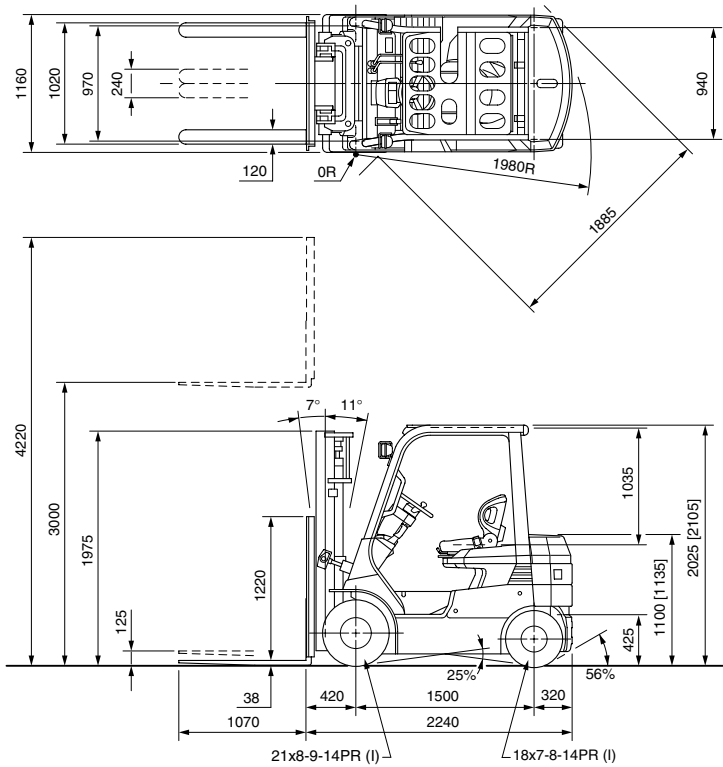
1	Manufacturer				TOYOTA	TOYOTA	TOYOTA
2	Model				7FB20	7FBH20	40-7FB20
3	Load Capacity		kg		2000	2000	2000
4	Load Center		mm		500	500	500
5	Power Type				Battery	Battery	Battery
6	Operator Position				Rider Seated	Rider Seated	Rider Seated
7	Tire Type	Front/Rear			Pneumatic	Pneumatic	Pneumatic
8	Wheels (x = driven)	Front/Rear			2x/2	2x/2	2x/2
9	Maximum Fork Height (MFH)			mm	3000	3000	3000
10	Free Lift			mm	125	125	150
13	Fork Size	T x W x L	mm		38x120x1070	38x120x1070	38x120x1070
	Fork Spread (Outside)	MAX./MIN.	mm		1020/240	1020/240	1020/240
14	Tilt Range	FWD/BWD	deg		7/11	7/11	6/11
15	Length to Fork Face			mm	2240	2240	2405
16	Overall Width			mm	1160	1160	1230
17	Mast Lowered Height			mm	1975	1975	1995
18	Mast Extended Height			mm	4220	4220	4220
19	Overhead Guard Height			mm	2025	2105	2160
21	Turning Radius (Outside)			mm	1980	1980	2145
22	Load Distance (Centerline of front axle to front face of forks)		mm		420	420	445
	Rear Overhang		mm		320	320	310
23	Basic Right Angle Stacking Aisle Width (Add load length and clearance)			mm	2400	2400	2590
24	Speeds	Travel, Max. (FWD/RVS)	Full Load	km/h	14.5/14.5	14.5/14.5	14.5/14.5
			No Load	km/h	16.5/16.5	16.5/16.5	15.5/15.5
		Lifting	Full Load	mm/sec	360	360	360
			No Load	mm/sec	600	600	600
26	Lowering	Full Load	mm/sec	500	500	500	
		No Load	mm/sec	500	500	500	
27	Drawbar Pull *	Full Load/ No Load	3-Minute Ratings	N	10200/8430	10200/8430	11570/11380
			5-Minute Ratings	N	10200/8430	10200/8430	11570/11380
			60-Minute Ratings	N	4710/4900	4710/4900	5300/5390
29	Gradeability *	Full Load/ No Load	3-Minute Ratings	% (tanθ)	19/22	19/22	18/24
			5-Minute Ratings	% (tanθ)	19/22	19/22	18/24
			30-Minute Ratings	% (tanθ)	15/22	15/22	14/21
32	Total Weight	Without Battery		kg	2725	2745	3245
33	Weight Distribution (With STD Battery)	Full Load	Front	kg	4900	5030	5520
			Rear	kg	585	775	965
34		No Load	Front	kg	1680	1790	2320
			Rear	kg	1805	2015	2165
35	Number	Front/Rear			2/2	2/2	2/2
36	Tires	Size	Front		21x8-9-14PR (I)	21x8-9-14PR (I)	7.00-12-12PR (I)
37			Rear		18x7-8-14PR (I)	18x7-8-14PR (I)	6.00-9-10PR (I)
38	Wheelbase			mm	1500	1500	1650
39	Tread		Front	mm	970	970	960
			Rear	mm	940	940	965
	Backrest Height			mm	1220	1220	1220
	Overhead Guard Clearance			mm	1035	1035	1035
	Counterweight Height			mm	1100	1135	1195
	Drawbar Pin Center Height			mm	425	425	505
	Step Height (Left-Right)/Floor Height			mm	(435-465)/620	(435-465)/700	(490-505)/755
40	Underclearance	Min. <Mast>		mm	70	70	85
41	(Full Load)	Center of Wheelbase		mm	90	90	110
	Grade Clearance	Frame/Counterweight		% (tanθ)	25/56	25/56	29/96
42	Brake	Service (Foot)			Hydraulic	Hydraulic	Hydraulic
43		Parking			Hand	Hand	Hand
45	Battery	Voltage/Capacity (5-hour rating)	STD	V/AH	48/450	48/730	48/845
			High	V/AH	48/600	—	—
46	Weight (STD Capacity Type)			kg	765	1060	1245
47	Drive			kW	10.7	10.7	10.7
48	Electric Motors	Load Handling		kW	12.2	12.2	12.2
		Power Steering [] w/o SAS**		kW	1.0 [0.9]	1.0 [0.9]	1.0 [0.9]
54	Control Type	Drive			Transistor inverter	Transistor inverter	Transistor inverter
		Load Handling			Transistor inverter	Transistor inverter	Transistor inverter
		Power Steering			Transistor chopper	Transistor chopper	Transistor chopper
57	Operating Pressure		For Attachments	Mpa (psi)	14.7 (2100)	14.7 (2100)	14.7 (2100)

NOTE: * Computed values.
** System of active stability.

DIMENSIONAL DRAWINGS

7FB20/7FBH20

Unit: mm



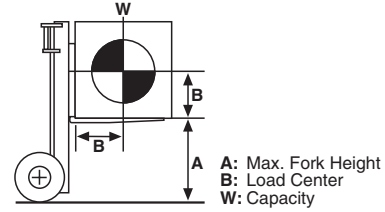
UNDERCLEARANCE

Mast (Full Load)	70
Drive Axle (Full Load)	70
Steer Axle (No Load)	120
Center of Wheelbase (Full Load)	90
Counterweight (No Load)	115

NOTE: [] for 7FBH20

RATED CAPACITIES

7FB20/7FBH20



V, SV, FV Mast Unit: kg (W)

A (mm)	4000	4500	5000
500	2000	1900	1650 [1800]
600	1800	1710	1480 [1620]
700	1640	1560	1350 [1470]
800	1500	1430	1240 [1350]
900	1390	1320	1150 [1250]
1000	1290	1230	1060 [1160]

[] for dual tire models.

FSV Mast

Unit: kg (W)

A (mm)	4000	4300	4700	5000	5500	6000
500	1900	1850	1800	1550 [1750]	1200 [1700]	900 [1500]
600	1710	1670	1620	1400 [1580]	1080 [1530]	810 [1350]
700	1560	1520	1480	1270 [1440]	990 [1400]	740 [1230]
800	1440	1400	1360	1170 [1320]	910 [1290]	680 [1130]
900	1330	1300	1260	1090 [1230]	840 [1190]	630 [1050]
1000	1240	1210	1170	1010 [1140]	780 [1110]	580 [980]

[] for dual tire models.

SPECIAL TREAD

Model		7FB20/7FBH20		
Front Tire	Single/Dual	Single	Single	Dual
Front Tire Size		21x8-9-14PR (I)	23x9-10-16PR (I)	6.00-9-10PR (I)
Overall Width	mm	1160	1220	1480
Tread, Front	mm	970	990	1130

SPECIAL MAST

Wide Visible Mast (V, SV), Wide Visible Full-Free Lift Two-Stage Mast (FV), Wide Visible Full-Free Lift Three-Stage Mast (FSV)

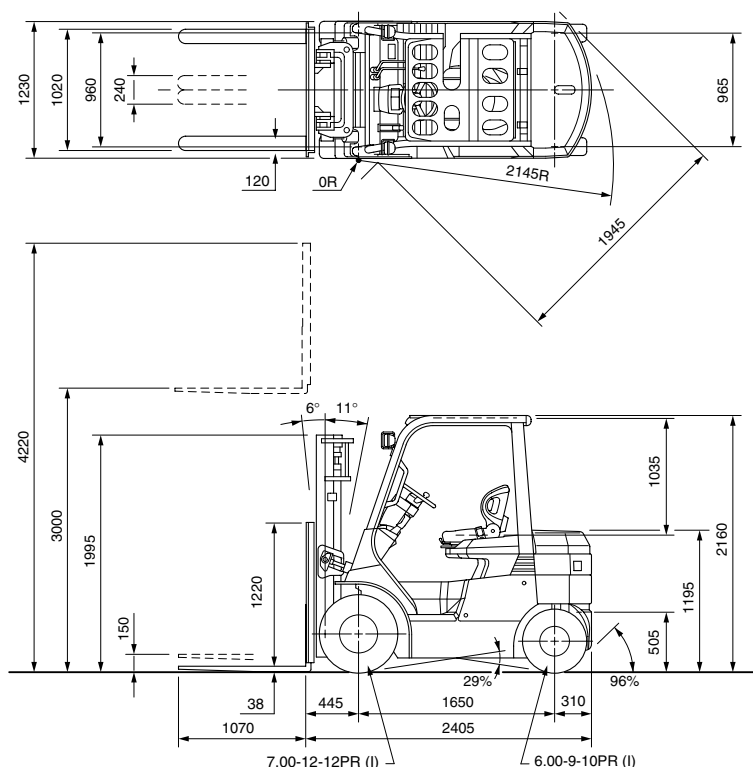
Model		7FB20/7FBH20										
Type of Mast		V, SV			FV			FSV				
PERFORMANCE												
Power Mode		H			P			S				
Speeds	Lifting	Full Load	mm/sec	360	270	270	330	250	250	330	250	250
		No Load	mm/sec	600	500	500	500	420	420	500	420	420
	Lowering	Full Load	mm/sec	500	500	500	480	480	480	480	480	480
		No Load	mm/sec	500	500	500	420	420	420	450	450	450
DIMENSIONS												
Load Distance (Centerline of front axle to front face of forks)		mm	420			420			450			

NOTE: H High power mode.
P Power mode.
S Standard mode.

DIMENSIONAL DRAWINGS

40-7FB20

Unit: mm



UNDERCLEARANCE

Mast (Full Load)	85
Drive Axle (Full Load)	125
Steer Axle (No Load)	150
Center of Wheelbase (Full Load)	110
Counterweight (No Load)	160

SPECIAL TREAD

Model		40-7FB20		
Front Tire	Single/Dual	Single	Dual	Dual
Front Tire Size		7.00-12-12PR (I)	5.50-15-8PR (I)	7.00-12-12PR (I)
Overall Width	mm	1230	1455	1610
Tread, Front	mm	960	1105	1190

SPECIAL MAST

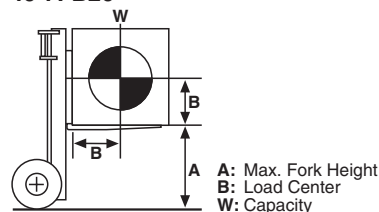
Wide Visible Mast (V, SV), Wide Visible Full-Free Lift Two-Stage Mast (FV), Wide Visible Full-Free Lift Three-Stage Mast (FSV)

Model		40-7FB20										
Type of Mast		V, SV			FV			FSV				
PERFORMANCE												
Power Mode		H	P	S	H	P	S	H	P	S		
Speeds	Lifting	Full Load	mm/sec	360	270	270	330	250	250	330	250	250
		No Load	mm/sec	600	500	500	500	420	420	500	420	420
	Lowering	Full Load	mm/sec	500	500	500	480	480	480	480	480	480
		No Load	mm/sec	500	500	500	420	420	420	450	450	450
DIMENSIONS												
Load Distance (Centerline of front axle to front face of forks)		mm	445			445			480			

NOTE: H High power mode.
P Power mode.
S Standard mode.

RATED CAPACITIES

40-7FB20



V, SV, FV Mast Unit: kg (W)

A (mm)	4000	4500	5000
500	2000	1900	1650 [1800]
600	1810	1720	1490 [1630]
700	1650	1570	1360 [1490]
800	1520	1440	1250 [1370]
900	1410	1340	1160 [1270]
1000	1310	1250	1080 [1180]

[] for dual tire models.

FSV Mast

Unit: kg (W)

A (mm)	4000	4300	4700	5000	5500	6000
500	1900	1850	1800	1550 [1750]	1200 [1700]	900 [1500]
600	1720	1670	1630	1400 [1580]	1080 [1540]	810 [1360]
700	1570	1530	1490	1280 [1450]	990 [1410]	740 [1240]
800	1450	1410	1370	1180 [1330]	910 [1300]	680 [1140]
900	1340	1310	1270	1100 [1240]	850 [1200]	630 [1060]
1000	1250	1220	1190	1020 [1150]	790 [1120]	590 [990]

[] for dual tire models.

MAST SPECIFICATIONS & RATED CAPACITIES

Wide Visible Mast (V), Wide Visible Mast (SV), Wide Visible Full-Free Lift Two-Stage Mast (FV), Wide Visible Full-Free Lift Three-Stage Mast (FSV)
7FB20/7FBH20

Mast Type	Maximum Fork Height	Overall Height				Free Lift		Single Tire			Dual Tire		
		* Lowered	Extended		Without Load Backrest	With Standard Load Backrest	Tilt Range		Load Capacity at 500 mm LC	Tilt Range		Load Capacity at 500 mm LC	
			Without Load Backrest	With Standard Load Backrest			FWD	BWD		FWD	BWD		
mm	mm	mm	mm	mm	mm	deg	deg	kg	deg	deg	kg		
V	2000	1475	2670	3220	125	125	7	9	2000	7	9	2000	
	2500	1725	3170	3720	125	125	7	11	2000	7	11	2000	
	2700	1825	3370	3920	125	125	7	11	2000	7	11	2000	
	3000	1975	3670	4220	125	125	7	11	2000	7	11	2000	
	3300	2125	3970	4520	125	125	7	11	2000	7	11	2000	
	3500	2225	4170	4720	125	125	7	11	2000	7	11	2000	
	3700	2385	4370	4920	125	125	7	11	2000	7	11	2000	
	4000	2575	4670	5220	125	125	7	11	2000	7	11	2000	
	4500	2825	5170	5720	125	125	7	5	1900	7	5	1900	
5000	3075	5670	6220	125	125	7	5	1650	7	5	1800		
SV	2000	1475	2695	3220	375	375	7	9	2000	7	9	2000	
	2500	1725	3195	3720	375	375	7	11	2000	7	11	2000	
	2700	1825	3395	3920	375	375	7	11	2000	7	11	2000	
	3000	1975	3695	4220	375	375	7	11	2000	7	11	2000	
	3300	2125	3995	4520	375	375	7	11	2000	7	11	2000	
	3500	2225	4195	4720	375	375	7	11	2000	7	11	2000	
	3700	2385	4395	4920	375	375	7	11	2000	7	11	2000	
	4000	2575	4695	5220	375	375	7	11	2000	7	11	2000	
	4500	2825	5195	5720	375	375	7	5	1900	7	5	1900	
5000	3075	5695	6220	375	375	7	5	1650	7	5	1800		
FV	2000	1475	2605	3220	870*	255*	7	9	2000	7	9	2000	
	2500	1725	3105	3720	1120*	505*	7	11	2000	7	11	2000	
	2700	1825	3305	3920	1220*	605*	7	11	2000	7	11	2000	
	3000	1975	3605	4220	1370*	755*	7	11	2000	7	11	2000	
	3300	2125	3905	4520	1520*	905*	7	11	2000	7	11	2000	
	3500	2225	4105	4720	1620*	1005*	7	11	2000	7	11	2000	
	3700	2385	4305	4920	1780*	1165*	7	11	2000	7	11	2000	
	4000	2575	4605	5220	1970*	1355*	7	11	2000	7	11	2000	
	FSV	3700	1775	4345	4920	1130*	555*	7	5	1900	7	5	1900
4000		1875	4645	5220	1230*	655*	7	5	1900	7	5	1900	
4300		1975	4945	5520	1330*	755*	7	5	1850	7	5	1850	
4500		2045	5145	5720	1400*	825*	7	5	1800	7	5	1800	
4700		2125	5345	5920	1480*	905*	7	5	1800	7	5	1800	
5000		2225	5645	6220	1580*	1005*	7	5	1550	7	5	1750	
5500		2385	6145	6720	1740*	1165*	7	5	1200	7	5	1700	
6000		2575	6645	7220	1930*	1355*	7	5	900	7	5	1500	

NOTE: Height of standard load backrest is 1220 mm.

* with optional tire size; 23x9-10-16PR (I), plus 20 mm.

40-7FB20

Mast Type	Maximum Fork Height	Overall Height				Free Lift		Single Tire			Dual Tire		
		Lowered	Extended		Without Load Backrest	With Standard Load Backrest	Tilt Range		Load Capacity at 500 mm LC	Tilt Range		Load Capacity at 500 mm LC	
			Without Load Backrest	With Standard Load Backrest			FWD	BWD		FWD	BWD		
mm	mm	mm	mm	mm	mm	deg	deg	kg	deg	deg	kg		
V	2000	1495	2660	3220	150	150	6	9	2000	6	9	2000	
	2500	1745	3160	3720	150	150	6	11	2000	6	11	2000	
	2700	1845	3360	3920	150	150	6	11	2000	6	11	2000	
	3000	1995	3660	4220	150	150	6	11	2000	6	11	2000	
	3300	2145	3960	4520	150	150	6	11	2000	6	11	2000	
	3500	2245	4160	4720	150	150	6	11	2000	6	11	2000	
	3700	2405	4360	4920	150	150	6	11	2000	6	11	2000	
	4000	2595	4660	5220	150	150	6	11	2000	6	11	2000	
	4500	2845	5160	5720	150	150	6	6	1900	6	6	1900	
5000	3095	5660	6220	150	150	6	6	1650	6	6	1800		
SV	2000	1495	2675	3220	375	375	6	9	2000	6	9	2000	
	2500	1745	3175	3720	375	375	6	11	2000	6	11	2000	
	2700	1845	3375	3920	375	375	6	11	2000	6	11	2000	
	3000	1995	3675	4220	375	375	6	11	2000	6	11	2000	
	3300	2145	3975	4520	375	375	6	11	2000	6	11	2000	
	3500	2245	4175	4720	375	375	6	11	2000	6	11	2000	
	3700	2405	4375	4920	375	375	6	11	2000	6	11	2000	
	4000	2595	4675	5220	375	375	6	11	2000	6	11	2000	
	4500	2845	5175	5720	375	375	6	6	1900	6	6	1900	
5000	3095	5675	6220	375	375	6	6	1650	6	6	1800		
FV	2000	1495	2600	3220	895	275	6	9	2000	6	9	2000	
	2500	1745	3100	3720	1145	525	6	11	2000	6	11	2000	
	2700	1845	3300	3920	1245	625	6	11	2000	6	11	2000	
	3000	1995	3600	4220	1395	775	6	11	2000	6	11	2000	
	3300	2145	3900	4520	1545	925	6	11	2000	6	11	2000	
	3500	2245	4100	4720	1645	1025	6	11	2000	6	11	2000	
	3700	2405	4300	4920	1805	1185	6	11	2000	6	11	2000	
	4000	2595	4600	5220	1995	1375	6	11	2000	6	11	2000	
	FSV	3700	1795	4270	4920	1225	575	6	6	1900	6	6	1900
4000		1895	4570	5220	1325	675	6	6	1900	6	6	1900	
4300		1995	4870	5520	1425	775	6	6	1850	6	6	1850	
4500		2065	5070	5720	1495	845	6	6	1800	6	6	1800	
4700		2145	5270	5920	1575	925	6	6	1800	6	6	1800	
5000		2245	5570	6220	1675	1025	6	6	1550	6	6	1750	
5500		2405	6070	6720	1835	1185	6	6	1200	6	6	1700	
6000		2595	6570	7220	2025	1375	6	6	900	6	6	1500	

NOTE: Height of standard load backrest is 1220 mm.

MAIN VEHICLE SPECIFICATIONS

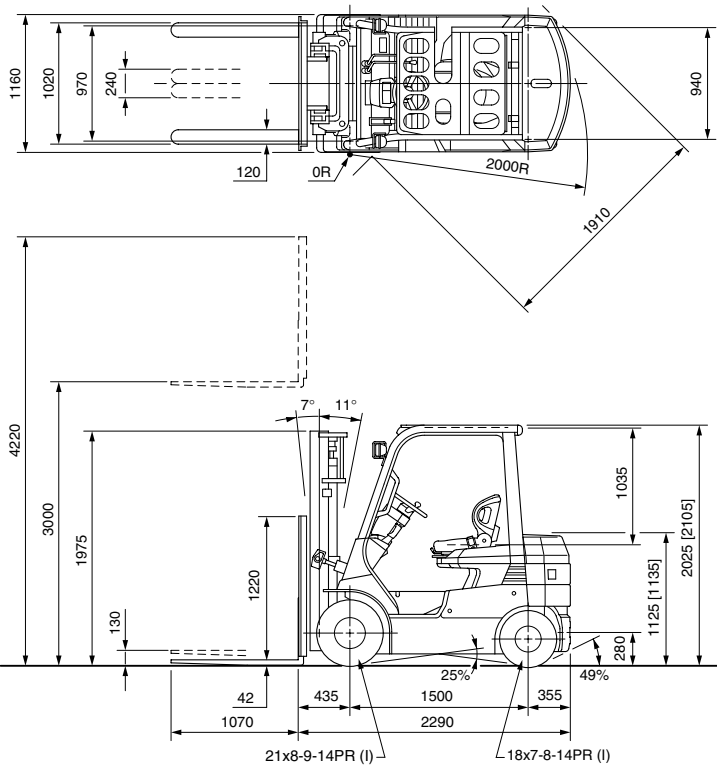
1	Manufacturer			TOYOTA	TOYOTA	TOYOTA	
2	Model			7FB25	7FBH25	40-7FB25	
3	Load Capacity	kg		2500	2500	2500	
4	Load Center	mm		500	500	500	
5	Power Type			Battery	Battery	Battery	
6	Operator Position			Rider Seated	Rider Seated	Rider Seated	
7	Tire Type	Front/Rear		Pneumatic	Pneumatic	Pneumatic	
8	Wheels (x = driven)	Front/Rear		2x/2	2x/2	2x/2	
9	Maximum Fork Height (MFH)	mm		3000	3000	3000	
10	Free Lift	mm		130	130	155	
13	Fork Size	T x W x L	mm	42x120x1070	42x120x1070	42x120x1070	
	Fork Spread (Outside)	MAX./MIN.	mm	1020/240	1020/240	1020/240	
14	Tilt Range	FWD/BWD	deg	7/11	7/11	6/11	
15	Length to Fork Face		mm	2290	2290	2435	
16	Overall Width		mm	1160	1160	1230	
17	Mast Lowered Height		mm	1975	1975	1995	
18	Mast Extended Height		mm	4220	4220	4220	
19	Overhead Guard Height		mm	2025	2105	2160	
21	Turning Radius (Outside)		mm	2000	2000	2170	
22	Load Distance (Centerline of front axle to front face of forks)		mm	435	435	475	
	Rear Overhang		mm	355	355	310	
23	Basic Right Angle Stacking Aisle Width (Add load length and clearance)		mm	2430	2430	2640	
24	Speeds	Travel, Max. (FWD/RVS)	Full Load	km/h	14/14	14/14	14.5/14.5
			No Load	km/h	16/16	16/16	15.5/15.5
		Lifting	Full Load	mm/sec	340	340	340
			No Load	mm/sec	600	600	600
26	Lowering	Full Load	mm/sec	500	500	500	
			No Load	mm/sec	500	500	500
27	Drawbar Pull *	Full Load/ No Load	3-Minute Ratings	N	10000/8920	10000/8920	11470/11380
			5-Minute Ratings	N	10000/8920	10000/8920	11470/11380
			60-Minute Ratings	N	4510/4810	4510/4810	5200/5300
29	Gradeability *	Full Load/ No Load	3-Minute Ratings	% (tanθ)	16/20	16/20	16/23
			5-Minute Ratings	% (tanθ)	16/20	16/20	16/23
			30-Minute Ratings	% (tanθ)	12/20	12/20	13/20
32	Total Weight	Without Battery		kg	3105	3085	3475
33	Weight Distribution (With STD Battery)	Full Load	Front	kg	5700	5800	6490
			Rear	kg	765	845	725
34		No Load	Front	kg	1650	1750	2470
			Rear	kg	2315	2395	2245
35	Number	Front/Rear			2/2	2/2	2/2
36	Tires	Front			21x8-9-14PR (I)	21x8-9-14PR (I)	7.00-12-12PR (I)
37		Size	Rear		18x7-8-14PR (I)	18x7-8-14PR (I)	6.00-9-10PR (I)
38	Wheelbase		mm	1500	1500	1650	
39	Tread	Front	mm	970	970	960	
		Rear	mm	940	940	965	
	Backrest Height		mm	1220	1220	1220	
	Overhead Guard Clearance		mm	1035	1035	1035	
	Counterweight Height		mm	1125	1135	1195	
	Drawbar Pin Center Height		mm	280	280	505	
	Step Height (Left-Right)/Floor Height		mm	(435-465)/620	(435-465)/700	(490-505)/755	
40	Underclearance	Min. <Mast>	mm	65	65	75	
41	(Full Load)	Center of Wheelbase	mm	85	85	110	
	Grade Clearance	Frame/Counterweight	% (tanθ)	25/49	25/49	29/96	
42	Brake	Service (Foot)			Hydraulic	Hydraulic	Hydraulic
43		Parking				Hand	Hand
45	Battery	Voltage/Capacity (5-hour rating)	STD High	V/AH	48/565	48/730	48/845
46		Weight (STD Capacity Type)		kg	48/600	—	—
47	Drive			kW	860	1060	1245
48	Electric Motors	Load Handling		kW	10.7	10.7	10.7
		Power Steering [] w/o SAS**		kW	12.2	12.2	12.2
54	Control Type	Drive			1.0 [0.9]	1.0 [0.9]	1.0 [0.9]
		Load Handling			Transistor inverter	Transistor inverter	Transistor inverter
		Power Steering			Transistor inverter	Transistor inverter	Transistor inverter
					Transistor chopper	Transistor chopper	Transistor chopper
57	Operating Pressure	For Attachments	Mpa (psi)		14.7 (2100)	14.7 (2100)	14.7 (2100)

NOTE: * Computed values.
** System of active stability.

DIMENSIONAL DRAWINGS

7FB25/7FBH25

Unit: mm



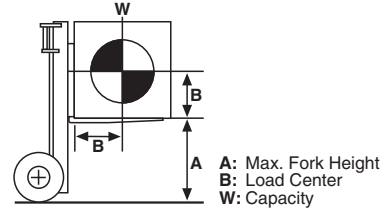
UNDERCLEARANCE

- Mast (Full Load)..... 65
- Drive Axle (Full Load)..... 65
- Steer Axle (No Load) 120
- Center of Wheelbase (Full Load) 85
- Counterweight (No Load)..... 115

NOTE: [] for 7FBH25

RATED CAPACITIES

7FB25/7FBH25



V, SV, FV Mast Unit: kg (W)

A (mm)	4000	4500	5000
500	2500	2300 [2450]	1800 [2350]
600	2250	2070 [2210]	1620 [2120]
700	2050	1890 [2010]	1480 [1930]
800	1890	1730 [1850]	1360 [1770]
900	1740	1600 [1710]	1250 [1640]
1000	1620	1490 [1590]	1170 [1520]

[] for dual tire models.

FSV Mast Unit: kg (W)

A (mm)	4000	4300	4700	5000	5500	6000
500	2400	2300 [2400]	2050 [2300]	1650 [2200]	1250 [2000]	1000 [1550]
600	2170	2080 [2170]	1850 [2080]	1490 [1990]	1130 [1810]	900 [1400]
700	1980	1900 [1980]	1690 [1900]	1360 [1820]	1030 [1650]	820 [1280]
800	1820	1750 [1820]	1560 [1750]	1250 [1670]	950 [1520]	760 [1180]
900	1690	1620 [1690]	1440 [1620]	1160 [1550]	880 [1410]	700 [1090]
1000	1570	1510 [1570]	1340 [1510]	1080 [1440]	820 [1310]	650 [1010]

[] for dual tire models.

SPECIAL TREAD

Model		7FB25/7FBH25		
Front Tire	Single/Dual	Single	Single	Dual
Front Tire Size		21x8-9-14PR (I)	23x9-10-16PR (I)	6.00-9-10PR (I)
Overall Width	mm	1160	1220	1480
Tread, Front	mm	970	990	1130

SPECIAL MAST

Wide Visible Mast (V, SV), Wide Visible Full-Free Lift Two-Stage Mast (FV), Wide Visible Full-Free Lift Three-Stage Mast (FSV)

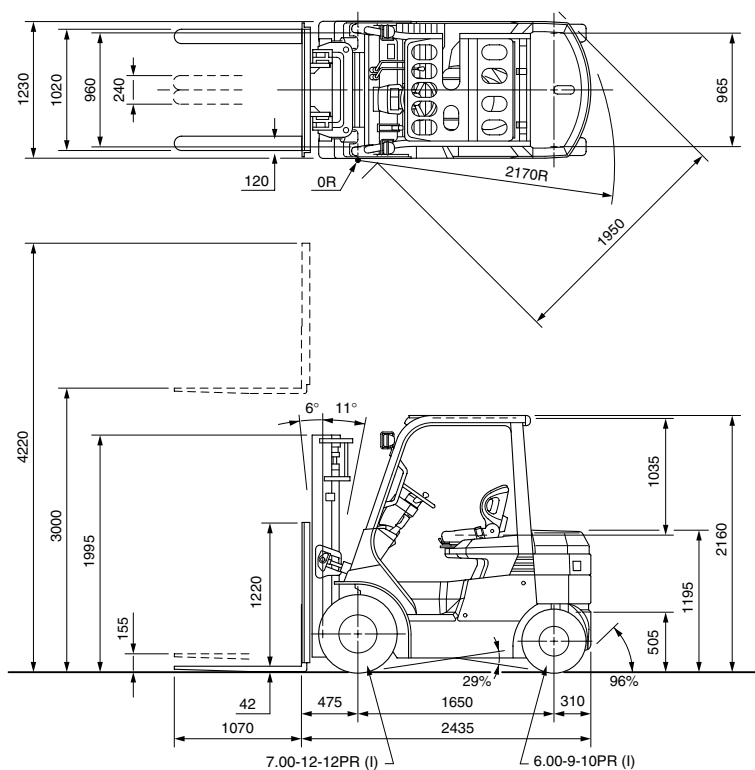
Model		7FB25/7FBH25										
Type of Mast		V, SV			FV			FSV				
PERFORMANCE												
Power Mode		H	P	S	H	P	S	H	P	S		
Speeds	Lifting	Full Load	mm/sec	340	260	260	320	240	240	320	240	240
		No Load	mm/sec	600	500	500	500	420	420	500	420	420
	Lowering	Full Load	mm/sec	500	500	500	480	480	480	480	480	480
		No Load	mm/sec	500	500	500	420	420	420	450	450	450
DIMENSIONS												
Load Distance (Centerline of front axle to front face of forks)		mm	435			435			460			

NOTE: H High power mode.
P Power mode.
S Standard mode.

DIMENSIONAL DRAWINGS

40-7FB25

Unit: mm



UNDERCLEARANCE

Mast (Full Load)	75
Drive Axle (Full Load)	115
Steer Axle (No Load)	150
Center of Wheelbase (Full Load)	110
Counterweight (No Load)	160

SPECIAL TREAD

Model		40-7FB25		
Front Tire	Single/Dual	Single	Dual	Dual
Front Tire Size		7.00-12-12PR (I)	5.50-15-8PR (I)	7.00-12-12PR (I)
Overall Width	mm	1230	1455	1610
Tread, Front	mm	960	1105	1190

SPECIAL MAST

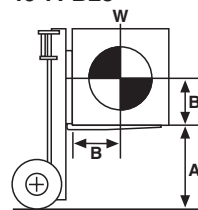
Wide Visible Mast (V, SV), Wide Visible Full-Free Lift Two-Stage Mast (FV), Wide Visible Full-Free Lift Three-Stage Mast (FSV)

Model		40-7FB25																	
Type of Mast		V, SV			FV			FSV											
PERFORMANCE																			
Power Mode																			
		H			P			S			H			P			S		
Speeds	Lifting	Full Load	mm/sec	340	260	260	320	240	240	320	240	240	320	240	240				
		No Load	mm/sec	600	500	500	500	420	420	500	420	420	500	420	420				
	Lowering	Full Load	mm/sec	500	500	500	480	480	480	480	480	480	480	480	480				
		No Load	mm/sec	500	500	500	420	420	420	450	450	450	450	450	450				
DIMENSIONS																			
Load Distance (Centerline of front axle to front face of forks)		mm	475			475			490			490							

NOTE: H High power mode.
P Power mode.
S Standard mode.

RATED CAPACITIES

40-7FB25



A: Max. Fork Height
B: Load Center
W: Capacity

V, SV, FV Mast Unit: kg (W)

A (mm)	4000	4500	5000
500	2500	2300	1800
	[2450]	[2350]	
600	2260	2080	1630
	[2220]	[2130]	
700	2070	1900	1490
	[2030]	[1940]	
800	1910	1750	1370
	[1870]	[1790]	
900	1770	1620	1270
	[1730]	[1660]	
1000	1650	1510	1180
	[1610]	[1550]	

[] for dual tire models.

FSV Mast

Unit: kg (W)

A (mm)	4000	4300	4700	5000	5500	6000
500	2400	2300	2050	1650	1250	1000
	[2400]	[2300]	[2200]	[2000]	[1550]	
600	2170	2080	1860	1490	1130	900
	[2170]	[2080]	[1990]	[1810]	[1400]	
700	1990	1910	1700	1370	1030	830
	[1990]	[1910]	[1830]	[1660]	[1280]	
800	1840	1760	1570	1260	950	760
	[1840]	[1760]	[1680]	[1530]	[1180]	
900	1700	1630	1460	1170	890	710
	[1700]	[1630]	[1560]	[1420]	[1100]	
1000	1590	1520	1360	1090	830	660
	[1590]	[1520]	[1460]	[1320]	[1020]	

[] for dual tire models.

MAST SPECIFICATIONS & RATED CAPACITIES

Wide Visible Mast (V), Wide Visible Mast (SV), Wide Visible Full-Free Lift Two-Stage Mast (FV), Wide Visible Full-Free Lift Three-Stage Mast (FSV)
7FB25/7FBH25

Mast Type	Maximum Fork Height	Overall Height				Free Lift		Single Tire			Dual Tire		
		* Lowered	Extended		Without Load Backrest	With Standard Load Backrest	Tilt Range		Load Capacity at 500 mm LC	Tilt Range		Load Capacity at 500 mm LC	
			Without Load Backrest	With Standard Load Backrest			FWD	BWD		FWD	BWD		
mm	mm	mm	mm	mm	mm	deg	deg	kg	deg	deg	kg		
V	2000	1475	2665	3220	130	130	7	9	2500	7	9	2500	
	2500	1725	3165	3720	130	130	7	11	2500	7	11	2500	
	2700	1825	3365	3920	130	130	7	11	2500	7	11	2500	
	3000	1975	3665	4220	130	130	7	11	2500	7	11	2500	
	3300	2125	3965	4520	130	130	7	11	2500	7	11	2500	
	3500	2225	4165	4720	130	130	7	11	2500	7	11	2500	
	3700	2385	4365	4920	130	130	7	11	2500	7	11	2500	
	4000	2575	4665	5220	130	130	7	5	2500	7	11	2500	
	4500	2825	5165	5720	130	130	7	5	2300	7	5	2450	
	5000	3075	5665	6220	130	130	7	5	1800	7	5	2350	
SV	2000	1475	2690	3220	380	380	7	9	2500	7	9	2500	
	2500	1725	3190	3720	380	380	7	11	2500	7	11	2500	
	2700	1825	3390	3920	380	380	7	11	2500	7	11	2500	
	3000	1975	3690	4220	380	380	7	11	2500	7	11	2500	
	3300	2125	3990	4520	380	380	7	11	2500	7	11	2500	
	3500	2225	4190	4720	380	380	7	11	2500	7	11	2500	
	3700	2385	4390	4920	380	380	7	11	2500	7	11	2500	
	4000	2575	4690	5220	380	380	7	5	2500	7	11	2500	
	4500	2825	5190	5720	380	380	7	5	2300	7	5	2450	
	5000	3075	5690	6220	380	380	7	5	1800	7	5	2350	
FV	2000	1475	2600	3220	875*	255*	7	9	2500	7	9	2500	
	2500	1725	3100	3720	1125*	505*	7	11	2500	7	11	2500	
	2700	1825	3300	3920	1225*	605*	7	11	2500	7	11	2500	
	3000	1975	3600	4220	1375*	755*	7	11	2500	7	11	2500	
	3300	2125	3900	4520	1525*	905*	7	11	2500	7	11	2500	
	3500	2225	4100	4720	1625*	1005*	7	11	2500	7	11	2500	
	3700	2385	4300	4920	1785*	1165*	7	11	2500	7	11	2500	
	4000	2575	4600	5220	1975*	1355*	7	5	2500	7	11	2500	
	FSV	3700	1775	4340	4920	1135*	555*	7	5	2400	7	5	2400
		4000	1875	4640	5220	1235*	655*	7	5	2400	7	5	2400
4300		1975	4940	5520	1335*	755*	7	5	2300	7	5	2400	
4500		2045	5140	5720	1405*	825*	7	5	2050	7	5	2300	
4700		2125	5340	5920	1485*	905*	7	5	2050	7	5	2300	
5000		2225	5640	6220	1585*	1005*	7	5	1650	7	5	2200	
5500		2385	6140	6720	1745*	1165*	7	5	1250	7	5	2000	
6000		2575	6640	7220	1935*	1355*	7	5	1000	7	5	1550	

NOTE: Height of standard load backrest is 1220 mm.
 * with optional tire size; 23x9-10-16PR (I). plus 20 mm.

40-7FB25

Mast Type	Maximum Fork Height	Overall Height				Free Lift		Single Tire			Dual Tire		
		Lowered	Extended		Without Load Backrest	With Standard Load Backrest	Tilt Range		Load Capacity at 500 mm LC	Tilt Range		Load Capacity at 500 mm LC	
			Without Load Backrest	With Standard Load Backrest			FWD	BWD		FWD	BWD		
mm	mm	mm	mm	mm	mm	deg	deg	kg	deg	deg	kg		
V	2000	1495	2650	3220	155	155	6	9	2500	6	9	2500	
	2500	1745	3150	3720	155	155	6	11	2500	6	11	2500	
	2700	1845	3350	3920	155	155	6	11	2500	6	11	2500	
	3000	1995	3650	4220	155	155	6	11	2500	6	11	2500	
	3300	2145	3950	4520	155	155	6	11	2500	6	11	2500	
	3500	2245	4150	4720	155	155	6	11	2500	6	11	2500	
	3700	2405	4350	4920	155	155	6	11	2500	6	11	2500	
	4000	2595	4650	5220	155	155	6	6	2500	6	11	2500	
	4500	2845	5150	5720	155	155	6	6	2300	6	6	2450	
	5000	3095	5650	6220	155	155	6	6	1800	6	6	2350	
SV	2000	1495	2675	3220	380	380	6	9	2500	6	9	2500	
	2500	1745	3175	3720	380	380	6	11	2500	6	11	2500	
	2700	1845	3375	3920	380	380	6	11	2500	6	11	2500	
	3000	1995	3675	4220	380	380	6	11	2500	6	11	2500	
	3300	2145	3975	4520	380	380	6	11	2500	6	11	2500	
	3500	2245	4175	4720	380	380	6	11	2500	6	11	2500	
	3700	2405	4375	4920	380	380	6	11	2500	6	11	2500	
	4000	2595	4675	5220	380	380	6	6	2500	6	11	2500	
	4500	2845	5175	5720	380	380	6	6	2300	6	6	2450	
	5000	3095	5675	6220	380	380	6	6	1800	6	6	2350	
FV	2000	1495	2595	3220	900	275	6	9	2500	6	9	2500	
	2500	1745	3095	3720	1150	525	6	11	2500	6	11	2500	
	2700	1845	3295	3920	1250	625	6	11	2500	6	11	2500	
	3000	1995	3595	4220	1400	775	6	11	2500	6	11	2500	
	3300	2145	3895	4520	1550	925	6	11	2500	6	11	2500	
	3500	2245	4095	4720	1650	1025	6	11	2500	6	11	2500	
	3700	2405	4295	4920	1810	1185	6	11	2500	6	11	2500	
	4000	2595	4595	5220	2000	1375	6	6	2500	6	11	2500	
FSV	3700	1795	4265	4920	1230	575	6	6	2400	6	6	2400	
	4000	1895	4565	5220	1330	675	6	6	2400	6	6	2400	
	4300	1995	4865	5520	1430	775	6	6	2300	6	6	2400	
	4500	2065	5065	5720	1500	845	6	6	2050	6	6	2300	
	4700	2145	5265	5920	1580	925	6	6	2050	6	6	2300	
	5000	2245	5565	6220	1680	1025	6	6	1650	6	6	2200	
	5500	2405	6065	6720	1840	1185	6	6	1250	6	6	2000	
	6000	2595	6565	7220	2030	1375	6	6	1000	6	6	1550	

NOTE: Height of standard load backrest is 1220 mm.

7FB30 7FBJ35

MAIN VEHICLE SPECIFICATIONS

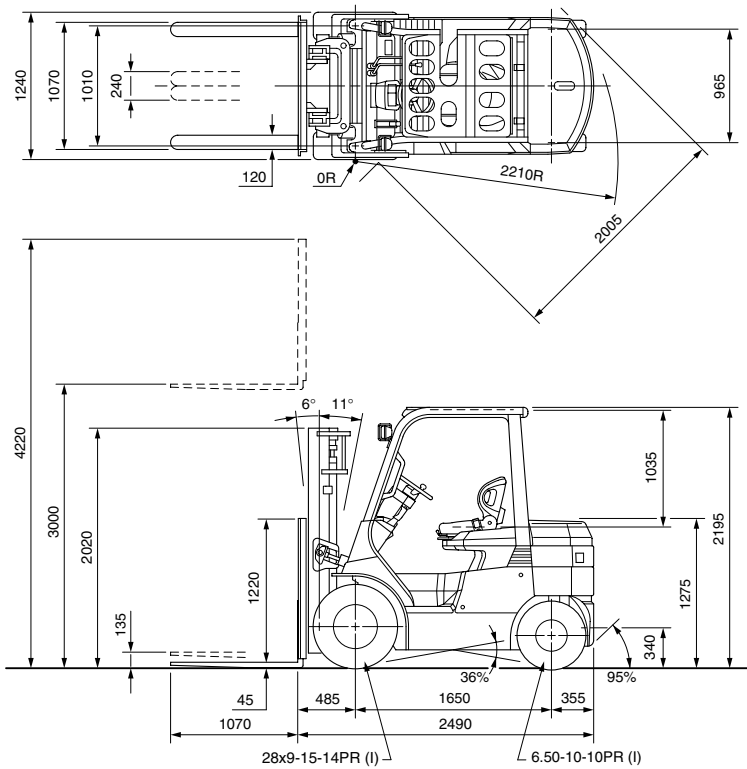
1	Manufacturer			TOYOTA	TOYOTA	
2	Model			7FB30	7FBJ35	
3	Load Capacity	kg		3000	3500	
4	Load Center	mm		500	500	
5	Power Type			Battery	Battery	
6	Operator Position			Rider Seated	Rider Seated	
7	Tire Type	Front/Rear		Pneumatic	Pneumatic	
8	Wheels (x = driven)	Front/Rear		2x/2	2x/2	
9	Maximum Fork Height (MFH)	mm		3000	3000	
10	Free Lift	mm		135	140	
13	Fork Size	T x W x L	mm	45x120x1070	50x140x1070	
	Fork Spread (Outside)	MAX./MIN.	mm	1070/240	1070/280	
14	Tilt Range	FWD/BWD	deg	6/11	6/11	
15	Length to Fork Face		mm	2490	2575	
16	Overall Width		mm	1240	1240	
17	Mast Lowered Height		mm	2020	2110	
18	Mast Extended Height		mm	4220	4220	
19	Overhead Guard Height		mm	2195	2195	
21	Turning Radius (Outside)		mm	2210	2270	
22	Load Distance (Centerline of front axle to front face of forks)		mm	485	500	
	Rear Overhang		mm	355	425	
23	Basic Right Angle Stacking Aisle Width (Add load length and clearance)		mm	2695	2770	
24	Speeds	Travel, Max. (FWD/RVS)	Full Load	km/h	14/14	13/13
			No Load	km/h	15/15	15/15
		Lifting	Full Load	mm/sec	320	270
			No Load	mm/sec	550	460
26	Lowering	Full Load	mm/sec	500	500	
		No Load	mm/sec	500	450	
27	Drawbar Pull *	Full Load/ No Load	3-Minute Ratings	N	12160/11470	12060/12160
			5-Minute Ratings	N	12160/11470	12060/12160
			60-Minute Ratings	N	5300/5590	5100/5490
29	Gradeability *	Full Load/ No Load	3-Minute Ratings	% (tanθ)	16/22	14/20
			5-Minute Ratings	% (tanθ)	16/22	14/20
			30-Minute Ratings	% (tanθ)	11/19	9/17
32	Total Weight	Without Battery		kg	3800	4360
33	Weight Distribution (With STD Battery)	Full Load	Front	kg	6930	7860
			Rear	kg	810	940
34		No Load	Front	kg	2140	2230
			Rear	kg	2600	3070
35		Number	Front/Rear		2/2	2/2
36	Tires	Size	Front		28x9-15-14PR (I)	28x9-15-14PR (I)
37			Rear		6.50-10-10PR (I)	6.50-10-14PR (I)
38	Wheelbase			mm	1650	1650
39	Tread		Front	mm	1010	1010
			Rear	mm	965	965
	Backrest Height			mm	1220	1220
	Overhead Guard Clearance			mm	1035	1035
	Counterweight Height			mm	1275	1275
	Drawbar Pin Center Height			mm	340	340
	Step Height (Left-Right)/Floor Height			mm	(515-535)/785	(515-535)/785
40	Underclearance	Min. <Mast>		mm	115	115
41	(Full Load)	Center of Wheelbase		mm	140	140
	Grade Clearance	Frame/Counterweight		% (tanθ)	36/95	36/66
42	Brake	Service (Foot)			Hydraulic	Hydraulic
43		Parking				Hand
45	Battery	Voltage/Capacity (5-hour rating)	STD	V/AH	80/370	80/370
			High	V/AH	80/470	80/470
46		Weight (STD Capacity Type)		kg	940	940
47		Drive		kW	11.9	11.9
48	Electric Motors	Load Handling		kW	14.4	14.4
		Power Steering [] w/o SAS**		kW	1.2 [1.0]	1.2 [1.0]
54	Control Type	Drive			Transistor inverter	Transistor inverter
		Load Handling			Transistor inverter	Transistor inverter
		Power Steering				Transistor chopper
57	Operating Pressure	For Attachments		Mpa (psi)	14.7 (2100)	14.7 (2100)

NOTE: * Computed values.

** System of active stability.

DIMENSIONAL DRAWINGS

Unit: mm



UNDERCLEARANCE

Mast (Full Load)	115
Drive Axle (Full Load)	155
Steer Axle (No Load)	180
Center of Wheelbase (Full Load)	140
Counterweight (No Load)	185

SPECIAL TREAD

Model		7FB30		
Front Tire	Single/Dual	Single	Dual	Dual
Front Tire Size		28x9-15-14PR (I)	6.00-15-10PR (I)	28x8-15-12PR (I)
Overall Width	mm	1240	1475	1675
Tread, Front	mm	1010	1105	1240

SPECIAL MAST

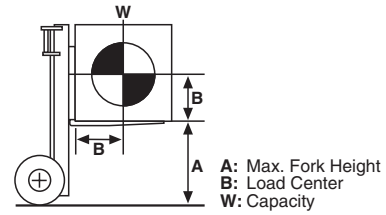
Wide Visible Mast (V, SV), Wide Visible Full-Free Lift Two-Stage Mast (FV), Wide Visible Full-Free Lift Three-Stage Mast (FSV)

Model		7FB30										
Type of Mast		V, SV			FV			FSV				
PERFORMANCE												
Power Mode		H	P	S	H	P	S	H	P	S		
Speeds	Lifting	Full Load	mm/sec	320	230	230	280	200	200	280	200	200
		No Load	mm/sec	550	410	410	460	340	340	460	340	340
	Lowering	Full Load	mm/sec	500	500	500	460	460	460	460	460	460
		No Load	mm/sec	500	500	500	390	390	390	420	420	420
DIMENSIONS												
Load Distance (Centerline of front axle to front face of forks)		mm	485			485			495			

NOTE: H High power mode.
P Power mode.
S Standard mode.

RATED CAPACITIES

7FB30



V, SV, FV Mast Unit: kg (W)

A (mm)	4000	4500	5000
500	3000	2850 [3000]	2350 [3000]
600	2720	2580 [2720]	2130 [2720]
700	2490	2360 [2490]	1950 [2490]
800	2290	2180 [2290]	1800 [2290]
900	2130	2020 [2130]	1670 [2130]
1000	1980	1880 [1980]	1550 [1980]

[] for dual tire models.

FSV Mast Unit: kg (W)

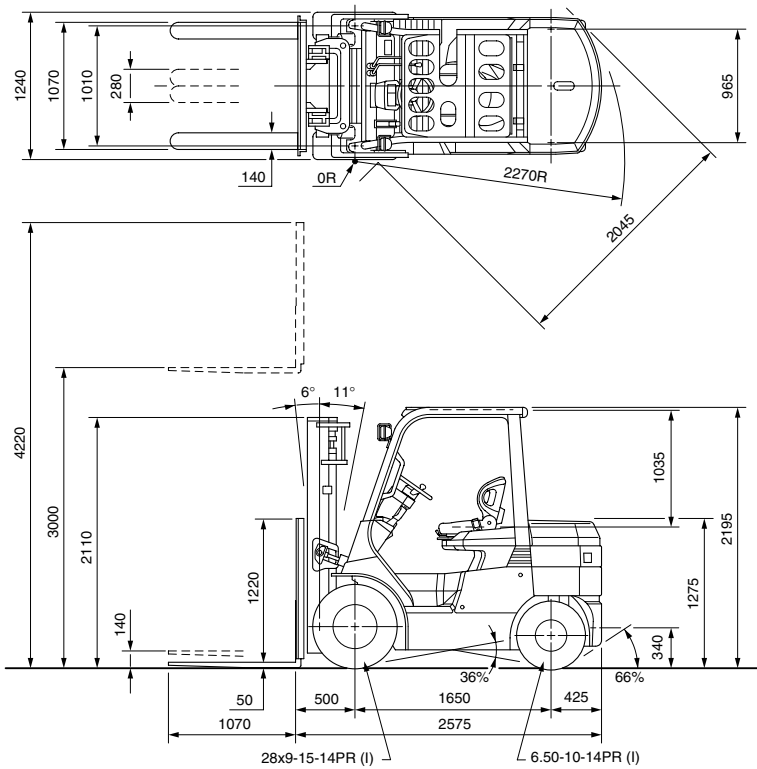
A (mm)	4300	4700	5000	5500	6000
500	3000	2800 [3000]	2400 [2900]	1900 [2650]	1450 [2050]
600	2720	2540 [2720]	2180 [2630]	1720 [2400]	1310 [1860]
700	2490	2330 [2490]	1990 [2410]	1580 [2200]	1200 [1700]
800	2300	2150 [2300]	1840 [2220]	1450 [2030]	1110 [1570]
900	2130	1990 [2130]	1710 [2060]	1350 [1880]	1030 [1460]
1000	1990	1860 [1990]	1590 [1920]	1260 [1760]	960 [1360]

[] for dual tire models.

DIMENSIONAL DRAWINGS

7FBJ35

Unit: mm



UNDERCLEARANCE

Mast (Full Load)	115
Drive Axle (Full Load)	155
Steer Axle (No Load)	180
Center of Wheelbase (Full Load)	140
Counterweight (No Load)	185

SPECIAL TREAD

Model		7FBJ35		
Front Tire	Single/Dual	Single	Dual	Dual
Front Tire Size		28x9-15-14PR (I)	6.00-15-10PR (I)	28x8-15-12PR (I)
Overall Width	mm	1240	1525	1725
Tread, Front	mm	1010	1155	1290

SPECIAL MAST

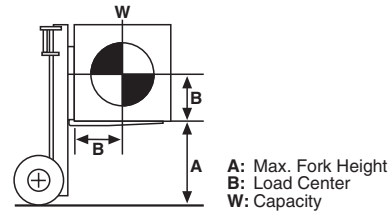
Wide Visible Mast (V), Wide Visible Full-Free Lift Two-Stage Mast (FV), Wide Visible Full-Free Lift Three-Stage Mast (FSV)

Model		7FBJ35										
Type of Mast		V			FV			FSV				
PERFORMANCE												
Power Mode		H	P	S	H	P	S	H	P	S		
Speeds	Lifting	Full Load	mm/sec	270	190	190	230	160	160	230	160	160
		No Load	mm/sec	460	340	340	380	280	280	380	280	280
	Lowering	Full Load	mm/sec	500	500	500	460	460	460	460	460	460
		No Load	mm/sec	450	450	450	390	390	390	420	420	420
DIMENSIONS												
Load Distance (Centerline of front axle to front face of forks)		mm	500			500			510			

NOTE: H High power mode.
P Power mode.
S Standard mode.

RATED CAPACITIES

7FBJ35



V, FV Mast Unit: kg (W)

A (mm)	4000	4500	5000
500	3500 [3500]	3350 [3400]	2750 [3400]
600	3180 [3180]	3040 [3090]	2490 [3090]
700	2910 [2910]	2790 [2830]	2290 [2830]
800	2690 [2690]	2570 [2610]	2110 [2610]
900	2490 [2490]	2390 [2420]	1960 [2420]
1000	2330 [2330]	2230 [2260]	1830 [2260]

[] for dual tire models.

FSV Mast Unit: kg (W)

A (mm)	4300	4700	5000	5500	6000
500	3500 [3400]	2900 [3400]	2500 [3300]	1950 [2900]	1500 [2200]
600	3180 [3090]	2630 [3000]	2270 [3000]	1770 [2630]	1360 [2000]
700	2920 [2830]	2420 [2750]	2080 [2750]	1620 [2420]	1250 [1830]
800	2690 [2620]	2230 [2540]	1920 [2230]	1500 [2230]	1150 [1690]
900	2500 [2430]	2070 [2360]	1790 [2360]	1390 [2070]	1070 [1570]
1000	2340 [2270]	1930 [2200]	1670 [2200]	1300 [1930]	1000 [1470]

[] for dual tire models.

MAST SPECIFICATIONS & RATED CAPACITIESWide Visible Mast (V), Wide Visible Mast (SV), Wide Visible Full-Free Lift Two-Stage Mast (FV), Wide Visible Full-Free Lift Three-Stage Mast (FSV)
7FB30

Mast Type	Maximum Fork Height	Overall Height				Free Lift		Single Tire			Dual Tire		
		Lowered	Extended		Without Load Backrest	With Standard Load Backrest	Tilt Range		Load Capacity at 500 mm LC	Tilt Range		Load Capacity at 500 mm LC	
			Without Load Backrest	With Standard Load Backrest			FWD	BWD		FWD	BWD		
													mm
V	2000	1520	2720	3220	135	135	6	9	3000	6	9	3000	
	2500	1770	3220	3720	135	135	6	11	3000	6	11	3000	
	2700	1870	3420	3920	135	135	6	11	3000	6	11	3000	
	3000	2020	3720	4220	135	135	6	11	3000	6	11	3000	
	3300	2170	4020	4520	135	135	6	11	3000	6	11	3000	
	3500	2270	4220	4720	135	135	6	11	3000	6	11	3000	
	3700	2430	4420	4920	135	135	6	11	3000	6	11	3000	
	4000	2620	4720	5220	135	135	6	11	3000	6	11	3000	
	4500	2870	5220	5720	135	135	6	5	2850	6	5	3000	
	5000	3120	5720	6220	135	135	6	5	2350	6	5	3000	
SV	2000	1520	2750	3220	365	365	6	9	3000	6	9	3000	
	2500	1770	3250	3720	365	365	6	11	3000	6	11	3000	
	2700	1870	3450	3920	365	365	6	11	3000	6	11	3000	
	3000	2020	3750	4220	365	365	6	11	3000	6	11	3000	
	3300	2170	4050	4520	365	365	6	11	3000	6	11	3000	
	3500	2270	4250	4720	365	365	6	11	3000	6	11	3000	
	3700	2430	4450	4920	365	365	6	11	3000	6	11	3000	
	4000	2620	4750	5220	365	365	6	11	3000	6	11	3000	
	4500	2870	5250	5720	365	365	6	5	2850	6	5	3000	
	5000	3120	5750	6220	365	365	6	5	2350	6	5	3000	
FV	2000	1520	2615	3220	905	300	6	9	3000	6	9	3000	
	2500	1770	3115	3720	1155	550	6	11	3000	6	11	3000	
	2700	1870	3315	3920	1255	650	6	11	3000	6	11	3000	
	3000	2020	3615	4220	1405	800	6	11	3000	6	11	3000	
	3300	2170	3915	4520	1555	950	6	11	3000	6	11	3000	
	3500	2270	4115	4720	1655	1050	6	11	3000	6	11	3000	
	3700	2430	4315	4920	1815	1210	6	11	3000	6	11	3000	
	4000	2620	4615	5220	2005	1400	6	11	3000	6	11	3000	
	FSV	3700	1920	4315	4920	1305	700	6	5	3000	6	5	3000
		4000	2020	4615	5220	1405	800	6	5	3000	6	5	3000
4300		2170	4915	5520	1555	950	6	5	3000	6	5	3000	
4500		2220	5115	5720	1605	1000	6	5	2800	6	5	3000	
4700		2270	5315	5920	1655	1050	6	5	2800	6	5	3000	
5000		2430	5615	6220	1815	1210	6	5	2400	6	5	2900	
5500		2620	6115	6720	2005	1400	6	5	1900	6	5	2650	
6000		2870	6615	7220	2255	1650	6	5	1450	6	5	2050	

NOTE: Height of standard load backrest is 1220 mm.

7FBJ35

Mast Type	Maximum Fork Height	Overall Height				Free Lift		Single Tire			Dual Tire		
		Lowered	Extended		Without Load Backrest	With Standard Load Backrest	Tilt Range		Load Capacity at 500 mm LC	Tilt Range		Load Capacity at 500 mm LC	
			Without Load Backrest	With Standard Load Backrest			FWD	BWD		FWD	BWD		
													mm
V	2000	1640	2860	3220	140	140	6	9	3500	6	9	3500	
	2500	1890	3360	3720	140	140	6	11	3500	6	11	3500	
	2700	1990	3560	3920	140	140	6	11	3500	6	11	3500	
	3000	2110	3860	4220	140	140	6	11	3500	6	11	3500	
	3300	2290	4160	4520	140	140	6	11	3500	6	11	3500	
	3500	2390	4360	4720	140	140	6	11	3500	6	11	3500	
	3700	2490	4560	4920	140	140	6	11	3500	6	11	3500	
	4000	2740	4860	5220	140	140	6	11	3500	6	11	3500	
	4500	2990	5360	5720	140	140	6	5	3350	6	5	3500	
	5000	3240	5860	6220	140	140	6	5	2750	6	5	3400	
FV	2000	1640	2725	3220	915	420	6	9	3500	6	9	3500	
	2500	1890	3225	3720	1165	670	6	11	3500	6	11	3500	
	2700	1990	3425	3920	1265	770	6	11	3500	6	11	3500	
	3000	2110	3725	4220	1385	890	6	11	3500	6	11	3500	
	3300	2290	4025	4520	1565	1070	6	11	3500	6	11	3500	
	3500	2390	4225	4720	1665	1170	6	11	3500	6	11	3500	
	3700	2490	4425	4920	1765	1270	6	11	3500	6	11	3500	
	4000	2740	4725	5220	2015	1520	6	11	3500	6	11	3500	
	FSV	3700	2020	4425	4920	1295	800	6	5	3500	6	5	3500
		4000	2170	4725	5220	1445	950	6	5	3500	6	5	3500
4300		2225	5025	5520	1495	1005	6	5	3500	6	5	3500	
4500		2270	5225	5720	1545	1050	6	5	2900	6	5	3400	
4700		2430	5425	5920	1705	1210	6	5	2900	6	5	3400	
5000		2620	5725	6220	1895	1400	6	5	2500	6	5	3300	
5500		2870	6225	6720	2145	1650	6	5	1950	6	5	2900	
6000		3120	6725	7220	2395	1900	6	5	1500	6	5	2200	

NOTE: Height of standard load backrest is 1220 mm.

(40-) 7FB (H) 10.14.15.18.20.25 7FB30, 7FBJ35

INDEX: ○ Standard
● Available

STANDARD EQUIPMENT

7FB10.14.15.18.20.25.30, 7FBJ35

● Wide Visible Mast (V) [MFH: 3000 mm] ● Load backrest (V, SV and FSV masts) [Height: 1220 mm] ● Operator Presence Sensing System (OPS) ● Easy-down system (V and SV masts) ● Multi-function display (Battery capacity indicator, OPS indicator, Battery overdischarge warning, Battery remaining-charge warning, Parking brake on/off alarm, Return-to-neutral warning, Digital diagnosis) ● Power select function ● Power keep function ● Hour meter ● Headlights ● ORS seat ● Memory tilt steering column ● Emergency unplug lever ● Dual-action parking brake ● Full hydraulic power steering ● Electric horn ● Floor mat ● Storage area ● Assist grip ● Overhead guard ● Overhead guard sheet ● Drawbar pin ● Document clip

OPTIONS AVAILABILITY CHART

Item	Model		7FB (H)	7FB (H)	(40-)	7FB (H)	(40-)	(40-)	7FB	7FBJ
		Code	10	14	15	18	20	25	30	35
LOAD HANDLING										
Wide Visible Mast (SV)	w. Backrest	★	M00C*	●	●	●	●	●	●	●
Full-free Lift 2-stage Mast (FV)	w. Backrest	1) ★	M00F*	●	●	●	●	●	●	●
	w/o Backrest	★	M00F*	●	●	●	●	●	●	●
Full-free Lift 3-stage Mast (FSV)	w. Backrest	★	M00D*	●	●	●	●	●	●	●
Fully Oil Charged Lift Cylinder		2) ☆★	M09A	●	●	●	●	●	●	●
Long Forks		☆	M20A*	●	●	●	●	●	●	●
w/o Fork Set			M20N	●	●	●	●	●	●	●
Long Forkbar		☆	M30A*	●	●	●	●	●	●	●
High Load Backrest (Angle Shape Type)		☆	M40A*	●	●	●	●	●	●	●
High Load Backrest (Flat Steel Type)		☆★	M33A	●	●	●	●	●	●	●
High Load Backrest When Ordering FV Mast		★	M41B	●	●	●	●	●	●	●
w/o Backrest		★	M40N	●	●	●	●	●	●	●
Laser Marker	3)20)	★	M67A	●	●	●	●	●	●	●
Fork Vibration Damper	3)	★	M82A	●	●	●	●	●	●	●
Tilt Cylinder Boots		★	K11A	●	●	●	●	●	●	●
Mast Tilt Indicator		★	N14A	●	●	●	●	●	●	●
BATTERY AND CONTROLLER										
Battery	4)	☆★	D00*	●	●	●	●	●	●	●
Battery Case	4)	★	D80B	●	●	●	●	●	●	●
Battery Hanger		★	D46A	●	●	●	●	●	●	●
Local Battery		☆	D03C/D	●	●	●	●	●	●	●
Battery Charger	On-truck Type	5) ☆★	C30E	●	●	●	●	●	●	●
	Off-truck Type	6) ☆★	C30L/M	●	●	●	●	●	●	●
Battery Connector Cable		★	D55A	●	●	●	●	●	●	
Battery Code Adapter		★	D58A	●	●	●	●	●	●	
Battery Side-out	7)8)	★	G25B	●	●	●	●	●	●	
Single Overall Electrolyte Filler Ports		★	D40A	●	●	●	●	●	●	
Right Hand Shift Lever	9)	★	E11B	●	●	●	●	●	●	
LIGHT AND INDICATORS										
Front Combination Lights			J20B	●	●	●	●	●	●	
Rear Combination Lights			J21A	●	●	●	●	●	●	
Rear Working Light			J26A	●	●	●	●	●	●	
Yellow Beacon On The Overhead Guard			J19A	●	●	●	●	●	●	
License-plate Light and Bracket			J08B	●	●	●	●	●	●	
Headlight Guards	23)		K03A	●	●	●	●	●	●	
Back-up Buzzer		★	K21D	●	●	●	●	●	●	
Adjustable-volume Back-up Buzzer		★	K21H	●	●	●	●	●	●	
Forward Chime		★	K22A	●	●	●	●	●	●	
Back-up Chime		★	K21C	●	●	●	●	●	●	
Forward & Back-up Chime		★	K21A	●	●	●	●	●	●	
Digital Multifunction Display (All Round Type)	10)	★	L09B	●	●	●	●	●	●	
Digital Multifunction Display (All Round Type w/ Load Meter)	10)	★	L09C	●	●	●	●	●	●	
BODY										
Rear-view Mirror, Right and Left Sides			J10B	●	●	●	●	●	●	
Suspension Seat w/ Damper			G40E	●	●	●	●	●	●	
w/o Overhead Guard Sheet		★	H01N	●	●	●	●	●	●	
Canvas Cabin w/ Wiper		☆★	H02B	●	●	●	●	●	●	
Front Windshield w/ Wiper		☆	H02H	●	●	●	●	●	●	
Name Plate	11)		S31*	●	●	●	●	●	●	
S.A.S. Equipped Decal	12)		S28A	●	●	●	●	●	●	
OPS Decal			S35A	●	●	●	●	●	●	
Rear-pillar Assist Grip			L37A	●	●	●	●	●	●	
CHASSIS										
Dual Brake Pedal			E32A	●	●	●	●	●	●	
Power Steering Cylinder Boots		★	K14A	●	●	●	●	●	●	

OPTIONS AVAILABILITY CHART

Item	Model Code	7FB (H)	7FB (H)	(40-) 7FB (H)	7FB (H)	(40-) 7FB (H)	(40-) 7FB (H)	7FB	7FBJ
		10	14	15	18	20	25	30	35
WHEELS AND TIRES									
Pneumatic Tire	☆	●	●	●	●	●	●	●	●
Pneumatic-Shaped Cushion Tire	☆	●	●	●	●	●	●	●	●
Tire Chain, Front	☆	●	●	●	●	●	●	●	●
SPECIAL MODELS									
China Certification Spec.	7)	A10R	●	●	●	●	●	●	●
Australian Spec.	13) ★	A20B	●	●	●	●	●	●	●
Canadian Spec.	14) ★	A20P	●	●	●	●	●	●	●
E.E.C. Spec.	7)20)	A10A			●	●	●	●	●
E Mark (for EC)	7)21)	A13A			●	●	●	●	●
System of Active Stability	5)	A41A	●	●	●	●	●	●	●
Cold-storage Model (Type 45S)	7)15) ★	B30E	●	●	●	●	●	●	●
Cold-storage Model (Fisherman Special)	7)15) ★	B30G	●	●	●	●	●	●	●
Rust-proof Model (Fisherman Special)	7)15) ★	B30F	●	●	●	●	●	●	●
Rust-proof Model	16) ★	B30H	●	●	●	●	●	●	●
w/o OPS Buzzer	17)	K25N	●	●	●	●	●	●	●
Unit Indication, Inch/lbs	18)	A95A	●	●	●	●	●	●	●
Body Color (501 Beige)	★	R00V	●	●	●	●	●	●	●

NOTE:

- 1) Must specify M41B when backrest is required.
- 2) Equipped as a standard when selecting M00F, B30E/F/G/H.
- 3) Not available on V mast at a maximum fork height 2700 mm or less. Not available on FSV mast at a maximum fork height 4000 mm or less.
- 4) When the battery is procured locally, specifying D03C/D.
- 5) Must enter together with L09B/C.
- 6) Must specify D58A.
- 7) Not available on models with "40-7FB15.20.25".
- 8) Not available on models with "7FBH10.14.15.18.20.25". Must specify D00C* or D80B. The overall height of the forklift and the height of the operator's seat will become the same as those on the high-capacity model.
- 9) Available on models with A41A.
- 10) Must enter together with A41A.
- 11) Available for English [S31A], Spanish [S31B], Chinese [S31C], Russian [S31F], Taiwanese [S31G], and Portuguese [S31K].

- 12) Must specify A41A.
 - 13) Includes M33A (Not necessary to specify).
 - 14) Must enter together with A95A.
 - 15) Includes B30H (Not necessary to specify).
 - 16) Includes M33A, K14A and M09A (Not necessary to specify).
 - 17) Canada and Mexico only.
 - 18) Must enter together with S31A. Only available for A20P.
 - 19) Must specify A41A. Not available on models with "40-7FB20.25". Not available on SV and FV mast. Only available with E62 (Side shift fork) when selecting attachments.
 - 20) Israel only.
 - 21) Israel only. Must specify A10A.
 - 22) Must enter together with J20B.
- ★ Please see the "Matching Options".
☆ Please see the chart below for the item.

FULLY OIL CHARGED LIFT CYLINDER

Model	Mast Type	
7FB/7FBH10.14.15.18.20.25	V	●
	SV *	●
40-7FB15.20.25	FV	○
7FB30, 7FBJ35	FSV	●

NOTE: * Not available on 7FBJ35.

MAST INTERCHANGEABILITY

Mast Type	Wide Visible Mast (V)	Wide Visible Mast (SV)	Wide Visible Full-Free Lift Two-Stage Mast (FV)	Wide Visible Full-Free Lift Three-Stage Mast (FSV)
7FB10.14.15.18 7FBH10.14.15.18	●	●	●	●
40-7FB15	●	●	●	●
7FB/7FBH20	●	●	●	●
40-7FB20	●	●	●	●
7FB/7FBH25	●	●	●	●
40-7FB25	●	●	●	●
7FB30	●	●	●	●
7FBJ35	●	—	●	●

NOTE: ● Mast may be interchanged with models within the same group.

TILT RANGE (with Front Windshield Models)

Mast Type	Model	7FB25 7FBH25						40-7FB25				7FB30 7FBJ35	
		Single				Dual		Single		Dual		All	
	Front Tire Size	21x8		23x8		6.00-9		7.00-12		All		All	
	Maximum Fork Height	FWD	BWD	FWD	BWD	FWD	BWD	FWD	BWD	FWD	BWD	FWD	BWD
mm	deg	deg	deg	deg	deg	deg	deg	deg	deg	deg	deg	deg	
V	2000	7	5	6	6	7	5	6	6	6	6	6	5
	2500	7	5	6	6	7	5	6	6	6	6	6	5
	2700	7	5	6	6	7	5	6	6	6	6	6	5
	3000	7	9	6	10	7	9	6	9	6	9	6	9
	3300	7	9	6	10	7	9	6	9	6	9	6	9
	3500	7	9	6	10	7	9	6	9	6	9	6	9
	3700	7	9	6	10	7	9	6	9	6	9	6	9
	4000	7	5	6	6	7	5	6	6	6	6	6	5
	4500	7	5	6	6	7	5	6	6	6	6	6	5
	5000	7	5	6	6	7	5	6	6	6	6	6	5
SV	2000	7	5	6	6	7	5	6	6	6	6	6	5
	2500	7	5	6	6	7	5	6	6	6	6	6	5
	2700	7	5	6	6	7	5	6	6	6	6	6	5
	3000	7	5	6	6	7	5	6	6	6	6	6	9
	3300	7	9	6	10	7	9	6	9	6	9	6	9
	3500	7	9	6	10	7	9	6	9	6	9	6	9
	3700	7	9	6	10	7	9	6	9	6	9	6	9
	4000	7	5	6	6	7	5	6	6	6	6	6	5
	4500	7	5	6	6	7	5	6	6	6	6	6	5
	5000	7	5	6	6	7	5	6	6	6	6	6	5
FV	2000	7	5	6	6	7	5	6	6	6	6	6	5
	2500	7	5	6	6	7	5	6	6	6	6	6	5
	2700	7	5	6	6	7	5	6	6	6	6	6	5
	3000	7	9	6	10	7	9	6	9	6	9	6	9
	3300	7	9	6	10	7	9	6	9	6	9	6	9
	3500	7	9	6	10	7	9	6	9	6	9	6	9
	3700	7	9	6	10	7	9	6	9	6	9	6	9
	4000	7	5	6	6	7	5	6	6	6	6	6	5

NOTE: The FSV mast has no tilt-range restriction.

TILT RANGE (with Front Windshield + A4 Piping Models)

Mast Type	Model	7FB10.14.15 7FBH10.14.15				40-7FB15				7FB18 7FBH18				7FB20 7FBH20				40-7FB20			
		All				All				Single		Dual		All				All			
	Front Tire Size	Except 6.50-10		6.50-10		Except 23x9		23x9		21x8		6.50-10		All		Except 23x9		23x9		All	
	Maximum Fork Height	FWD	BWD	FWD	BWD	FWD	BWD	FWD	BWD	FWD	BWD	FWD	BWD	FWD	BWD	FWD	BWD	FWD	BWD	FWD	BWD
mm	deg	deg	deg	deg	deg	deg	deg	deg	deg	deg	deg	deg	deg	deg	deg	deg	deg	deg	deg	deg	deg
V	2000	7	5	6	6	7	5	6	6	7	5	6	6	7	5	6	6	6	6	6	6
	2500	7	5	6	6	7	5	6	6	7	5	6	6	7	5	6	6	6	6	6	6
	2700	7	5	6	6	7	5	6	6	7	5	6	6	7	5	6	6	6	6	6	6
	3000	7	7	6	8	7	7	6	10	7	7	6	8	7	7	7	7	6	8	6	9
	3300	7	7	6	8	7	7	6	10	7	7	6	8	7	7	7	7	6	8	6	9
	3500	7	7	6	8	7	7	6	10	7	7	6	8	7	7	7	7	6	8	6	9
	3700	7	7	6	8	7	7	6	10	7	7	6	8	7	7	7	7	6	8	6	9
	4000	7	7	6	8	7	7	6	10	7	5	6	6	7	7	7	7	6	8	6	9
	4500	7	5	6	6	7	5	6	6	7	5	6	6	7	5	7	5	6	6	6	6
	5000	7	5	6	6	7	5	6	6	7	5	6	6	7	5	7	5	6	6	6	6
SV	2000	7	5	6	6	7	5	6	6	7	5	6	6	7	5	7	5	6	6	6	6
	2500	7	5	6	6	7	5	6	6	7	5	6	6	7	5	7	5	6	6	6	6
	2700	7	5	6	6	7	5	6	6	7	5	6	6	7	5	7	5	6	6	6	6
	3000	7	5	6	6	7	5	6	6	7	5	6	6	7	5	7	5	6	6	6	6
	3300	7	7	6	8	7	7	6	8	7	7	6	8	7	7	7	7	6	8	6	9
	3500	7	7	6	8	7	7	6	8	7	7	6	8	7	7	7	7	6	8	6	9
	3700	7	7	6	8	7	7	6	8	7	7	6	8	7	7	7	7	6	8	6	9
	4000	7	7	6	8	7	7	6	8	7	5	6	6	7	7	7	7	6	8	6	9
	4500	7	5	6	6	7	5	6	6	7	5	6	6	7	5	7	5	6	6	6	6
	5000	7	5	6	6	7	5	6	6	7	5	6	6	7	5	7	5	6	6	6	6

TILT RANGE (with Front Windshield + A4 Piping Models)

Mast Type	Model	7FB25 7FBH25						40-7FB25				7FB30 7FBJ35	
		Single				Dual		Single		Dual		All	
	Front Tire Size	21x8		23x8		6.00-9		7.00-12		All		All	
	Maximum Fork Height	FWD	BWD	FWD	BWD	FWD	BWD	FWD	BWD	FWD	BWD	FWD	BWD
	mm	deg	deg	deg	deg	deg	deg	deg	deg	deg	deg	deg	deg
V	2000	7	5	6	6	7	5	6	6	6	6	6	5
	2500	7	5	6	6	7	5	6	6	6	6	6	5
	2700	7	5	6	6	7	5	6	6	6	6	6	5
	3000	7	7	6	8	7	7	6	9	6	9	6	9
	3300	7	7	6	8	7	7	6	9	6	9	6	9
	3500	7	7	6	8	7	7	6	9	6	9	6	9
	3700	7	7	6	8	7	7	6	9	6	9	6	9
	4000	7	5	6	6	7	7	6	6	6	6	6	9
	4500	7	5	6	6	7	5	6	6	6	6	6	5
	5000	7	5	6	6	7	5	6	6	6	6	6	5
SV	2000	7	5	6	6	7	5	6	6	6	6	6	5
	2500	7	5	6	6	7	5	6	6	6	6	6	5
	2700	7	5	6	6	7	5	6	6	6	6	6	5
	3000	7	5	6	6	7	5	6	6	6	6	6	9
	3300	7	7	6	8	7	7	6	9	6	9	6	9
	3500	7	7	6	8	7	7	6	9	6	9	6	9
	3700	7	7	6	8	7	7	6	9	6	9	6	9
	4000	7	5	6	6	7	7	6	6	6	6	6	9
	4500	7	5	6	6	7	5	6	6	6	6	6	5
	5000	7	5	6	6	7	5	6	6	6	6	6	5

TILT RANGE (with A4 Piping Models)

Mast Type	Model	7FB10.14.15 7FBH10.14.15				40-7FB15				7FB18 7FBH18				7FB20 7FBH20				40-7FB20			
		All				All				Single		Dual		All				All			
	Front Tire Size	Except 6.50-10		6.50-10		Except 23x9		23x9		21x8		6.50-10		All		Except 23x9		23x9		All	
	Maximum Fork Height	FWD	BWD	FWD	BWD	FWD	BWD	FWD	BWD	FWD	BWD	FWD	BWD	FWD	BWD	FWD	BWD	FWD	BWD	FWD	BWD
	mm	deg	deg	deg	deg	deg	deg	deg	deg	deg	deg	deg	deg	deg	deg	deg	deg	deg	deg	deg	deg
FV	2000	7	5	6	6	7	5	6	6	7	5	6	6	7	5	7	5	6	6	6	6
	2500	7	5	6	6	7	5	6	6	7	5	6	6	7	5	7	5	6	6	6	6
	2700	7	5	6	6	7	5	6	6	7	5	6	6	7	5	7	5	6	6	6	6
	3000	7	5	6	6	7	9	6	6	7	5	6	6	7	5	7	5	6	6	6	6
	3300	7	5	6	6	7	9	6	6	7	5	6	6	7	5	7	5	6	6	6	6
	3500	7	5	6	6	7	9	6	6	7	5	6	6	7	5	7	5	6	6	6	6
	3700	7	5	6	6	7	9	6	6	7	5	6	6	7	5	7	5	6	6	6	6
	4000	7	5	6	6	7	9	6	6	7	5	6	6	7	5	7	5	6	6	6	6

Mast Type	Model	7FB25 7FBH25						40-7FB25				7FB30 7FBJ35	
		Single				Dual		Single		Dual		All	
	Front Tire Size	21x8		23x8		6.00-9		7.00-12		All		All	
	Maximum Fork Height	FWD	BWD	FWD	BWD	FWD	BWD	FWD	BWD	FWD	BWD	FWD	BWD
	mm	deg	deg	deg	deg	deg	deg	deg	deg	deg	deg	deg	deg
FV	2000	7	5	6	6	7	5	6	6	6	6	6	5
	2500	7	5	6	6	7	5	6	6	6	6	6	5
	2700	7	5	6	6	7	5	6	6	6	6	6	5
	3000	7	5	6	6	7	5	6	6	6	6	6	5
	3300	7	5	6	6	7	5	6	6	6	6	6	5
	3500	7	5	6	6	7	5	6	6	6	6	6	5
	3700	7	5	6	6	7	5	6	6	6	6	6	5
	4000	7	5	6	6	7	5	6	6	6	6	6	5

LONG FORKS

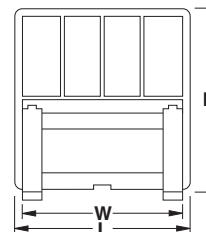
Unit: mm

Model	Length	Width	Thickness	Long Forks
7FB10 7FBH10	770	100	30	●
	850			●
	920			●
	1070			○
	1220			●
7FB14 7FBH14	850	100	35	●
	920			●
	1070			○
	1220			●
7FB15.18 7FBH15.18 40-7FB15	920	100	35	○
	1070			○
	1220			●
	1370			●
7FB20 7FBH20 40-7FB20	1520	120	38	●
	920			●
	1070			○
	1220			●
	1370			●
7FB25 7FBH25 40-7FB25	1520	120	42	●
	920			●
	1070			○
	1220			●
	1370			●
	1520			●
7FB30	1670	120	45	●
	1820			●
	1070			○
	1220			●
	1370			●
	1520			●
7FBJ35	1670	140	50	●
	920			●
	1070			○
	1220			●
	1370			●

LONG FORKBAR AND HIGH LOAD BACKREST

Unit: mm

Model	H	L *		1050	1150	1200	1300	1450	1600
		W		920	1020	1070	1170	1320	1470
7FB 10.14.15.18 7FBH 10.14.15.18 40-7FB15	920	●	●	●	●	●	●	●	●
	1070	●	●	●	●	●	●	●	●
	1220	○	●	●	●	●	●	●	●
	1370	●	●	●	●	●	●	●	●
	1520	●	●	●	●	●	●	●	●
	1670	●	●	●	●	●	●	●	●
7FB20.25 7FBH20.25 40-7FB20.25	1820	●	●	●	●	●	●	●	●
	920	●	●	●	●	●	●	●	●
	1070	●	●	●	●	●	●	●	●
	1220	○	●	●	●	●	●	●	●
	1370	●	●	●	●	●	●	●	●
7FB30 7FBJ35	1520	●	●	●	●	●	●	●	●
	1670	●	●	●	●	●	●	●	●
	1820	●	●	●	●	●	●	●	●
	920	●	●	●	●	●	●	●	●
	1070	●	●	●	●	●	●	●	●
	1220	○	●	●	●	●	●	●	●



L: Outside width of load backrest
W: Length of forkbar
H: Height of load backrest
This picture is angle shape load backrest.

NOTE: * Dimensions are angle shape load backrest
Minus 70 mm when optional Flat Steel Type backrest is selected.

BATTERY AVAILABILITY

Model	Battery					
	Code (Wet Cell)	Code (Dry Cell)	Code (Local Battery)	V	AH/HR	
7FB10.14	D00C	D00Q	D03C	48	330/5	●
					400/5	●
					485/5	●
7FBH10.14	D00C	D00Q	D03C	48	545/5	●
7FB15.18	D00C	D00Q	D03C	48	400/5	●
					485/5	●
7FBH15.18	D00C	D00Q	D03C	48	545/5	●
40-7FB15	D00C	D00Q	D03C	48	600/5	●
					730/5	●
7FB20	D00C	D00Q	D03C	48	450/5	●
					565/5	●
					600/5	●
7FBH20	D00C	D00Q	D03C	48	730/5	●
40-7FB20	D00C	D00Q	D03C	48	845/5	●
7FB25	D00C	D00Q	D03C	48	565/5	●
					600/5	●
7FBH25	D00C	D00Q	D03C	48	730/5	●
40-7FB25	D00C	D00Q	D03C	48	845/5	●
7FB30	D00D	D00R	D03D	80	370/5	●
7FBJ35					470/5	●

AVAILABILITY OF BATTERY CHARGER**Off-Truck Type (GS YUASA)**

Battery Voltage V	Battery Capacity AH/5HR	Code	AC Input Voltage V	AC Power Supply Capacity A		kVA of Charger		Weight kg	7FB 10.14 15.18	7FBH 10.14 15.18	7FB 20.25	40-7FB 15 7FBH 20.25	40-7FB 20.25	7FB30 7FBJ35	
				50Hz	60Hz	50Hz	60Hz								
48	330-400	C30L	200	30	20	7.3	6.5	44	●						
	450-565		200	30	30	9.2	8.1	60	●	●	●				
	600		200	40	40	12.0	11.0	64			●	●			
	730-845		200	50	50	16.0	14.0	98					●	●	
	330-400	C30M	400	15	10	7.3	6.5	44	●						
	450-565		400	15	15	9.2	8.1	60	●	●	●				
	600		400	20	20	12.0	11.0	64			●	●			
	730-845		400	30	30	16.0	14.0	98					●	●	
80	370-470	C30L	200	40	30	12.0	10.0	85							●
	370-470	C30M	400	20	15	12.0	10.0	85							●

NOTE: 1. The indicated input voltage means the available range of three-phase AC input voltages applied to the battery charger: 200V denotes the range of 200 to 230V and 400V the range of 340 to 460V, respectively.
2. In AC power sources where there is appreciable variance between the rated and the measured line voltage values, be sure to measure actual input voltage to a battery charger and then order it with correct power requirements for operation. Usually re-charging is done at night when incoming voltage is relatively high without line voltage drops, and it is a good practice, therefore, to measure the line voltage at night.

On-Truck Type (Full Automatic Charger)

Battery Voltage V	Battery Capacity AH/5HR	Code	AC Input Voltage V	AC Power Supply Capacity A		kVA of Charger		7FB 10.14	7FB 15.18	7FBH 10.14 15.18	7FB20	7FB25	40-7FB 15 7FBH 20.25	40-7FB 20.25	7FB30 7FBJ35	
				50Hz	60Hz	50Hz	60Hz									
48	330	C30E	200	15	15	4.1	4.1	●								
	400-450		200	20	20	6.2	6.3	●	●		●					
	485-565		200	30	30	7.4	7.6	●	●	●	●	●				
	600-730		200	40	30	10.4	10.3				●	●	●			
	845		200	40	30	9.7	9.5								●	
80	370-470		200	30	30	9.5	9.3								●	

NOTE: The indicated input voltage means the available range of three-phase AC input voltages applied to the battery charger: 200V denotes the range of 200 to 230V.

TIRE AND TIRE CHAIN AVAILABILITY

Model	Tire Arrangement	Pneumatic Tire				Tire Chain	
		Tire Size	Rim Size (Type)	Rib-Lug	U-Lug		J-Lug
7FB10.14 7FBH10.14	Front	Single	6.00-9-10PR (I)	9x4.00E DT (Divided)	○		●
				9x4.00E TB (Side-Ring)	●		●
		6.50-10-12PR (I)	10x5.00F TB (Side-Ring)	●		●	
	Dual	4.50-12-8PR (I)	12x3.50D DC (Drop-Center)		●		●
		6.00-9-10PR (I)	9x4.00E TB (Side-Ring)	●		●	
Rear	5.00-8-8PR (I)	8x3.00 DT (Divided)	○		●		
		8x3.00 TB (Side-Ring)	●		●		
7FB15 7FBH15	Front	Single	6.00-9-10PR (I)	9x4.00E DT (Divided)	○		●
				9x4.00E TB (Side-Ring)	●		●
		21x8-9-10PR (I)	9x6.00E TB (Side-Ring)	●		●	
	Dual	6.50-10-12PR (I)	10x5.00F TB (Side-Ring)	●		●	
		4.50-12-8PR (I)	12x3.50D DC (Drop-Center)		●		●
		6.00-9-10PR (I)	9x4.00E TB (Side-Ring)	●		●	
Rear	5.00-8-8PR (I)	8x3.00 DT (Divided)	○		●		
		8x3.00 TB (Side-Ring)	●		●		
7FB18 7FBH18	Front	Single	21x8-9-10PR (I)	9x6.00E TB (Side-Ring)	○		●
			6.50-10-12PR (I)	10x5.00F TB (Side-Ring)	●		●
	Dual	4.50-12-8PR (I)	12x3.50D DC (Drop-Center)		●		●
		6.00-9-10PR (I)	9x4.00E TB (Side-Ring)	●		●	
Rear	5.00-8-10PR (I)	8x3.00 TB (Side-Ring)	○		●		
40-7FB15 7FB20 7FBH20	Front	Single	21x8-9-14PR (I)	9x6.00E TB (Side-Ring)	●		○
			23x9-10-16PR (I)	10x6.50F TB (Side-Ring)	●		●
	Dual	6.00-9-10PR (I)	9x4.00E TB (Side-Ring)	●		●	
Rear	18x7-8-14PR (I)	8x4.25DT (Divided)	●		○		
		8x4.33R TB (Side-Ring)	●		●		
7FB25 7FBH25	Front	Single	21x8-9-14PR (I)	9x6.00E TB (Side-Ring)	●		○
			23x9-10-16PR (I)	10x6.50F TB (Side-Ring)	●		●
	Dual	6.00-9-10PR (I)	9x4.00E TB (Side-Ring)	●		●	
Rear	18x7-8-14PR (I)	8x4.33R TB (Side-Ring)	●		○		
40-7FB20.25	Front	Single	7.00-12-12PR (I)	12x5.00S DT (Divided)	○		●
				12x5.00S TB (Side-Ring)	●		●
		Dual	5.50-15-8PR (I)	15x4.50E SDC (Side-Ring)		●	
	7.00-12-12PR (I)		12x5.00S TB (Side-Ring)	●		●	
	Rear	Single	6.00-9-10PR (I)	9x4.00E DT (Divided)	○		●
				9x4.00E TB (Side-Ring)	●		●
Dual							
7FB30	Front	Single	28x9-15-14PR (I)	15x7.00T IR (Side-Ring)	○		●
			6.00-15-10PR (I)	15x4.50E SDC (Side-Ring)		●	
	Dual	28x8-15-12PR (I)	15x6.00S IR (Side-Ring)			●	●
Rear	Single	6.50-10-10PR (I)	10x5.00F DT (Divided)	○	●	●	
			10x5.00F TB (Side-Ring)	●	●	●	
7FBJ35	Front	Single	28x9-15-14PR (I)	15x7.00T IR (Side-Ring)	○		●
			6.00-15-10PR (I)	15x4.50E SDC (Side-Ring)		●	
	Dual	28x8-15-12PR (I)	15x6.00S IR (Side-Ring)			●	●
Rear	6.50-10-14PR (I)	10x5.00F TB (Side-Ring)	○		●		

TIRE AND TIRE CHAIN AVAILABILITY

Model	Tire Arrangement	Pneumatic-Shaped Cushion Tire						Tire Chain	
		Tire Size	Rim Size (Type)	U-Lug	J-Lug	Soft	White U-Lug		
7FB10.14 7FBH10.14	Front	Single	6.00-9	9x4.00E DT (Divided)	●	●	●	●	●
			6.50-10	9x4.00E TB (Side-Ring)	●		●		●
		Dual	4.50-12	10x5.00F TB (Side-Ring)	●				●
	Rear	Single	6.00-9	12x3.00D SDC (Side-Ring)	●				●
			6.00-9	9x4.00E TB (Side-Ring)	●				
		Dual	5.00-8	8x3.00D DT (Divided)	●	●	●	●	
7FB15 7FBH15	Front	Single	6.00-9	8x3.00D TB (Side-Ring)	●	●	●	●	
			21x8-9	9x4.00E TB (Side-Ring)	●		●		●
		Dual	6.50-10	10x5.00F TB (Side-Ring)	●		●		●
	Rear	Single	4.50-12	12x3.00D SDC (Side-Ring)	●				●
			6.00-9	9x4.00E TB (Side-Ring)	●				
		Dual	5.00-8	8x3.00D DT (Divided)	●	●	●	●	
7FB18 7FBH18	Front	Single	21x8-9	8x3.00D TB (Side-Ring)	●	●	●	●	●
			6.50-10	9x6.00E TB (Side-Ring)	●		●		●
		Dual	4.50-12	10x5.00F TB (Side-Ring)	●		●		●
	Rear	Single	6.00-9	12x3.00D SDC (Side-Ring)	●				●
			6.00-9	9x4.00E TB (Side-Ring)	●				
		Dual	5.00-8	8x3.00D TB (Side-Ring)	●	●	●	●	
40-7FB15 7FB20 7FBH20	Front	Single	21x8-9	9x6.00E TB (Side-Ring)	●	●	●	●	●
			23x9-10	10x5.00F TB (Side-Ring)	●		●		●
		Dual	6.00-9	12x3.00D SDC (Side-Ring)	●				●
	Rear	Single	6.00-9	9x4.00E TB (Side-Ring)	●				
			18x7-8	8x4.25DT (Divided)	●	●	●	●	
		Dual	6.00-9	8x4.33R TB (Side-Ring)	●	●	●	●	
7FB25 7FBH25	Front	Single	21x8-9	9x6.00E TB (Side-Ring)	●	●	●	●	●
			23x9-10	10x6.50F TB (Side-Ring)	●		●		●
		Dual	6.00-9	9x4.00E TB (Side-Ring)	●				
	Rear	Single	6.00-9	8x4.33R TB (Side-Ring)	●	●	●	●	
			18x7-8	8x4.33R TB (Side-Ring)	●	●	●	●	
		Dual	6.00-9	9x4.00E TB (Side-Ring)	●				
40-7FB20.25	Front	Single	7.00-12	12x5.00S DT (Divided)	●	●			
			7.00-12	12x5.00S TB (Side-Ring)	●				
		Dual	7.00-12	12x5.00S TB (Side-Ring)	●				
	Rear	Single	6.00-9	9x4.00E TB (Side-Ring)	●	●			
			6.00-9	9x4.00E TB (Side-Ring)	●				
		Dual	6.00-9	9x4.00E TB (Side-Ring)	●				
7FB30	Front	Single	28x9-15	15x7.00T IR (Side-Ring)	●	●	●	●	●
			6.00-15	15x4.50E SDC (Side-Ring)	●				●
		Dual	7.00-15	15x6.00S IR (Side-Ring)	●	●			●
	Rear	Single	6.50-10	10x5.00F TB (Side-Ring)	●	●	●	●	
			6.50-10	10x5.00F TB (Side-Ring)	●	●	●	●	
		Dual	6.50-10	10x5.00F TB (Side-Ring)	●	●	●	●	
7FBJ35	Front	Single	28x9-15	15x7.00T IR (Side-Ring)	●	●	●	●	●
			6.00-15	15x4.50E SDC (Side-Ring)	●				●
		Dual	7.00-15	15x6.00S IR (Side-Ring)	●	●			●
	Rear	Single	6.50-10	10x5.00F TB (Side-Ring)	●	●	●	●	
			6.50-10	10x5.00F TB (Side-Ring)	●	●	●	●	
		Dual	6.50-10	10x5.00F TB (Side-Ring)	●	●	●	●	

TIRE CHAIN MODIFICATION

Model	Tire Arrangement	Tire Size	Mast Type			
			V	SV	FV	FSV
7FB10.14 7FBH10.14	Single	6.00-9-10PR (I)	●	●	●	●
	Dual	4.50-12-8PR (I)	●	●	●	●
7FB15 7FBH15	Single	6.00-9-10PR (I)	●	●	●	●
	Dual	21x8-9-10PR (I)	●	●	●	●
40-7FB15	Single	4.50-12-8PR (I)	●	●	●	●
7FB18 7FBH18	Single	21x8-9-14PR (I)	●	●	●	●
	Dual	4.50-12-8PR (I)	●	●	●	●
7FB20.25 7FBH20.25	Single	21x8-9-14PR (I)	●	●	●	●
7FB30 7FBJ35	Single	28x9-15-14PR (I)	▲	▲*	▲	▲
	Dual	6.00-15-10PR (I)	■	■*	■	■
		28x8-15-12PR (I)	▲	▲*	▲	▲

NOTE: ● No modification of standard model is required.
▲ Lift bracket is changed.
■ Spacers are added to extend front wheels sideways.
* Not available on 7FBJ35.

SPECIFICATIONS OF BATTERY AND BATTERY CASE

The "minimum weight of battery with case" indicated in the table is the lightest weight of the battery required to satisfy stability requirements of the vehicle in which it is installed.

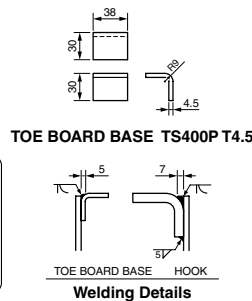
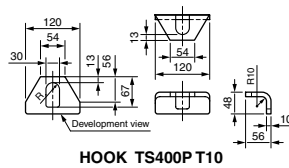
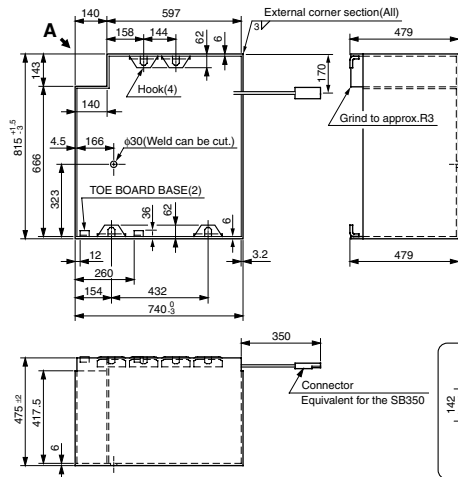
Specifications (GS YUASA)

Model			7FB10			7FBH10		7FB14		7FBH14	
Vehicle Weight without Battery	kg		2080			2110		2140		2160	
Minimum Weight of Battery with Case	kg		550			805		550		805	
Battery Connector Type			SB350 (2 Prong)			SB350 (2 Prong)		SB350 (2 Prong)		SB350 (2 Prong)	
Minimum Connector Length *	mm		350			350		350		350	
Truck Voltage	V		48			48		48		48	
Number of Cells	pcs		24			24		24		24	
Ampere-Hour Capacity	AH/HR		330/5	400/5	485/5	545/5	330/5	400/5	485/5	545/5	
Specs. of Cell	Overall Dimensions	Total Height	mm	427	427	441	522	427	427	441	522
		Container Height	mm	395	395	409	490	395	395	409	490
		Length	mm	144	144	144	144	144	144	144	144
		Width	mm	158	158	158	158	158	158	158	158
Weight	Weight of Filled Cell	Approx. kg	19.5	23.0	25.5	29.0	19.5	23.0	25.5	29.0	
	Quantity of Electrolyte	Approx. liter	4.9	4.8	4.9	6.2	4.9	4.8	4.9	6.2	
Weight	Case	kg	75	75	75	90	75	75	75	90	
	Total (Battery)	kg	565	655	700	805	565	655	700	805	
Operating Time			3h40m	4h40m	5h55m	6h45m	3h35m	4h35m	5h45m	6h35m	

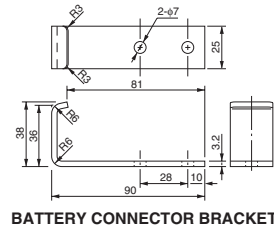
NOTE: * The distance from case to the tip of the connector.

Dimensions of Battery Case 7FB10.14

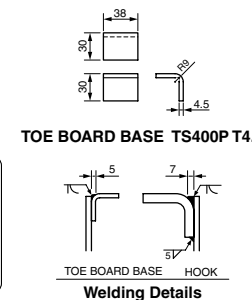
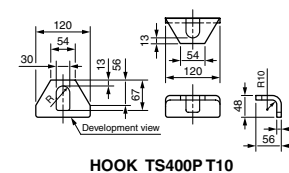
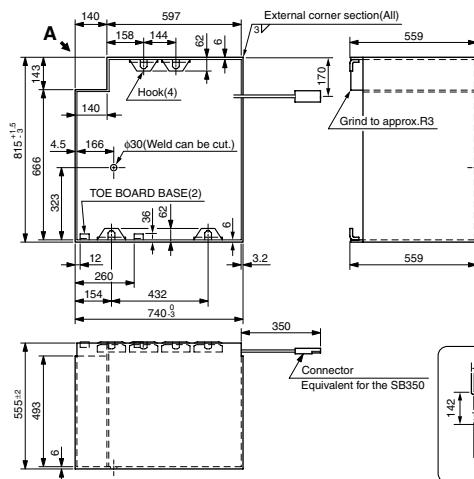
Unit: mm



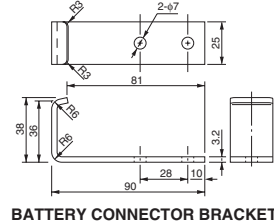
BATTERY CAPACITY : 330AH/5HR, 48V
400AH/5HR, 48V
485AH/5HR, 48V



7FBH10.14



BATTERY CAPACITY : 545AH/5HR, 48V



Dimensions of Battery Compartment

Model		7FB10.14	7FBH10.14
Width	mm	821	821
Length	mm	747	747
Height	mm	460	540

SPECIFICATIONS OF BATTERY AND BATTERY CASE

The "minimum weight of battery with case" indicated in the table is the lightest weight of the battery required to satisfy stability requirements of the vehicle in which it is installed.

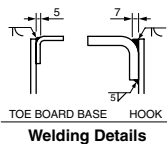
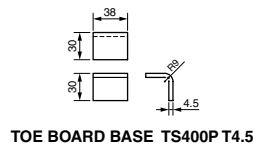
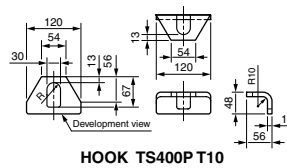
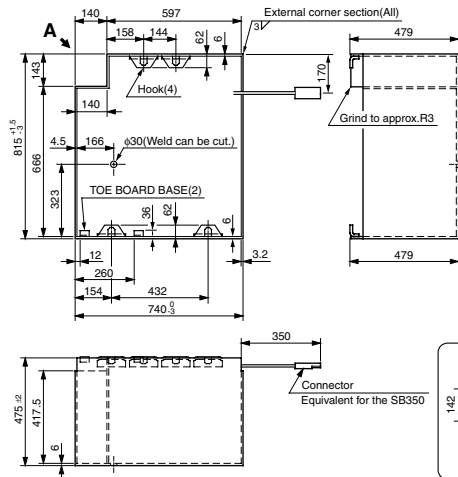
Specifications (GS YUASA)

Model		7FB15	7FBH15	7FB18	7FBH18	
Vehicle Weight without Battery	kg	2220	2240	2400	2420	
Minimum Weight of Battery with Case	kg	655	805	655	805	
Battery Connector Type		SB350 (2 Prong)	SB350 (2 Prong)	SB350 (2 Prong)	SB350 (2 Prong)	
Minimum Connector Length *	mm	350	350	350	350	
Truck Voltage	V	48	48	48	48	
Number of Cells	pcs	24	24	24	24	
Ampere-Hour Capacity	AH/HR	400/5	485/5	545/5	400/5 485/5	
Specs. of Cell	Total Height	mm	427	441	522	427 441 522
	Container Height	mm	395	409	490	395 409 490
	Length	mm	144	144	144	144 144 144
	Width	mm	158	158	158	158 158 158
Weight	Weight of Filled Cell	Approx. kg	23.0	25.5	29.0	23.0 25.5 29.0
	Quantity of Electrolyte	Approx. liter	4.8	4.9	6.2	4.8 4.9 6.2
Weight	Case	kg	75	75	90	75 75 90
	Total (Battery)	kg	655	700	805	655 700 805
Operating Time		4h30m	5h30m	6h15m	4h10m 5h20m 6h05m	

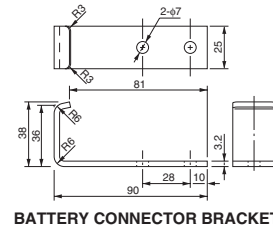
NOTE: * The distance from case to the tip of the connector.

Dimensions of Battery Case 7FB15.18

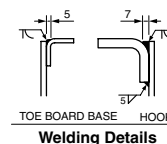
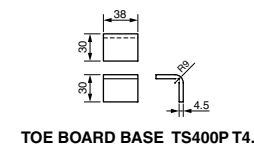
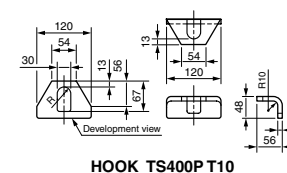
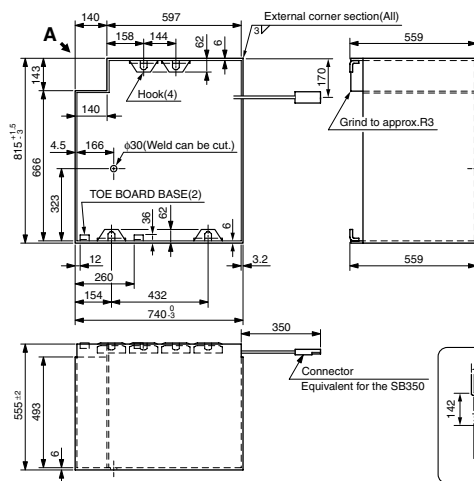
Unit: mm



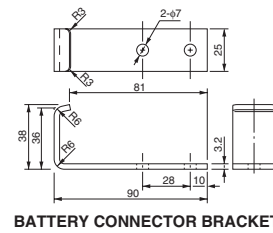
BATTERY CAPACITY : 400AH/5HR, 48V
485AH/5HR, 48V



7FBH15.18



BATTERY CAPACITY : 545AH/5HR, 48V



Dimensions of Battery Compartment

Model		7FB15.18	7FBH15.18
Width	mm	821	821
Length	mm	747	747
Height	mm	460	540

SPECIFICATIONS OF BATTERY AND BATTERY CASE

The "minimum weight of battery with case" indicated in the table is the lightest weight of the battery required to satisfy stability requirements of the vehicle in which it is installed.

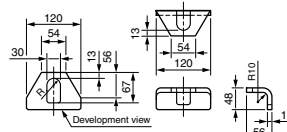
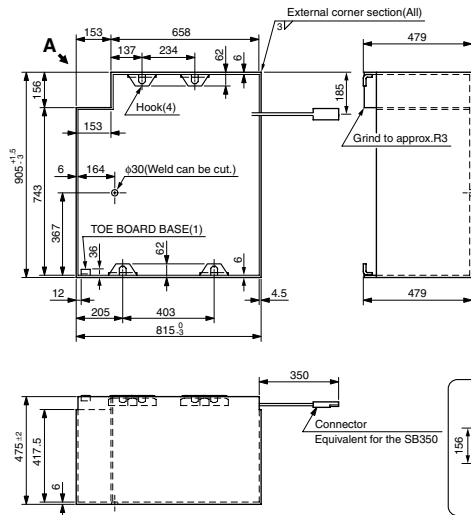
Specifications (GS YUASA)

Model			7FB20	7FBH20	7FB25	7FBH25	
Vehicle Weight without Battery	kg		2725	2745	3105	3085	
Minimum Weight of Battery with Case	kg		760	1045	825	1045	
Battery Connector Type			SB350 (2 Prong)	SB350 (2 Prong)	SB350 (2 Prong)	SB350 (2 Prong)	
Minimum Connector Length *	mm		350	350	350	350	
Truck Voltage	V		48	48	48	48	
Number of Cells	pcs		24	24	24	24	
Ampere-Hour Capacity	AH/HR		450/5	565/5	600/5	730/5	
Specs. of Cell	Overall Dimensions	Total Height	mm	427	441	441	522
		Container Height	mm	395	409	409	490
		Length	mm	161	177	177	177
		Width	mm	158	158	158	158
	Weight of Filled Cell	Approx. kg	25.5	30.0	32.0	39.5	
	Quantity of Electrolyte	Approx. liter	5.3	6.1	6.0	7.2	
Weight	Case	kg	95	95	95	115	
	Total (Battery)	kg	760	825	865	1075	
Operating Time			4h00m	5h20m	5h40m	7h10m	
					4h45m	5h10m	
						6h30m	

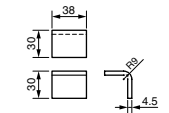
NOTE: * The distance from case to the tip of the connector.

Dimensions of Battery Case 7FB20.25

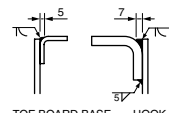
Unit: mm



HOOK TS400P T10



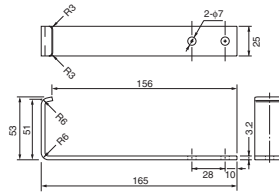
TOE BOARD BASE TS400P T4.5



TOE BOARD BASE HOOK

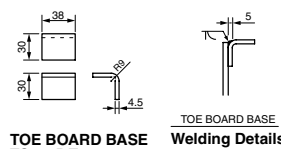
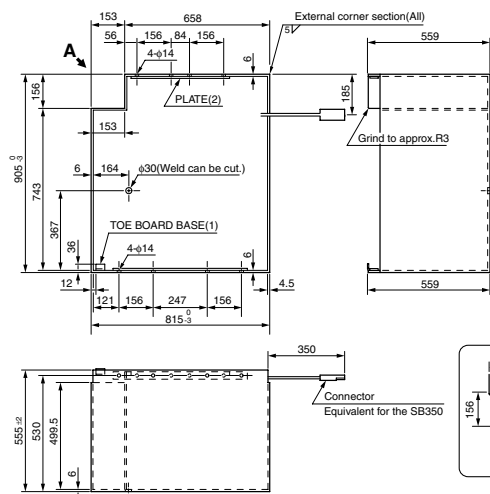
BATTERY CAPACITY : * 450AH/5HR, 48V
565AH/5HR, 48V
600AH/5HR, 48V

NOTE: * Only for 7FB20.



BATTERY CONNECTOR BRACKET

7FBH20.25



TOE BOARD BASE TS400P T4.5

TOE BOARD BASE

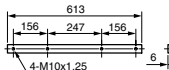


PLATE TS400P T6

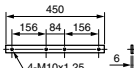
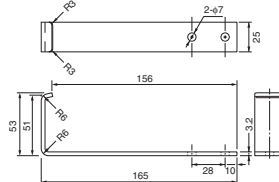


PLATE TS400P T6

BATTERY CAPACITY : 730AH/5HR, 48V



BATTERY CONNECTOR BRACKET

Dimensions of Battery Compartment

Model		7FB20.25	7FBH20.25
Width	mm	911	911
Length	mm	822	822
Height	mm	460	540

SPECIFICATIONS OF BATTERY AND BATTERY CASE

The "minimum weight of battery with case" indicated in the table is the lightest weight of the battery required to satisfy stability requirements of the vehicle in which it is installed.

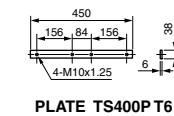
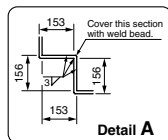
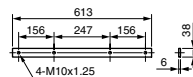
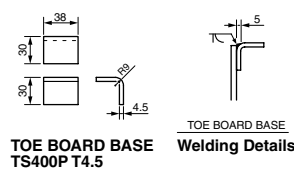
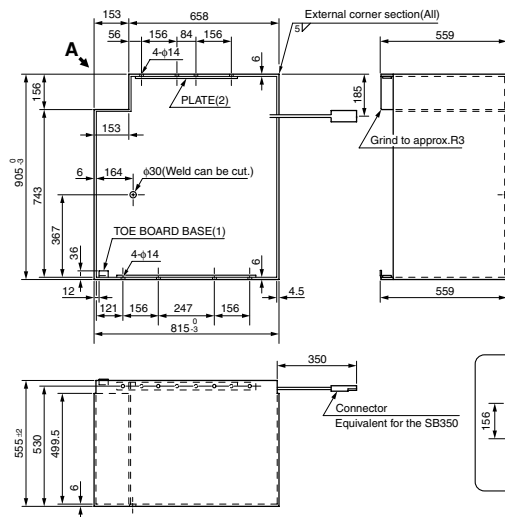
Specifications (GS YUASA)

Model		40-7FB15	40-7FB20	40-7FB25	
Vehicle Weight without Battery	kg	2620	3245	3475	
Minimum Weight of Battery with Case	kg	855	1225	1225	
Battery Connector Type		SB350 (2 Prong)	SB350 (2 Prong)	SB350 (2 Prong)	
Minimum Connector Length *	mm	350	350	350	
Truck Voltage	V	48	48	48	
Number of Cells	pcs	24	24	24	
Ampere-Hour Capacity	AH/HR	600/5	730/5	845/5	
Specs. of Cell	Total Height	mm	441	522	552
	Container Height	mm	409	490	520
	Length	mm	177	177	186
	Width	mm	158	158	158
Weight of Filled Cell	Approx. kg	32.0	39.5	46.5	
Quantity of Electrolyte	Approx. liter	6.0	7.2	7.8	
Weight	Case	kg	115	115	170
	Total (Battery)	kg	885	1075	1295
Operating Time		6h15m	7h30m	7h50m	7h20m

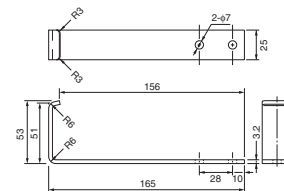
NOTE: * The distance from case to the tip of the connector.

Dimensions of Battery Case 40-7FB15

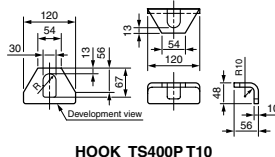
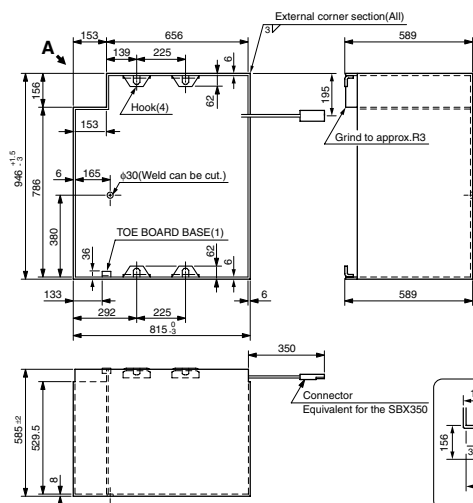
Unit: mm



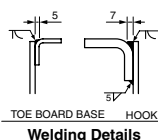
BATTERY CAPACITY : 600AH/5HR, 48V
730AH/5HR, 48V



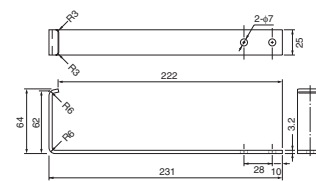
40-7FB20.25



TOE BOARD BASE TS400P T4.5



BATTERY CAPACITY : 845AH/5HR, 48V



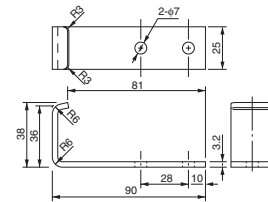
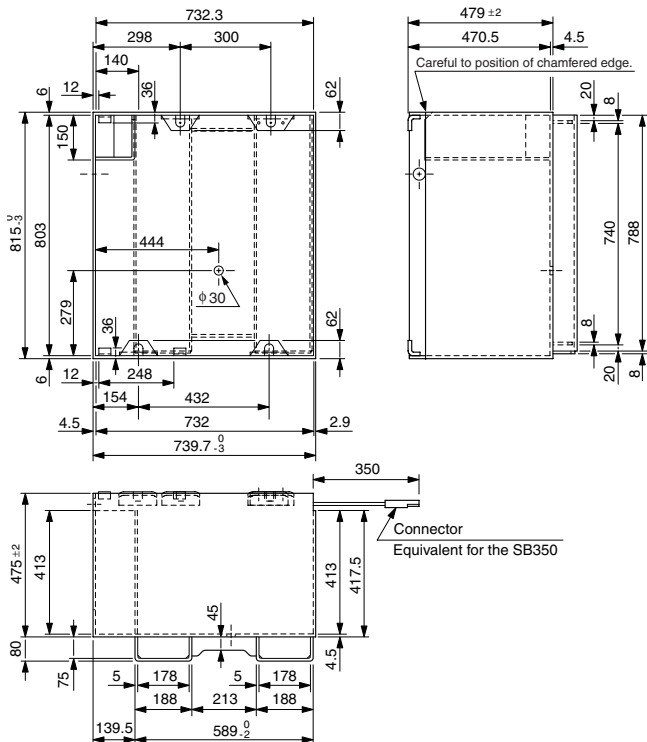
Dimensions of Battery Compartment

Model	40-7FB15	40-7FB20.25	
Width	mm	911	954
Length	mm	822	822
Height	mm	540	570

Dimensions of Battery Case (Side-out Type)

7FB10.14.15.18

BATTERY CAPACITY : 485AH/5HR, 48V



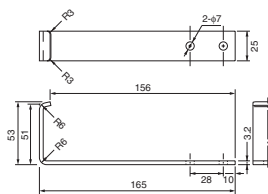
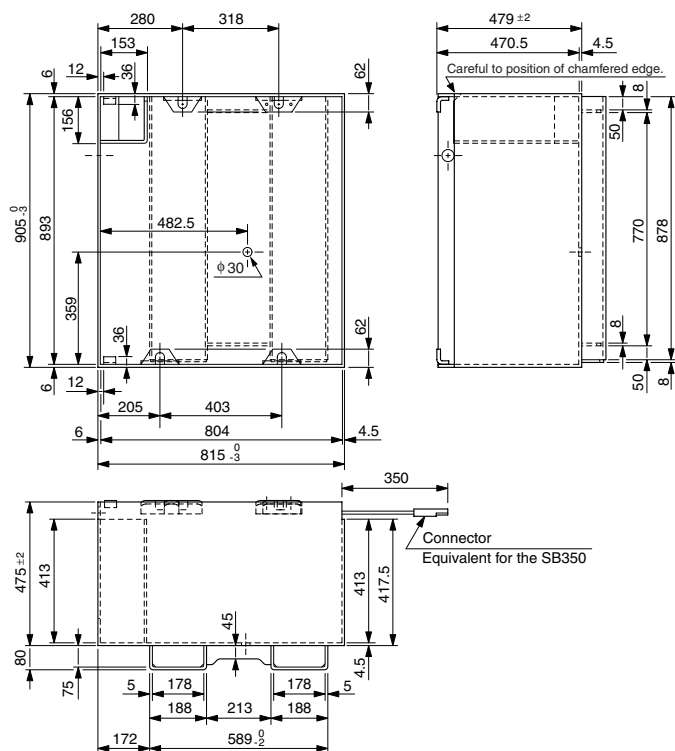
BATTERY CONNECTOR BRACKET

Dimensions of Battery Compartment

Model	7FB10.14.15.18	
Length	mm	920

7FB20.25

BATTERY CAPACITY : 600AH/5HR, 48V



BATTERY CONNECTOR BRACKET

Dimensions of Battery Compartment

Model	7FB20.25	
Length	mm	1070

SPECIFICATIONS OF BATTERY AND BATTERY CASE

The "minimum weight of battery with case" indicated in the table is the lightest weight of the battery required to satisfy stability requirements of the vehicle in which it is installed.

Specifications (GS YUASA)

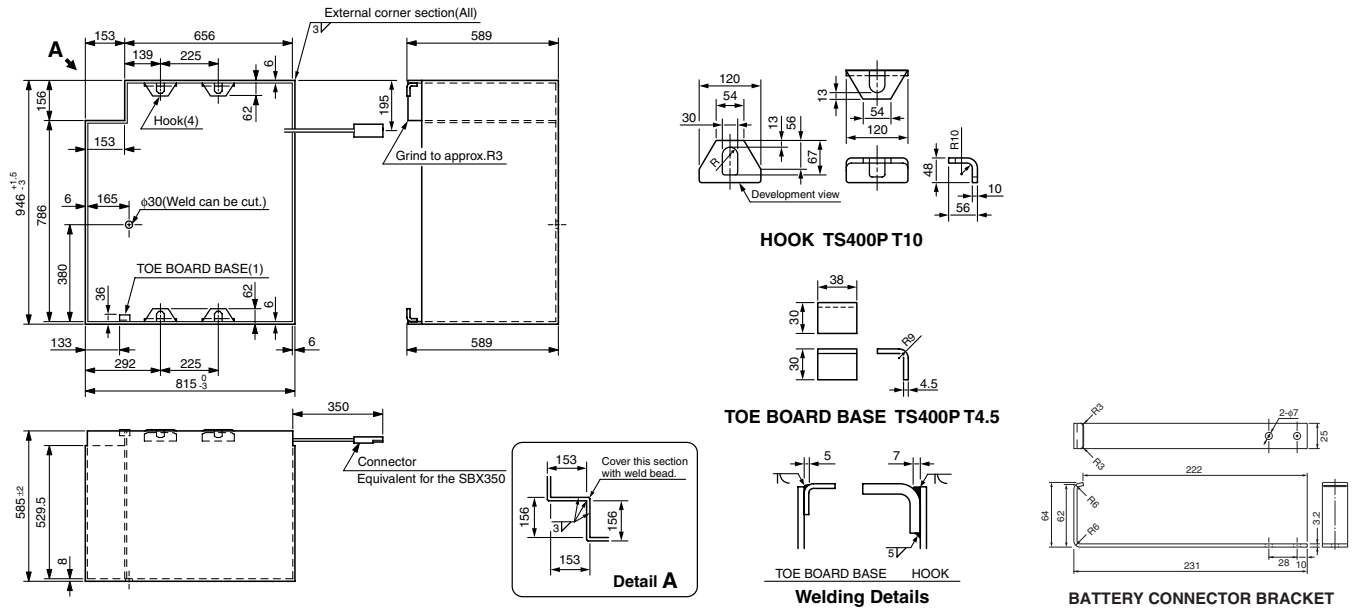
Model		7FB30		7FBJ35		
Vehicle Weight without Battery	kg	3800		4360		
Minimum Weight of Battery with Case	kg	920		920		
Battery Connector Type		SBX350 (3 Prong)		SBX350 (3 Prong)		
Minimum Connector Length *	mm	350		350		
Truck Voltage	V	80		80		
Number of Cells	pcs	40		40		
Ampere-Hour Capacity	AH/HR	370/5	470/5	370/5	470/5	
Specs. of Cell	Total Height	mm	552	552	552	552
	Container Height	mm	520	520	520	520
	Length	mm	90	109	90	109
	Width	mm	158	158	158	158
Weight of Filled Cell	Approx. kg	20.0	26.5	20.0	26.5	
Quantity of Electrolyte	Approx. liter	3.8	4.5	3.8	4.5	
Weight	Case	kg	125	170	125	170
	Total (Battery)	kg	955	1245	955	1245
Operating Time		4h30m	6h00m	4h10m	5h35m	

NOTE: * The distance from case to the tip of the connector.

Dimensions of Battery Case

7FB30, 7FBJ35
BATTERY CAPACITY : 370AH/5HR, 80V
470AH/5HR, 80V

Unit: mm



Dimensions of Battery Compartment

Model	7FB30, 7FBJ35	
Width	mm	954
Length	mm	822
Height	mm	570