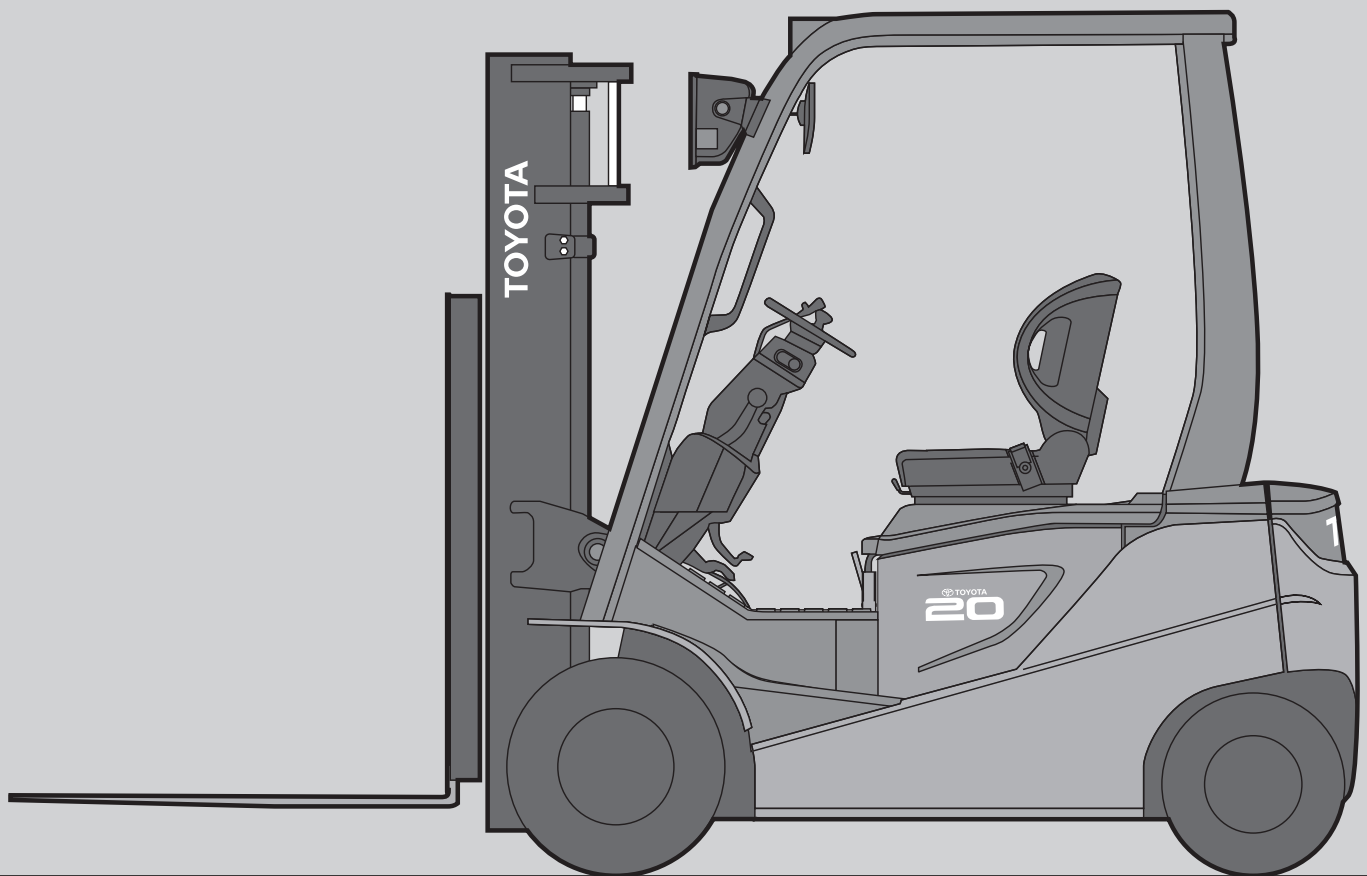


ELECTRIC POWERED FORKLIFT

8FBN 1.5 to 3.0 Ton
Series



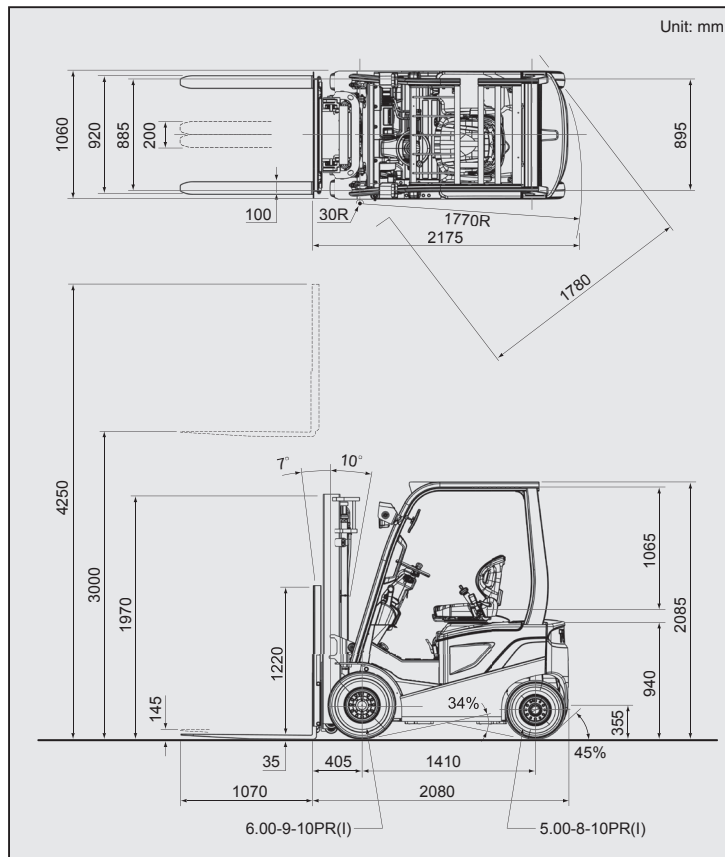
1,500 kg

MAIN VEHICLE SPECIFICATIONS

| | | | | | | | |
|------------------------|--|---|-----------------------------------|-------------------|-----------------|-------------|----|
| Characteristics | 1 | Manufacturer | | | TOYOTA | 1 | |
| | 2 | Model | | | 8FBN15 | 2 | |
| | 3 | Load Capacity | | kg | 1500 | 3 | |
| | 4 | Load Center | | mm | 500 | 4 | |
| | 5 | Power Type | | | Battery | 5 | |
| | 6 | Operator Position | | | Rider Seated | 6 | |
| | 7 | Tire Type | Front/Rear | | | Pneumatic | 7 |
| | 8 | Wheels (x = driven) | Front/Rear | | | 2x/2 | 8 |
| Dimensions | 9 | Maximum Fork Height (MFH) | | mm | 3000 | 9 | |
| | 10 | Free Lift | | mm | 145 | 10 | |
| | 13 | Fork Size | T x W x L | | mm | 35x100x1070 | 13 |
| | | Fork Spread (Outside) | | MAX./MIN. | mm | 920/200 | |
| | 14 | Tilt Range | FWD/BWD | | deg | 7/10 | 14 |
| | 15 | Length to Fork Face | | mm | 2080 | 15 | |
| | 16 | Overall Width | | mm | 1060 | 16 | |
| | 17 | Mast Lowered Height | | mm | 1970 | 17 | |
| | 18 | Mast Extended Height | | mm | 4250 | 18 | |
| | 19 | Overhead Guard Height | | mm | 2085 | 19 | |
| | 21 | Turning Radius (Outside) | | mm | 1770 | 21 | |
| | 22 | Load Distance (Centerline of front axle to front face of forks) | | mm | 405 | 22 | |
| | | Rear Overhang | | mm | 265 | | |
| 23 | Basic Right Angle Stacking Aisle Width (Add load length and clearance) | | mm | 2175 | 23 | | |
| Performance | 24 | | Travel, Max. (FWD/RVS) | Full Load | km/h | 14.5 | 24 |
| | No Load | | | km/h | 17.0 | | |
| | 25 | Speeds | Lifting | Full Load | mm/sec | 420 | 25 |
| | No Load | | | mm/sec | 650 | | |
| | 26 | | Lowering | Full Load | mm/sec | 500 | 26 |
| | No Load | | | mm/sec | 550 | | |
| | 27 | Drawbar Pull* | Full Load/ No Load | 3-Minute Ratings | N | 7900/7200 | 27 |
| | | | | 5-Minute Ratings | N | 7900/7200 | |
| | | | | 60-Minute Ratings | N | 2800/2800 | |
| | 29 | Gradeability* | Full Load/ No Load | 3-Minute Ratings | % (tanθ) | 19.0/25.0 | 29 |
| | 5-Minute Ratings | | | % (tanθ) | 19.0/25.0 | | |
| | 30-Minute Ratings | | | % (tanθ) | 12.0/19.0 | | |
| Weight | 32 | Total Weight | Without Battery | | kg | 2210 | 32 |
| | 33 | Weight Distribution (With Min. Battery) | Full Load | Front | kg | 3900 | 33 |
| | | | | Rear | kg | 470 | |
| | 34 | | No Load | Front | kg | 1440 | 34 |
| | | | | Rear | kg | 1430 | |
| Wheels and Tires | 35 | Tires | Number | Front/Rear | | 2/2 | 35 |
| | 36 | | Size | Front | 6.00-9-10PR (I) | | 36 |
| | 37 | Rear | | 5.00-8-10PR (I) | | 37 | |
| | 38 | Wheelbase | | mm | 1410 | 38 | |
| | 39 | Tread | Front | mm | 885 | 39 | |
| | | | Rear | mm | 895 | | |
| | | Backrest Height | | mm | 1220 | | |
| | | Overhead Guard Clearance | | mm | 1065 | | |
| | | Counterweight Height | | mm | 940 | | |
| | | Drawbar Pin Center Height | | mm | 355 | | |
| | | Step Height/Floor Height | | mm | 465/615 | | |
| | 40 | Underclearance (Full load) | Min. <Mast> | mm | 80 | 40 | |
| | 41 | | Center of Wheelbase | mm | 115 | 41 | |
| | | Grade Clearance | Frame/Counterweight | % (tanθ) | 34/45 | | |
| | 42 | Brake | Service (Foot) | | Hydraulic | 42 | |
| 43 | Parking | | | Hand | 43 | | |
| Drive Unit and Control | 45 | Battery | Voltage/Capacity (5-hour ratings) | Min. | V/AH | 48/390 | 45 |
| | | | | High | V/AH | 48/565 | |
| | 46 | Weight (Min. Capacity Type) | | kg | 660 | 46 | |
| | 47 | Electric Motors | Drive | kW | 7.6 | 47 | |
| | 48 | | Load Handling/Power Steering | kW | 9.5 | 48 | |
| | 54 | Control Type | Drive | | AC inverter | 54 | |
| | Load Handling/Power Steering | | | | AC inverter | | |
| 57 | Operating Pressure | For Attachments | | Mpa | 11.8 | 57 | |

NOTE: * Computed values.

DIMENSIONAL DRAWINGS



UNDERCLEARANCE mm

| | |
|--------------------------------------|-----|
| Mast (Full Load)..... | 80 |
| Drive Axle (Full Load)..... | 90 |
| Steer Axle (No Load)..... | 120 |
| Center of Wheelbase (Full Load)..... | 115 |
| Counterweight (No Load)..... | 125 |

RATED CAPACITIES

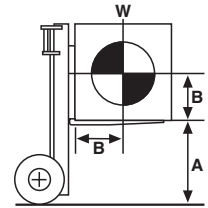
Unit: kg (W)

V Mast (PN or PSC)

| A (mm) | 3000 | 3500 | 4000 | 4500 | 5000 |
|--------|------|------|------|------|------|
| 500 | 1500 | 1500 | 1500 | 1450 | 1350 |
| 600 | 1350 | 1350 | 1350 | 1300 | 1210 |
| 700 | 1220 | 1220 | 1220 | 1180 | 1100 |
| 800 | 1120 | 1120 | 1120 | 1080 | 1010 |
| 900 | 1040 | 1040 | 1040 | 1000 | 930 |
| 1000 | 960 | 960 | 960 | 930 | 860 |
| 1100 | 900 | 900 | 900 | 870 | 810 |
| 1200 | 840 | 840 | 840 | 810 | 760 |

FV Mast (PN or PSC)

| A (mm) | 3000 | 3500 |
|--------|------|------|
| 500 | 1500 | 1500 |
| 600 | 1350 | 1350 |
| 700 | 1220 | 1220 |
| 800 | 1120 | 1120 |
| 900 | 1040 | 1040 |
| 1000 | 960 | 960 |
| 1100 | 900 | 900 |
| 1200 | 840 | 840 |



A: Max. Fork Height
B: Load Center
W: Capacity

FSV Mast (PN or PSC)

| A (mm) | 4300 | 4500 | 4700 | 5000 | 5500 | 6000 |
|--------|------|------|------|------|------|------|
| 500 | 1400 | 1350 | 1350 | 1200 | 1100 | 900 |
| 600 | 1260 | 1210 | 1210 | 1080 | 990 | 810 |
| 700 | 1150 | 1100 | 1100 | 980 | 900 | 730 |
| 800 | 1050 | 1010 | 1010 | 900 | 830 | 670 |
| 900 | 970 | 940 | 940 | 830 | 760 | 620 |
| 1000 | 900 | 870 | 870 | 770 | 710 | 580 |
| 1100 | 840 | 810 | 810 | 720 | 660 | 540 |
| 1200 | 790 | 760 | 760 | 680 | 620 | 510 |

SPECIAL TREAD

| Front Tire (PN or PSC) | Single PN | Single PN | Single PSC | Single PSC | Single PSC |
|------------------------|------------------|-------------------|------------|------------|------------|
| Front Tire Size | 6.50-10-10PR (I) | 21 x 8-9-10PR (I) | 6.00-9 | 6.50-10 | 21 x 8-9 |
| Overall Width mm | 1065 | 1125 | 1060 | 1060 | 1125 |
| Tread. Front mm | 885 | 920 | 885 | 885 | 920 |

MAST SPECIFICATIONS & RATED CAPACITIES

| Mast Type | Maximum Fork Height | Overall Height | | | Free Lift | | Single Tire | | | |
|--|---------------------|----------------|-----------------------|-----------------------------|-----------------------|-----------------------------|-------------|-----|----------------------------|-------------------------------|
| | | *Lowered | Extended | | Without Load Backrest | With Standard Load Backrest | Tilt Range | | Load Capacity at 500 mm LC | |
| | | | Without Load Backrest | With Standard Load Backrest | | | FWD | BWD | Pneumatic Tire | Pneumatic-Shaped Cushion Tire |
| mm | mm | mm | mm | mm | mm | deg | deg | kg | kg | |
| Wide Visible Mast (V) | 3000 | 1970 | 3635 | 4250 | 145 | 145 | 7 | 10 | 1500 | 1500 |
| | 3500 | 2220 | 4135 | 4750 | 145 | 145 | 7 | 10 | 1500 | 1500 |
| | 4000 | 2570 | 4635 | 5250 | 145 | 145 | 7 | 10 | 1500 | 1500 |
| | 4500 | 2820 | 5135 | 5750 | 145 | 145 | 7 | 5 | 1450 | 1450 |
| | 5000 | 3070 | 5635 | 6250 | 145 | 145 | 7 | 5 | 1350 | 1350 |
| Wide Visible Full-Free Lift Two-Stage Mast (FV) | 3000 | 1970 | 3600 | 4250 | *1405 | *755 | 7 | 10 | 1500 | 1500 |
| | 3500 | 2220 | 4100 | 4750 | *1655 | *1005 | 7 | 10 | 1500 | 1500 |
| Wide Visible Full-Free Lift Three-Stage Mast (FSV) | 4300 | 1970 | 4870 | 5550 | *1435 | *755 | 7 | 5 | 1400 | 1400 |
| | 4500 | 2040 | 5070 | 5750 | *1505 | *825 | 7 | 5 | 1350 | 1350 |
| | 4700 | 2120 | 5270 | 5950 | *1585 | *905 | 7 | 5 | 1350 | 1350 |
| | 5000 | 2220 | 5570 | 6250 | *1685 | *1005 | 7 | 5 | 1200 | 1200 |
| | 5500 | 2380 | 6070 | 6750 | *1845 | *1165 | 7 | 5 | 1100 | 1100 |
| | 6000 | 2570 | 6570 | 7250 | *2035 | *1355 | 7 | 5 | 900 | 900 |

NOTE: Standard load backrest height is 1220 mm.
* With optional tire size; 6.50-10-10PR (I), plus 25 mm.

1,750 kg

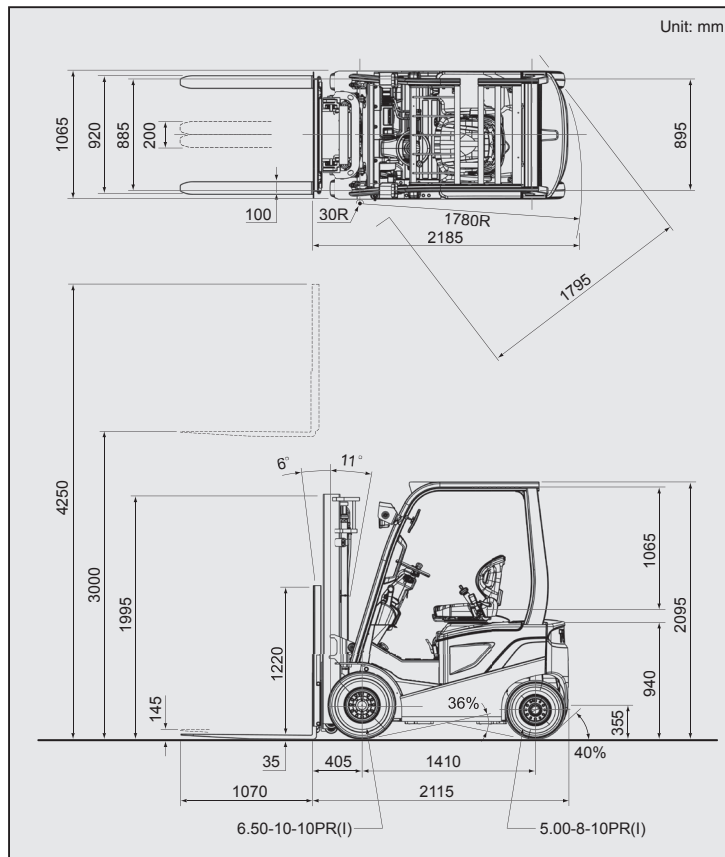
MAIN VEHICLE SPECIFICATIONS

| | | | | | | | |
|------------------------|--|---|-----------------------------------|-------------------|------------------|-------------|----|
| Characteristics | 1 | Manufacturer | | | TOYOTA | 1 | |
| | 2 | Model | | | 8FBN18 | 2 | |
| | 3 | Load Capacity | | kg | 1750 | 3 | |
| | 4 | Load Center | | mm | 500 | 4 | |
| | 5 | Power Type | | | Battery | 5 | |
| | 6 | Operator Position | | | Rider Seated | 6 | |
| | 7 | Tire Type | Front/Rear | | | Pneumatic | 7 |
| | 8 | Wheels (x = driven) | Front/Rear | | | 2x/2 | 8 |
| Dimensions | 9 | Maximum Fork Height (MFH) | | mm | 3000 | 9 | |
| | 10 | Free Lift | | mm | 145 | 10 | |
| | 13 | Fork Size | T x W x L | | mm | 35x100x1070 | 13 |
| | | Fork Spread (Outside) | | MAX./MIN. | mm | 920/200 | |
| | 14 | Tilt Range | FWD/BWD | | deg | 6/11 | 14 |
| | 15 | Length to Fork Face | | mm | 2115 | 15 | |
| | 16 | Overall Width | | mm | 1065 | 16 | |
| | 17 | Mast Lowered Height | | mm | 1995 | 17 | |
| | 18 | Mast Extended Height | | mm | 4250 | 18 | |
| | 19 | Overhead Guard Height | | mm | 2095 | 19 | |
| | 21 | Turning Radius (Outside) | | mm | 1780 | 21 | |
| | 22 | Load Distance (Centerline of front axle to front face of forks) | | mm | 405 | 22 | |
| | | Rear Overhang | | mm | 300 | | |
| 23 | Basic Right Angle Stacking Aisle Width (Add load length and clearance) | | mm | 2185 | 23 | | |
| Performance | 24 | | Travel, Max. (FWD/RVS) | Full Load | km/h | 15.0 | 24 |
| | | | | No Load | km/h | 17.5 | |
| | 25 | Speeds | Lifting | Full Load | mm/sec | 370 | 25 |
| | | | | No Load | mm/sec | 650 | |
| | 26 | | Lowering | Full Load | mm/sec | 500 | 26 |
| | | | | No Load | mm/sec | 550 | |
| | 27 | Drawbar Pull* | Full Load/ No Load | 3-Minute Ratings | N | 7100/7300 | 27 |
| | | | | 5-Minute Ratings | N | 7100/7300 | |
| | | | | 60-Minute Ratings | N | 2500/2700 | |
| | 29 | Gradeability* | Full Load/ No Load | 3-Minute Ratings | % (tanθ) | 15.5/23.0 | 29 |
| | 5-Minute Ratings | | | % (tanθ) | 15.5/23.0 | | |
| | 30-Minute Ratings | | | % (tanθ) | 10.0/16.5 | | |
| Weight | 32 | Total Weight | Without Battery | | kg | 2390 | 32 |
| | 33 | Weight Distribution (With Min. Battery) | Full Load | Front | kg | 4300 | 33 |
| | | | | Rear | kg | 500 | |
| | 34 | | No Load | Front | kg | 1420 | 34 |
| | | | | Rear | kg | 1630 | |
| Wheels and Tires | 35 | Tires | Number | Front/Rear | | 2/2 | 35 |
| | 36 | | Size | Front | 6.50-10-10PR (I) | | 36 |
| | 37 | | | Rear | 5.00-8-10PR (I) | | 37 |
| | 38 | Wheelbase | | mm | 1410 | | 38 |
| | 39 | Tread | Front | mm | | 885 | 39 |
| | | | Rear | mm | | 895 | |
| | | Backrest Height | | mm | 1220 | | |
| | | Overhead Guard Clearance | | mm | 1065 | | |
| | | Counterweight Height | | mm | 940 | | |
| | | Drawbar Pin Center Height | | mm | 355 | | |
| | | Step Height/Floor Height | | mm | 490/640 | | |
| | 40 | Underclearance (Full load) | Min. <Mast> | mm | | 105 | 40 |
| | 41 | | Center of Wheelbase | mm | | 125 | 41 |
| | | Grade Clearance | Frame/Counterweight | | % (tanθ) | 36/40 | |
| | 42 | Brake | Service (Foot) | | Hydraulic | | 42 |
| 43 | Parking | | Hand | | 43 | | |
| Drive Unit and Control | 45 | Battery | Voltage/Capacity (5-hour ratings) | Min. | V/AH | 48/390 | 45 |
| | | | | High | V/AH | 48/565 | |
| | 46 | Weight (Min. Capacity Type) | | kg | 660 | | 46 |
| | 47 | Electric Motors | Drive | | kW | 7.6 | 47 |
| | 48 | | Load Handling/Power Steering | | kW | 9.5 | 48 |
| | 54 | Control Type | Drive | | AC inverter | | 54 |
| | Load Handling/Power Steering | | AC inverter | | | | |
| 57 | Operating Pressure | For Attachments | | Mpa | 11.8 | 57 | |

NOTE: * Computed values.

Unit: kg (W)

DIMENSIONAL DRAWINGS



UNDERCLEARANCE mm

| | |
|--------------------------------------|-----|
| Mast (Full Load)..... | 105 |
| Drive Axle (Full Load)..... | 115 |
| Steer Axle (No Load)..... | 120 |
| Center of Wheelbase (Full Load)..... | 125 |
| Counterweight (No Load)..... | 125 |

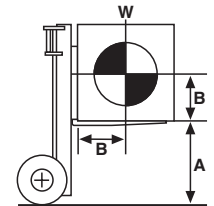
RATED CAPACITIES

V Mast (PN or PSC)

| A (mm) | 3000 | 3500 | 4000 | 4500 | 5000 |
|--------|------|------|------|------|------|
| 500 | 1750 | 1750 | 1650 | 1550 | 1200 |
| 600 | 1570 | 1570 | 1480 | 1390 | 1080 |
| 700 | 1430 | 1430 | 1350 | 1260 | 980 |
| 800 | 1310 | 1310 | 1230 | 1160 | 900 |
| 900 | 1210 | 1210 | 1140 | 1070 | 830 |
| 1000 | 1120 | 1120 | 1060 | 990 | 770 |
| 1100 | 1050 | 1050 | 990 | 930 | 720 |
| 1200 | 980 | 980 | 930 | 870 | 670 |

FV Mast (PN or PSC)

| A (mm) | 3000 | 3500 |
|--------|------|------|
| 500 | 1750 | 1750 |
| 600 | 1570 | 1570 |
| 700 | 1430 | 1430 |
| 800 | 1310 | 1310 |
| 900 | 1210 | 1210 |
| 1000 | 1120 | 1120 |
| 1100 | 1050 | 1050 |
| 1200 | 980 | 980 |



A: Max. Fork Height
B: Load Center
W: Capacity

FSV Mast (PN or PSC)

| A (mm) | 4300 | 4500 | 4700 | 5000 | 5500 | 6000 |
|--------|------|------|------|------|------|------|
| 500 | 1550 | 1500 | 1500 | 1250 | 900 | 750 |
| 600 | 1390 | 1350 | 1350 | 1120 | 810 | 670 |
| 700 | 1270 | 1230 | 1230 | 1020 | 730 | 610 |
| 800 | 1170 | 1130 | 1130 | 940 | 670 | 560 |
| 900 | 1080 | 1040 | 1040 | 870 | 620 | 520 |
| 1000 | 1000 | 970 | 970 | 810 | 580 | 480 |
| 1100 | 930 | 900 | 900 | 750 | 540 | 450 |
| 1200 | 880 | 850 | 850 | 710 | 510 | 420 |

SPECIAL TREAD

| Front Tire (PN or PSC) | Single PN | Single PSC | Single PSC |
|------------------------|-------------------|------------|------------|
| Front Tire Size | 21 x 8-9-10PR (I) | 6.50-10 | 21 x 8-9 |
| Overall Width mm | 1125 | 1060 | 1125 |
| Tread, Front mm | 920 | 885 | 920 |

MAST SPECIFICATIONS & RATED CAPACITIES

| Mast Type | Maximum Fork Height | Overall Height | | | Free Lift | | Single Tire | | | |
|--|---------------------|----------------|-----------------------|-----------------------------|-----------------------|-----------------------------|-------------|-----|----------------------------|-------------------------------|
| | | *Lowered | Extended | | Without Load Backrest | With Standard Load Backrest | Tilt Range | | Load Capacity at 500 mm LC | |
| | | | Without Load Backrest | With Standard Load Backrest | | | FWD | BWD | Pneumatic Tire | Pneumatic-Shaped Cushion Tire |
| | | | | | | | | | | |
| mm | mm | mm | mm | mm | mm | deg | deg | kg | kg | |
| Wide Visible Mast (V) | 3000 | 1995 | 3635 | 4250 | 145 | 145 | 6 | 11 | 1750 | 1750 |
| | 3500 | 2245 | 4135 | 4750 | 145 | 145 | 6 | 11 | 1750 | 1750 |
| | 4000 | 2595 | 4635 | 5250 | 145 | 145 | 6 | 11 | 1650 | 1650 |
| | 4500 | 2845 | 5135 | 5750 | 145 | 145 | 6 | 6 | 1550 | 1550 |
| | 5000 | 3095 | 5635 | 6250 | 145 | 145 | 6 | 6 | 1200 | 1200 |
| Wide Visible Full-Free Lift Two-Stage Mast (FV) | 3000 | 1995 | 3600 | 4250 | *1430 | *780 | 6 | 11 | 1750 | 1750 |
| | 3500 | 2245 | 4100 | 4750 | *1680 | *1030 | 6 | 11 | 1750 | 1750 |
| Wide Visible Full-Free Lift Three-Stage Mast (FSV) | 4300 | 1995 | 4870 | 5550 | *1460 | *780 | 6 | 6 | 1550 | 1550 |
| | 4500 | 2065 | 5070 | 5750 | *1530 | *850 | 6 | 6 | 1500 | 1500 |
| | 4700 | 2145 | 5270 | 5950 | *1610 | *930 | 6 | 6 | 1500 | 1500 |
| | 5000 | 2245 | 5570 | 6250 | *1710 | *1030 | 6 | 6 | 1250 | 1250 |
| | 5500 | 2405 | 6070 | 6750 | *1870 | *1190 | 6 | 6 | 900 | 900 |
| | 6000 | 2595 | 6570 | 7250 | *2060 | *1380 | 6 | 6 | 750 | 750 |

NOTE: Standard load backrest height is 1220 mm.
* With optional tire size; 21x8-9-10PR (I). minus 25 mm.

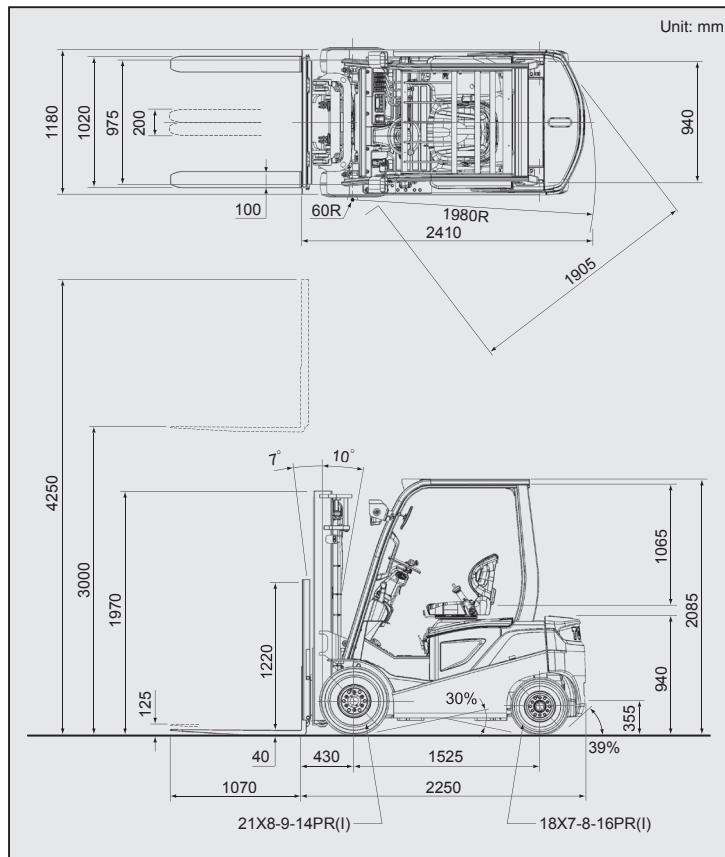
2,000 kg

MAIN VEHICLE SPECIFICATIONS

| | | | | | | | |
|------------------------|--|---|-----------------------------------|-------------------|-----------------|-------------|----|
| Characteristics | 1 | Manufacturer | | | TOYOTA | 1 | |
| | 2 | Model | | | 8FBN20 | 2 | |
| | 3 | Load Capacity | | kg | 2000 | 3 | |
| | 4 | Load Center | | mm | 500 | 4 | |
| | 5 | Power Type | | | Battery | 5 | |
| | 6 | Operator Position | | | Rider Seated | 6 | |
| | 7 | Tire Type | Front/Rear | | | Pneumatic | 7 |
| | 8 | Wheels (x = driven) | Front/Rear | | | 2x/2 | 8 |
| Dimensions | 9 | Maximum Fork Height (MFH) | | mm | 3000 | 9 | |
| | 10 | Free Lift | | mm | 125 | 10 | |
| | 13 | Fork Size | T x W x L | | mm | 40x100x1070 | 13 |
| | | Fork Spread (Outside) | | MAX./MIN. | mm | 1020/200 | |
| | 14 | Tilt Range | FWD/BWD | | deg | 7/10 | 14 |
| | 15 | Length to Fork Face | | mm | 2250 | 15 | |
| | 16 | Overall Width | | mm | 1180 | 16 | |
| | 17 | Mast Lowered Height | | mm | 1970 | 17 | |
| | 18 | Mast Extended Height | | mm | 4250 | 18 | |
| | 19 | Overhead Guard Height | | mm | 2085 | 19 | |
| | 21 | Turning Radius (Outside) | | mm | 1980 | 21 | |
| | 22 | Load Distance (Centerline of front axle to front face of forks) | | mm | 430 | 22 | |
| | | Rear Overhang | | mm | 295 | | |
| 23 | Basic Right Angle Stacking Aisle Width (Add load length and clearance) | | mm | 2410 | 23 | | |
| Performance | 24 | | Travel, Max. (FWD/RVS) | Full Load | km/h | 14.5 | 24 |
| | No Load | | | km/h | 16.5 | | |
| | 25 | Speeds | Lifting | Full Load | mm/sec | 360 | 25 |
| | No Load | | | mm/sec | 600 | | |
| | 26 | | Lowering | Full Load | mm/sec | 500 | 26 |
| | No Load | | | mm/sec | 500 | | |
| | 27 | Drawbar Pull* | Full Load/ No Load | 3-Minute Ratings | N | 10200/8400 | 27 |
| | | | | 5-Minute Ratings | N | 10200/8400 | |
| | | | | 60-Minute Ratings | N | 4700/4900 | |
| 29 | Gradeability* | Full Load/ No Load | 3-Minute Ratings | % (tanθ) | 19.0/22.0 | 29 | |
| | | | 5-Minute Ratings | % (tanθ) | 19.0/22.0 | | |
| | | | 30-Minute Ratings | % (tanθ) | 15.0/22.0 | | |
| Weight | 32 | Total Weight | Without Battery | | kg | 2710 | 32 |
| | 33 | Weight Distribution (With Min. Battery) | Full Load | Front | kg | 4850 | 33 |
| | | | | Rear | kg | 580 | |
| | 34 | | No Load | Front | kg | 1630 | 34 |
| | | | | Rear | kg | 1800 | |
| Wheels and Tires | 35 | Tires | Number | Front/Rear | | 2/2 | 35 |
| | 36 | | Size | Front | 21x8-9-14PR (I) | | 36 |
| | 37 | | | Rear | 18x7-8-16PR (I) | | 37 |
| | 38 | Wheelbase | | mm | 1525 | 38 | |
| | 39 | Tread | Front | mm | 975 | 39 | |
| | | | Rear | mm | 940 | | |
| | | Backrest Height | | mm | 1220 | | |
| | | Overhead Guard Clearance | | mm | 1065 | | |
| | | Counterweight Height | | mm | 940 | | |
| | | Drawbar Pin Center Height | | mm | 355 | | |
| | | Step Height/Floor Height | | mm | 465/615 | | |
| | 40 | Underclearance (Full load) | Min. <Mast> | mm | 80 | 40 | |
| | 41 | | Center of Wheelbase | mm | 110 | 41 | |
| | | Grade Clearance | Frame/Counterweight | % (tanθ) | 30/39 | | |
| | 42 | Brake | Service (Foot) | | Hydraulic | 42 | |
| 43 | Parking | | | Hand | 43 | | |
| Drive Unit and Control | 45 | Battery | Voltage/Capacity (5-hour ratings) | Min. | V/AH | 48/470 | 45 |
| | | | | High | V/AH | 48/725 | |
| | 46 | Weight (Min. Capacity Type) | | kg | 720 | 46 | |
| | 47 | Electric Motors | Drive | kW | 10.7 | 47 | |
| | 48 | | Load Handling/Power Steering | kW | 12.2 | 48 | |
| | 54 | Control Type | Drive | | AC inverter | 54 | |
| | Load Handling/Power Steering | | | | AC inverter | | |
| 57 | Operating Pressure | For Attachments | | Mpa | 14.8 | 57 | |

NOTE: * Computed values.

DIMENSIONAL DRAWINGS



UNDERCLEARANCE mm

| | |
|--------------------------------------|-----|
| Mast (Full Load)..... | 80 |
| Drive Axle (Full Load)..... | 90 |
| Steer Axle (No Load)..... | 115 |
| Center of Wheelbase (Full Load)..... | 110 |
| Counterweight (No Load)..... | 120 |

RATED CAPACITIES

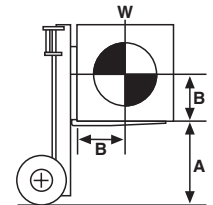
Unit: kg (W)

V Mast (PN or PSC)

| A (mm) | 3000 | 3500 | 4000 | 4500 | 5000 |
|--------|------|------|------|------|------|
| 500 | 2000 | 2000 | 2000 | 1900 | 1650 |
| 600 | 1800 | 1800 | 1800 | 1710 | 1490 |
| 700 | 1640 | 1640 | 1640 | 1560 | 1350 |
| 800 | 1510 | 1510 | 1510 | 1430 | 1240 |
| 900 | 1390 | 1390 | 1390 | 1320 | 1150 |
| 1000 | 1300 | 1300 | 1300 | 1230 | 1070 |
| 1100 | 1210 | 1210 | 1210 | 1150 | 1000 |
| 1200 | 1140 | 1140 | 1140 | 1080 | 940 |

FV Mast (PN or PSC)

| A (mm) | 3000 | 3500 | 4000 |
|--------|------|------|------|
| 500 | 2000 | 2000 | 2000 |
| 600 | 1800 | 1800 | 1800 |
| 700 | 1640 | 1640 | 1640 |
| 800 | 1510 | 1510 | 1510 |
| 900 | 1390 | 1390 | 1390 |
| 1000 | 1300 | 1300 | 1300 |
| 1100 | 1210 | 1210 | 1210 |
| 1200 | 1140 | 1140 | 1140 |



A: Max. Fork Height
B: Load Center
W: Capacity

FSV Mast (PN or PSC)

| A (mm) | 4300 | 4500 | 4700 | 5000 | 5500 | 6000 |
|--------|------|------|------|------|------|------|
| 500 | 1850 | 1800 | 1800 | 1550 | 1200 | 900 |
| 600 | 1670 | 1630 | 1630 | 1400 | 1080 | 810 |
| 700 | 1530 | 1480 | 1480 | 1280 | 990 | 740 |
| 800 | 1400 | 1370 | 1370 | 1180 | 910 | 680 |
| 900 | 1300 | 1270 | 1270 | 1090 | 840 | 630 |
| 1000 | 1210 | 1180 | 1180 | 1010 | 780 | 590 |
| 1100 | 1130 | 1100 | 1100 | 950 | 730 | 550 |
| 1200 | 1060 | 1040 | 1040 | 890 | 690 | 520 |

SPECIAL TREAD

| | | |
|------------------------|------------|------------|
| Front Tire (PN or PSC) | Single PSC | Single PSC |
| Front Tire Size | 21 x 8-9 | 23 x 9-10 |
| Overall Width mm | 1180 | 1180 |
| Tread, Front mm | 980 | 990 |

MAST SPECIFICATIONS & RATED CAPACITIES

| Mast Type | Maximum Fork Height | Overall Height | | | Free Lift | | Single Tire | | | |
|--|---------------------|----------------|-----------------------|-----------------------------|-----------------------|-----------------------------|-------------|-----|----------------------------|-------------------------------|
| | | *Lowered | Extended | | Without Load Backrest | With Standard Load Backrest | Tilt Range | | Load Capacity at 500 mm LC | |
| | | | Without Load Backrest | With Standard Load Backrest | | | FWD | BWD | Pneumatic Tire | Pneumatic-Shaped Cushion Tire |
| mm | mm | mm | mm | mm | mm | deg | deg | kg | kg | |
| Wide Visible Mast (V) | 3000 | 1970 | 3705 | 4250 | 125 | 125 | 7 | 10 | 2000 | 2000 |
| | 3500 | 2220 | 4205 | 4750 | 125 | 125 | 7 | 10 | 2000 | 2000 |
| | 4000 | 2570 | 4705 | 5250 | 125 | 125 | 7 | 10 | 2000 | 2000 |
| | 4500 | 2820 | 5205 | 5750 | 125 | 125 | 7 | 5 | 1900 | 1900 |
| | 5000 | 3070 | 5705 | 6250 | 125 | 125 | 7 | 5 | 1650 | 1650 |
| Wide Visible Full-Free Lift Two-Stage Mast (FV) | 3000 | 1970 | 3640 | 4250 | *1365 | *760 | 7 | 10 | 2000 | 2000 |
| | 3500 | 2220 | 4140 | 4750 | *1615 | *1010 | 7 | 10 | 2000 | 2000 |
| | 4000 | 2570 | 4640 | 5250 | *1965 | *1360 | 7 | 10 | 2000 | 2000 |
| Wide Visible Full-Free Lift Three-Stage Mast (FSV) | 4300 | 1970 | 4980 | 5550 | *1325 | *760 | 7 | 5 | 1850 | 1850 |
| | 4500 | 2040 | 5180 | 5750 | *1395 | *830 | 7 | 5 | 1800 | 1800 |
| | 4700 | 2120 | 5380 | 5950 | *1475 | *910 | 7 | 5 | 1800 | 1800 |
| | 5000 | 2220 | 5680 | 6250 | *1575 | *1010 | 7 | 5 | 1550 | 1550 |
| | 5500 | 2380 | 6180 | 6750 | *1735 | *1170 | 7 | 5 | 1200 | 1200 |
| | 6000 | 2570 | 6680 | 7250 | *1925 | *1360 | 7 | 5 | 900 | 900 |

NOTE: Standard load backrest height is 1220 mm.

* With optional tire size; 23x9-10-16PR (I), plus 30 mm.

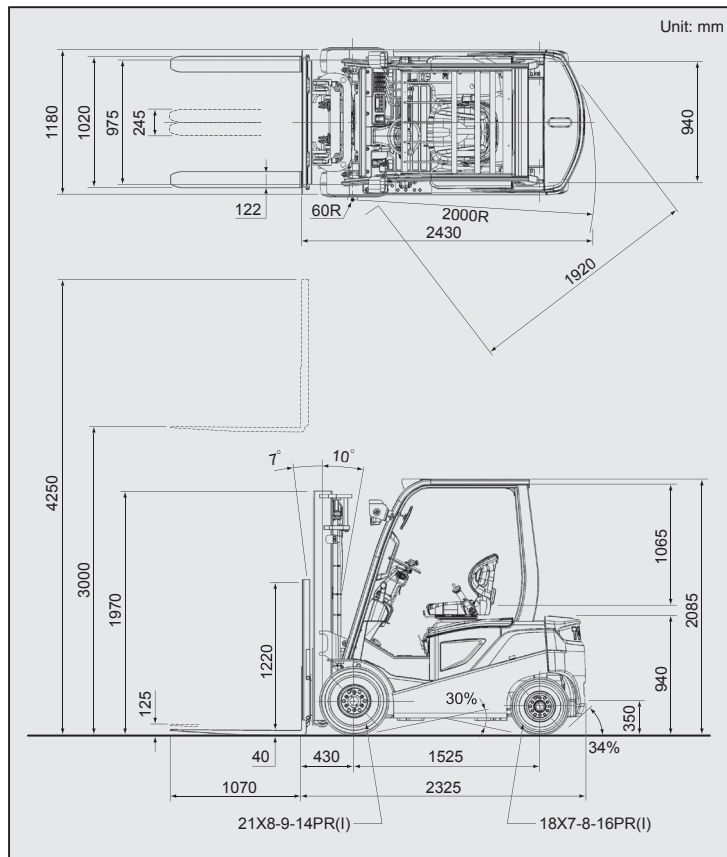
2,500 kg

MAIN VEHICLE SPECIFICATIONS

| | | | | | | | |
|------------------------|--|---|-----------------------------------|-------------------|-----------------|-------------|----|
| Characteristics | 1 | Manufacturer | | | TOYOTA | 1 | |
| | 2 | Model | | | 8FBN25 | 2 | |
| | 3 | Load Capacity | | kg | 2500 | 3 | |
| | 4 | Load Center | | mm | 500 | 4 | |
| | 5 | Power Type | | | Battery | 5 | |
| | 6 | Operator Position | | | Rider Seated | 6 | |
| | 7 | Tire Type | Front/Rear | | | Pneumatic | 7 |
| | 8 | Wheels (x = driven) | Front/Rear | | | 2x/2 | 8 |
| Dimensions | 9 | Maximum Fork Height (MFH) | | mm | 3000 | 9 | |
| | 10 | Free Lift | | mm | 125 | 10 | |
| | 13 | Fork Size | T x W x L | | mm | 40x122x1070 | 13 |
| | | Fork Spread (Outside) | | MAX./MIN. | mm | 1020/245 | |
| | 14 | Tilt Range | FWD/BWD | | deg | 7/10 | 14 |
| | 15 | Length to Fork Face | | mm | 2325 | 15 | |
| | 16 | Overall Width | | mm | 1180 | 16 | |
| | 17 | Mast Lowered Height | | mm | 1970 | 17 | |
| | 18 | Mast Extended Height | | mm | 4250 | 18 | |
| | 19 | Overhead Guard Height | | mm | 2085 | 19 | |
| | 21 | Turning Radius (Outside) | | mm | 2000 | 21 | |
| | 22 | Load Distance (Centerline of front axle to front face of forks) | | mm | 430 | 22 | |
| | | Rear Overhang | | mm | 370 | | |
| 23 | Basic Right Angle Stacking Aisle Width (Add load length and clearance) | | mm | 2430 | 23 | | |
| Performance | 24 | | Travel, Max. (FWD/RVS) | Full Load | km/h | 14.0 | 24 |
| | | | | No Load | km/h | 16.0 | |
| | 25 | Speeds | Lifting | Full Load | mm/sec | 340 | 25 |
| | | | | No Load | mm/sec | 600 | |
| | 26 | | Lowering | Full Load | mm/sec | 500 | 26 |
| | | | | No Load | mm/sec | 500 | |
| | 27 | Drawbar Pull* | Full Load/ No Load | 3-Minute Ratings | N | 10000/8900 | 27 |
| | | | | 5-Minute Ratings | N | 10000/8900 | |
| | | | | 60-Minute Ratings | N | 4500/4800 | |
| | 29 | Gradeability* | Full Load/ No Load | 3-Minute Ratings | % (tanθ) | 16.0/20.0 | 29 |
| | 5-Minute Ratings | | | % (tanθ) | 16.0/20.0 | | |
| | 30-Minute Ratings | | | % (tanθ) | 12.0/20.0 | | |
| Weight | 32 | Total Weight | Without Battery | | kg | 3080 | 32 |
| | 33 | Weight Distribution (With Min. Battery) | Full Load | Front | kg | 5680 | 33 |
| | | | | Rear | kg | 730 | |
| | 34 | | No Load | Front | kg | 1650 | 34 |
| | Rear | | | kg | 2260 | | |
| Wheels and Tires | 35 | Tires | Number | Front/Rear | | 2/2 | 35 |
| | 36 | | Size | Front | 21x8-9-14PR (I) | | 36 |
| | 37 | | | Rear | 18x7-8-16PR (I) | | 37 |
| | 38 | Wheelbase | | mm | 1525 | 38 | |
| | 39 | Tread | Front | mm | 975 | 39 | |
| | | | Rear | mm | 940 | | |
| | | Backrest Height | | mm | 1220 | | |
| | | Overhead Guard Clearance | | mm | 1065 | | |
| | | Counterweight Height | | mm | 940 | | |
| | | Drawbar Pin Center Height | | mm | 350 | | |
| | | Step Height/Floor Height | | mm | 465/615 | | |
| | 40 | Underclearance (Full load) | Min. <Mast> | mm | 75 | 40 | |
| | 41 | | Center of Wheelbase | mm | 110 | 41 | |
| | Grade Clearance | Frame/Counterweight | % (tanθ) | 30/34 | | | |
| 42 | Brake | Service (Foot) | | Hydraulic | 42 | | |
| 43 | | Parking | | Hand | 43 | | |
| Drive Unit and Control | 45 | Battery | Voltage/Capacity (5-hour ratings) | Min. | V/AH | 48/565 | 45 |
| | | | | High | V/AH | 48/725 | |
| | 46 | Weight (Min. Capacity Type) | | kg | 830 | 46 | |
| | 47 | Electric Motors | Drive | kW | 10.7 | 47 | |
| | 48 | | Load Handling/Power Steering | kW | 12.2 | 48 | |
| | 54 | Control Type | Drive | | AC inverter | 54 | |
| | Load Handling/Power Steering | | | | AC inverter | | |
| 57 | Operating Pressure | For Attachments | | Mpa | 15.7 | 57 | |

NOTE: * Computed values.

DIMENSIONAL DRAWINGS



UNDERCLEARANCE mm

| | |
|--------------------------------------|-----|
| Mast (Full Load)..... | 75 |
| Drive Axle (Full Load)..... | 85 |
| Steer Axle (No Load)..... | 115 |
| Center of Wheelbase (Full Load)..... | 110 |
| Counterweight (No Load)..... | 120 |

RATED CAPACITIES

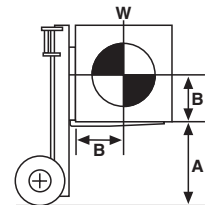
Unit: kg (W)

V Mast (PN or PSC)

| A (mm) | 3000 | 3500 | 4000 | 4500 | 5000 |
|--------|------|------|------|------|------|
| 500 | 2500 | 2500 | 2500 | 2300 | 1800 |
| 600 | 2250 | 2250 | 2250 | 2070 | 1620 |
| 700 | 2050 | 2050 | 2050 | 1890 | 1480 |
| 800 | 1890 | 1890 | 1890 | 1730 | 1360 |
| 900 | 1740 | 1740 | 1740 | 1600 | 1250 |
| 1000 | 1620 | 1620 | 1620 | 1490 | 1170 |
| 1100 | 1520 | 1520 | 1520 | 1390 | 1090 |
| 1200 | 1420 | 1420 | 1420 | 1310 | 1020 |

FV Mast (PN or PSC)

| A (mm) | 3000 | 3500 | 4000 |
|--------|------|------|------|
| 500 | 2500 | 2500 | 2500 |
| 600 | 2250 | 2250 | 2250 |
| 700 | 2050 | 2050 | 2050 |
| 800 | 1890 | 1890 | 1890 |
| 900 | 1740 | 1740 | 1740 |
| 1000 | 1620 | 1620 | 1620 |
| 1100 | 1520 | 1520 | 1520 |
| 1200 | 1420 | 1420 | 1420 |



A: Max. Fork Height
B: Load Center
W: Capacity

FSV Mast (PN or PSC)

| A (mm) | 4300 | 4500 | 4700 | 5000 | 5500 | 6000 |
|--------|------|------|------|------|------|------|
| 500 | 2300 | 2050 | 2050 | 1650 | 1250 | 1000 |
| 600 | 2080 | 1850 | 1850 | 1490 | 1130 | 900 |
| 700 | 1900 | 1690 | 1690 | 1360 | 1030 | 820 |
| 800 | 1750 | 1560 | 1560 | 1250 | 950 | 760 |
| 900 | 1620 | 1440 | 1440 | 1160 | 880 | 700 |
| 1000 | 1510 | 1340 | 1340 | 1080 | 820 | 650 |
| 1100 | 1410 | 1260 | 1260 | 1010 | 760 | 610 |
| 1200 | 1320 | 1180 | 1180 | 950 | 720 | 570 |

SPECIAL TREAD

| Front Tire (PN or PSC) | Single PSC | Single PSC |
|------------------------|------------|------------|
| Front Tire Size | 21 x 8-9 | 23 x 9-10 |
| Overall Width mm | 1180 | 1220 |
| Tread, Front mm | 980 | 990 |

MAST SPECIFICATIONS & RATED CAPACITIES

| Mast Type | Maximum Fork Height | Overall Height | | | Free Lift | | Single Tire | | | |
|--|---------------------|----------------|-----------------------|-----------------------------|-----------------------|-----------------------------|-------------|-----|----------------------------|-------------------------------|
| | | *Lowered | Extended | | Without Load Backrest | With Standard Load Backrest | Tilt Range | | Load Capacity at 500 mm LC | |
| | | | Without Load Backrest | With Standard Load Backrest | | | FWD | BWD | Pneumatic Tire | Pneumatic-Shaped Cushion Tire |
| mm | mm | mm | mm | mm | mm | deg | deg | kg | kg | |
| Wide Visible Mast (V) | 3000 | 1970 | 3705 | 4250 | 125 | 125 | 7 | 10 | 2500 | 2500 |
| | 3500 | 2220 | 4205 | 4750 | 125 | 125 | 7 | 10 | 2500 | 2500 |
| | 4000 | 2570 | 4705 | 5250 | 125 | 125 | 7 | 5 | 2500 | 2500 |
| | 4500 | 2820 | 5205 | 5750 | 125 | 125 | 7 | 5 | 2300 | 2300 |
| | 5000 | 3070 | 5705 | 6250 | 125 | 125 | 7 | 5 | 1800 | 1800 |
| Wide Visible Full-Free Lift Two-Stage Mast (FV) | 3000 | 1970 | 3640 | 4250 | *1365 | *760 | 7 | 10 | 2500 | 2500 |
| | 3500 | 2220 | 4140 | 4750 | *1615 | *1010 | 7 | 10 | 2500 | 2500 |
| | 4000 | 2570 | 4640 | 5250 | *1965 | *1360 | 7 | 5 | 2500 | 2500 |
| Wide Visible Full-Free Lift Three-Stage Mast (FSV) | 4300 | 1970 | 4980 | 5550 | *1325 | *760 | 7 | 5 | 2300 | 2300 |
| | 4500 | 2040 | 5180 | 5750 | *1395 | *830 | 7 | 5 | 2050 | 2050 |
| | 4700 | 2120 | 5380 | 5950 | *1475 | *910 | 7 | 5 | 2050 | 2050 |
| | 5000 | 2220 | 5680 | 6250 | *1575 | *1010 | 7 | 5 | 1650 | 1650 |
| | 5500 | 2380 | 6180 | 6750 | *1735 | *1170 | 7 | 5 | 1250 | 1250 |
| | 6000 | 2570 | 6680 | 7250 | *1925 | *1360 | 7 | 5 | 1000 | 1000 |

NOTE: Standard load backrest height is 1220 mm.
* With optional tire size; 23x9-10-16PR (I), plus 30 mm.

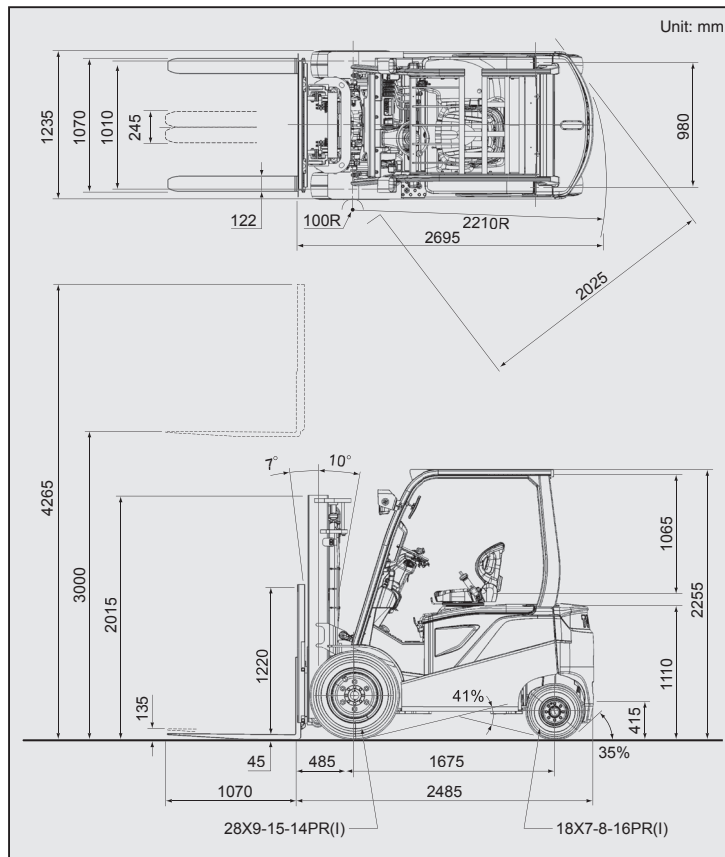
3,000 kg

MAIN VEHICLE SPECIFICATIONS

| | | | | | | | |
|------------------------|--|---|-----------------------------------|-------------------|------------------|-------------|----|
| Characteristics | 1 | Manufacturer | | | TOYOTA | 1 | |
| | 2 | Model | | | 8FBN30 | 2 | |
| | 3 | Load Capacity | | kg | 3000 | 3 | |
| | 4 | Load Center | | mm | 500 | 4 | |
| | 5 | Power Type | | | Battery | 5 | |
| | 6 | Operator Position | | | Rider Seated | 6 | |
| | 7 | Tire Type | Front/Rear | | | Pneumatic | 7 |
| | 8 | Wheels (x = driven) | Front/Rear | | | 2x/2 | 8 |
| Dimensions | 9 | Maximum Fork Height (MFH) | | mm | 3000 | 9 | |
| | 10 | Free Lift | | mm | 135 | 10 | |
| | 13 | Fork Size | T x W x L | | mm | 45x122x1070 | 13 |
| | | Fork Spread (Outside) | | MAX./MIN. | mm | 1070/245 | |
| | 14 | Tilt Range | FWD/BWD | | deg | 7/10 | 14 |
| | 15 | Length to Fork Face | | mm | 2485 | 15 | |
| | 16 | Overall Width | | mm | 1235 | 16 | |
| | 17 | Mast Lowered Height | | mm | 2015 | 17 | |
| | 18 | Mast Extended Height | | mm | 4265 | 18 | |
| | 19 | Overhead Guard Height | | mm | 2255 | 19 | |
| | 21 | Turning Radius (Outside) | | mm | 2210 | 21 | |
| | 22 | Load Distance (Centerline of front axle to front face of forks) | | mm | 485 | 22 | |
| | | Rear Overhang | | mm | 325 | | |
| 23 | Basic Right Angle Stacking Aisle Width (Add load length and clearance) | | mm | 2695 | 23 | | |
| Performance | 24 | | Travel, Max. (FWD/RVS) | Full Load | km/h | 14.0 | 24 |
| | No Load | | | km/h | 15.0 | | |
| | 25 | Speeds | Lifting | Full Load | mm/sec | 320 | 25 |
| | No Load | | | mm/sec | 550 | | |
| | 26 | | Lowering | Full Load | mm/sec | 500 | 26 |
| | No Load | | | mm/sec | 500 | | |
| | 27 | Drawbar Pull* | Full Load/ No Load | 3-Minute Ratings | N | 12200/11500 | 27 |
| | | | | 5-Minute Ratings | N | 12200/11500 | |
| | | | | 60-Minute Ratings | N | 5300/5600 | |
| | 29 | Gradeability* | Full Load/ No Load | 3-Minute Ratings | % (tanθ) | 16.0/22.0 | 29 |
| | 5-Minute Ratings | | | % (tanθ) | 16.0/22.0 | | |
| | 30-Minute Ratings | | | % (tanθ) | 11.0/19.0 | | |
| Weight | 32 | Total Weight | | Without Battery | kg | 3730 | 32 |
| | 33 | Weight Distribution (With Min. Battery) | Full Load | Front | kg | 6930 | 33 |
| | | | | Rear | kg | 810 | |
| | 34 | | No Load | Front | kg | 2170 | 34 |
| | | | | Rear | kg | 2570 | |
| Wheels and Tires | 35 | Tires | Number | Front/Rear | | 2/2 | 35 |
| | 36 | | Size | Front | 28x9-15-14PR (I) | | 36 |
| | 37 | | Rear | 18x7-8-16PR (I) | | 37 | |
| | 38 | Wheelbase | | mm | 1675 | 38 | |
| | 39 | Tread | Front | mm | 1010 | 39 | |
| | | | Rear | mm | 980 | | |
| | | Backrest Height | | mm | 1220 | | |
| | | Overhead Guard Clearance | | mm | 1065 | | |
| | | Counterweight Height | | mm | 1110 | | |
| | | Drawbar Pin Center Height | | mm | 415 | | |
| | | Step Height/Floor Height | | mm | 530/780 | | |
| | 40 | Underclearance | Min. <Mast> | mm | 125 | 40 | |
| | 41 | (Full load) | Center of Wheelbase | mm | 165 | 41 | |
| | | Grade Clearance | Frame/Counterweight | % (tanθ) | 41/35 | | |
| | 42 | Brake | Service (Foot) | | Hydraulic | 42 | |
| 43 | Parking | | | Hand | 43 | | |
| Drive Unit and Control | 45 | Battery | Voltage/Capacity (5-hour ratings) | Min. | V/AH | 80/370 | 45 |
| | | | | High | V/AH | 80/480 | |
| | 46 | Weight (Min. Capacity Type) | | kg | 1010 | 46 | |
| | 47 | Electric Motors | Drive | kW | 11.9 | 47 | |
| | 48 | | Load Handling/Power Steering | kW | 14.4 | 48 | |
| | 54 | Control Type | Drive | | AC inverter | 54 | |
| | Load Handling/Power Steering | | | | AC inverter | | |
| 57 | Operating Pressure | For Attachments | Mpa | 15.7 | 57 | | |

NOTE: * Computed values.

DIMENSIONAL DRAWINGS



UNDERCLEARANCE mm

| | |
|--------------------------------------|-----|
| Mast (Full Load)..... | 125 |
| Drive Axle (Full Load)..... | 160 |
| Steer Axle (No Load)..... | 115 |
| Center of Wheelbase (Full Load)..... | 165 |
| Counterweight (No Load)..... | 120 |

RATED CAPACITIES

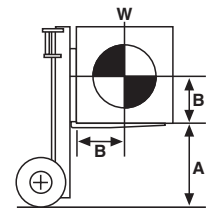
Unit: kg (W)

V Mast (PN or PSC)

| A (mm) | 3000 | 3500 | 4000 | 4500 | 5000 |
|--------|------|------|------|------|------|
| 500 | 3000 | 3000 | 3000 | 2850 | 2350 |
| 600 | 2720 | 2720 | 2720 | 2580 | 2130 |
| 700 | 2490 | 2490 | 2490 | 2360 | 1950 |
| 800 | 2290 | 2290 | 2290 | 2180 | 1800 |
| 900 | 2130 | 2130 | 2130 | 2020 | 1670 |
| 1000 | 1980 | 1980 | 1980 | 1890 | 1550 |
| 1100 | 1860 | 1860 | 1860 | 1770 | 1460 |
| 1200 | 1750 | 1750 | 1750 | 1660 | 1370 |

FV Mast (PN or PSC)

| A (mm) | 3000 | 3500 |
|--------|------|------|
| 500 | 3000 | 3000 |
| 600 | 2720 | 2720 |
| 700 | 2490 | 2490 |
| 800 | 2290 | 2290 |
| 900 | 2130 | 2130 |
| 1000 | 1980 | 1980 |
| 1100 | 1860 | 1860 |
| 1200 | 1750 | 1750 |



A: Max. Fork Height
B: Load Center
W: Capacity

FSV Mast (PN or PSC)

| A (mm) | 4300 | 4500 | 4700 | 5000 | 5500 | 6000 |
|--------|------|------|------|------|------|------|
| 500 | 3000 | 2800 | 2800 | 2400 | 1900 | 1450 |
| 600 | 2720 | 2540 | 2540 | 2180 | 1720 | 1310 |
| 700 | 2490 | 2330 | 2330 | 1990 | 1580 | 1200 |
| 800 | 2300 | 2150 | 2150 | 1840 | 1450 | 1110 |
| 900 | 2130 | 1990 | 1990 | 1710 | 1350 | 1030 |
| 1000 | 1990 | 1860 | 1860 | 1590 | 1260 | 960 |
| 1100 | 1870 | 1740 | 1740 | 1490 | 1180 | 900 |
| 1200 | 1760 | 1640 | 1640 | 1400 | 1110 | 850 |

SPECIAL TREAD

| | |
|------------------------|------------|
| Front Tire (PN or PSC) | Single PSC |
| Front Tire Size | 28 x 9-15 |
| Overall Width mm | 1240 |
| Tread, Front mm | 1010 |

MAST SPECIFICATIONS & RATED CAPACITIES

| Mast Type | Maximum Fork Height | Overall Height | | | Free Lift | | Single Tire | | | |
|--|---------------------|----------------|-----------------------|-----------------------------|-----------------------|-----------------------------|-------------|------|----------------------------|-------------------------------|
| | | Lowered | Extended | | Without Load Backrest | With Standard Load Backrest | Tilt Range | | Load Capacity at 500 mm LC | |
| | | | Without Load Backrest | With Standard Load Backrest | | | FWD | BWD | Pneumatic Tire | Pneumatic-Shaped Cushion Tire |
| mm | mm | mm | mm | mm | mm | deg | deg | kg | kg | |
| Wide Visible Mast (V) | 3000 | 2015 | 3765 | 4265 | 135 | 135 | 7 | 10 | 3000 | 3000 |
| | 3500 | 2265 | 4265 | 4765 | 135 | 135 | 7 | 10 | 3000 | 3000 |
| | 4000 | 2615 | 4765 | 5265 | 135 | 135 | 7 | 10 | 3000 | 3000 |
| | 4500 | 2865 | 5265 | 5765 | 135 | 135 | 7 | 5 | 2850 | 2850 |
| | 5000 | 3115 | 5765 | 6265 | 135 | 135 | 7 | 5 | 2350 | 2350 |
| Wide Visible Full-Free Lift Two-Stage Mast (FV) | 3000 | 2015 | 3660 | 4265 | 1400 | 795 | 7 | 10 | 3000 | 3000 |
| | 3500 | 2265 | 4160 | 4765 | 1650 | 1045 | 7 | 10 | 3000 | 3000 |
| Wide Visible Full-Free Lift Three-Stage Mast (FSV) | 4300 | 2165 | 4960 | 5565 | 1550 | 945 | 7 | 5 | 3000 | 3000 |
| | 4500 | 2215 | 5160 | 5765 | 1600 | 995 | 7 | 5 | 2800 | 2800 |
| | 4700 | 2265 | 5360 | 5965 | 1650 | 1045 | 7 | 5 | 2800 | 2800 |
| | 5000 | 2425 | 5660 | 6265 | 1810 | 1205 | 7 | 5 | 2400 | 2400 |
| | 5500 | 2615 | 6160 | 6765 | 2000 | 1395 | 7 | 5 | 1900 | 1900 |
| 6000 | 2865 | 6660 | 7265 | 2250 | 1645 | 7 | 5 | 1450 | 1450 | |

NOTE: Standard load backrest height is 1220 mm.

STANDARD EQUIPMENT

8FBN15. 18. 20. 25. 30

- Wide Visible Mast (V) [MFH:3000 mm]
- Load backrest (V and FSV masts) [Height: 1220 mm]
- Easy-down system (V mast)
- Operator Presence Sensing System (OPS)
- Emergency power shutdown button
- High-mount rear axle
- Display
(Battery capacity indicator, Power-select function indicator, OPS indicator, Overheat warning, Parking brake warning indicator, Hour meter, Battery overdischarge warning, Battery remaining-charge warning, Parking brake on/off alarm, Return-to-neutral warning, Digital diagnosis)
- Power select function
- Power keep function
- Auto power-off function
- Anti-rollback
- Headlights
- LED rear combination lights
- ORS seat
- Seat belt
- Memory tilt steering column
- Self-stowing parking brake
- Full hydraulic power steering
- Battery hood damper
- Electric horn
- Floor mat
- Storage area
- Large assist grip
- Overhead guard
- Drawbar pin
- Document clip

Availability and specifications are determined by market and are subject to change without notice.
Please consult your Toyota representative for details.

All rights reserved by Toyota Industries Corporation.



TOYOTA MATERIAL HANDLING INTERNATIONAL

S.S.8FBN15-30 (E)/E-1709/©/Printed in Japan/No.720720E0/5,000