

7FB15

MAIN VEHICLE SPECIFICATIONS

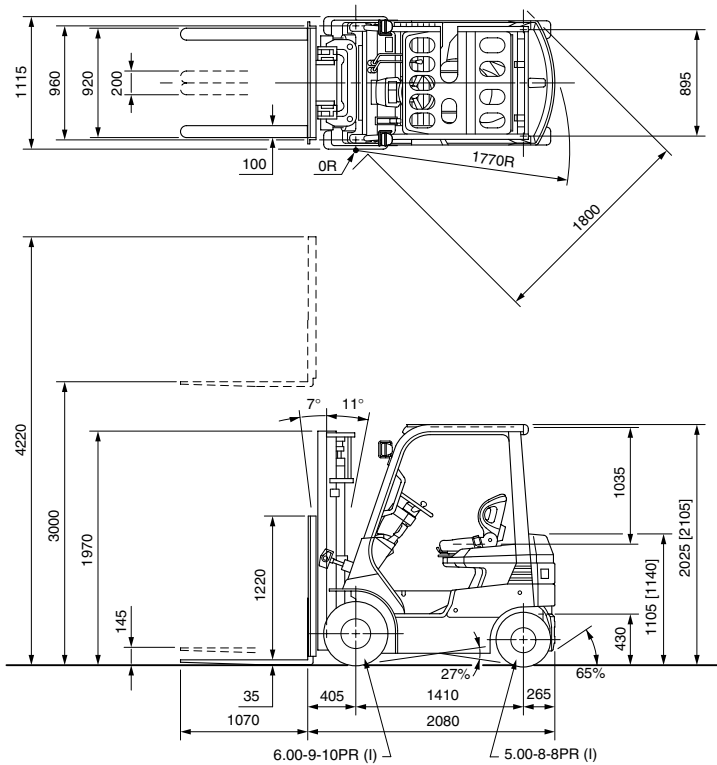
| | | | | | | | | |
|----|--|----------------------------------|-------------------|------------|---------------------|---------------------|---------------------|-------------|
| 1 | Manufacturer | | | | TOYOTA | TOYOTA | TOYOTA | |
| 2 | Model | | | | 7FB15 | 7FBH15 | 40-7FB15 | |
| 3 | Load Capacity | | | kg | 1500 | 1500 | 1500 | |
| 4 | Load Center | | | mm | 500 | 500 | 500 | |
| 5 | Power Type | | | | Battery | Battery | Battery | |
| 6 | Operator Position | | | | Rider Seated | Rider Seated | Rider Seated | |
| 7 | Tire Type | | | Front/Rear | Pneumatic | Pneumatic | Pneumatic | |
| 8 | Wheels (x = driven) | | | Front/Rear | 2x/2 | 2x/2 | 2x/2 | |
| 9 | Maximum Fork Height (MFH) | | | mm | 3000 | 3000 | 3000 | |
| 10 | Free Lift | | | mm | 145 | 145 | 125 | |
| 13 | Fork Size | | | T x W x L | mm | 35x100x1070 | 35x100x1070 | 35x100x1070 |
| | Fork Spread (Outside) | | | MAX./MIN. | mm | 920/200 | 920/200 | 920/200 |
| 14 | Tilt Range | | | FWD/BWD | deg | 7/11 | 7/11 | 7/11 |
| 15 | Length to Fork Face | | | | mm | 2080 | 2080 | 2216 |
| 16 | Overall Width | | | | mm | 1115 | 1115 | 1160 |
| 17 | Mast Lowered Height | | | | mm | 1970 | 1970 | 1975 |
| 18 | Mast Extended Height | | | | mm | 4220 | 4220 | 4220 |
| 19 | Overhead Guard Height | | | | mm | 2025 | 2105 | 2105 |
| 21 | Turning Radius (Outside) | | | | mm | 1770 | 1770 | 1980 |
| 22 | Load Distance (Centerline of front axle to front face of forks) | | | | mm | 405 | 405 | 415 |
| | Rear Overhang | | | | mm | 265 | 265 | 300 |
| 23 | Basic Right Angle Stacking Aisle Width (Add load length and clearance) | | | | mm | 2175 | 2175 | 2395 |
| 24 | Speeds | Travel, Max. (FWD/RVS) | Full Load | km/h | 14.5/14.5 | 14.5/14.5 | 14/14 | |
| | | | No Load | km/h | 17/17 | 17/17 | 16/16 | |
| | | Lifting | Full Load | mm/sec | 420 | 420 | 380 | |
| | | | No Load | mm/sec | 650 | 650 | 600 | |
| 26 | Lowering | Full Load | mm/sec | 500 | 500 | 500 | | |
| | | No Load | mm/sec | 550 | 550 | 500 | | |
| 27 | Drawbar Pull * | Full Load/No Load | 3-Minute Ratings | N | 7850/7550 | 7850/7550 | 10300/9320 | |
| | | | 5-Minute Ratings | N | 7850/7550 | 7850/7550 | 10300/9320 | |
| | | | 60-Minute Ratings | N | 2750/2750 | 2750/2750 | 4710/4900 | |
| 29 | Gradeability * | Full Load/No Load | 3-Minute Ratings | % (tanθ) | 19/25 | 19/25 | 22/25 | |
| | | | 5-Minute Ratings | % (tanθ) | 19/25 | 19/25 | 22/25 | |
| | | | 30-Minute Ratings | % (tanθ) | 12/19 | 12/19 | 17/25 | |
| 32 | Total Weight | Without Battery | | kg | 2220 | 2240 | 2620 | |
| 33 | Weight Distribution (With STD Battery) | Full Load | Front | kg | 3890 | 3970 | 4150 | |
| | | | Rear | kg | 500 | 590 | 850 | |
| 34 | | No Load | Front | kg | 1430 | 1510 | 1730 | |
| | | | Rear | kg | 1460 | 1550 | 1770 | |
| 35 | | Number | Front/Rear | | 2/2 | 2/2 | 2/2 | |
| 36 | Tires | Size | Front | | 6.00-9-10PR (I) | 6.00-9-10PR (I) | 21x8-9-14PR (I) | |
| 37 | | | Rear | | 5.00-8-8PR (I) | 5.00-8-8PR (I) | 18x7-8-14PR (I) | |
| 38 | Wheelbase | | | mm | 1410 | 1410 | 1500 | |
| 39 | Tread | Front | | mm | 960 | 960 | 970 | |
| | | Rear | | mm | 895 | 895 | 940 | |
| | Backrest Height | | | mm | 1220 | 1220 | 1220 | |
| | Overhead Guard Clearance | | | mm | 1035 | 1035 | 1035 | |
| | Counterweight Height | | | mm | 1105 | 1140 | 1135 | |
| | Drawbar Pin Center Height | | | mm | 430 | 430 | 280 | |
| | Step Height (Left-Right)/Floor Height | | | mm | (430-460)/615 | (430-460)/695 | (435-465)/700 | |
| 40 | Underclearance (Full Load) | Min. <Mast> | | mm | 65 | 65 | 75 | |
| 41 | Grade Clearance | Center of Wheelbase | | mm | 85 | 85 | 90 | |
| | | Frame/Counterweight | | % (tanθ) | 27/65 | 27/65 | 25/63 | |
| 42 | Brake | Service (Foot) | | | Hydraulic | Hydraulic | Hydraulic | |
| 43 | | Parking | | | Hand | Hand | Hand | |
| 45 | Battery | Voltage/Capacity (5-hour rating) | STD | V/AH | 48/400 | 48/545 | 48/600 | |
| 46 | | | High | V/AH | 48/485 | — | 48/730 | |
| 47 | | Weight (STD Capacity Type) | | kg | 670 | 820 | 885 | |
| 48 | Electric Motors | Drive | | kW | 7.6 | 7.6 | 10.7 | |
| | | Load Handling | | kW | 9.5 | 9.5 | 12.2 | |
| | | Power Steering | | kW | 0.9 | 0.9 | 0.9 | |
| 54 | Control Type | Drive | | | Transistor inverter | Transistor inverter | Transistor inverter | |
| | | Load Handling | | | Transistor inverter | Transistor inverter | Transistor inverter | |
| | | Power Steering | | | Transistor chopper | Transistor chopper | Transistor chopper | |
| 57 | Operating Pressure For Attachments | | | Mpa (psi) | 11.8 (1700) | 11.8 (1700) | 14.7 (2100) | |

NOTE: * Computed values.

DIMENSIONAL DRAWINGS

7FB15/7FBH15

Unit: mm



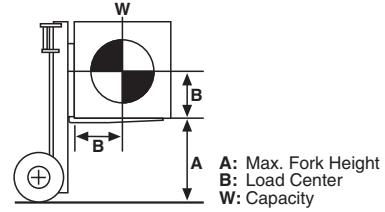
UNDERCLEARANCE

| | |
|---------------------------------------|-----|
| Mast (Full Load)..... | 65 |
| Drive Axle (Full Load)..... | 65 |
| Steer Axle (No Load) | 125 |
| Center of Wheelbase (Full Load) | 85 |
| Counterweight (No Load)..... | 120 |

NOTE: [] for 7FBH15

RATED CAPACITIES

7FB15/7FBH15



V, SV, FV Mast Unit: kg (W)

| A (mm) | 4000 | 4500 | 5000 |
|--------|------|------|----------------|
| 500 | 1500 | 1450 | 1350 [1400] |
| 600 | 1350 | 1300 | 1210 [1260] |
| 700 | 1220 | 1180 | 1100 [1140] |
| 800 | 1120 | 1080 | 1010 [1050] |
| 900 | 1040 | 1000 | 930 [970] |
| 1000 | 960 | 930 | 860 [900] |

[] for dual tire models.

FSV Mast Unit: kg (W)

| A (mm) | 4300 | 4700 | 5000 | 5500 | 6000 |
|--------|------|------|----------------|----------------|---------------|
| 500 | 1400 | 1350 | 1200 [1300] | 1100 [1250] | 900 [1100] |
| 600 | 1260 | 1210 | 1080 [1170] | 990 [1120] | 810 [990] |
| 700 | 1150 | 1100 | 980 [1060] | 900 [1020] | 730 [900] |
| 800 | 1050 | 1010 | 900 [980] | 830 [940] | 670 [830] |
| 900 | 970 | 940 | 830 [900] | 760 [870] | 620 [760] |
| 1000 | 900 | 870 | 770 [840] | 710 [810] | 580 [710] |

[] for dual tire models.

SPECIAL TREAD

| Model | 7FB15/7FBH15 | | | | | |
|-----------------|--------------|-----------------|-----------------|------------------|-----------------|-----------------|
| Front Tire | Single/Dual | Single | Single | Single | Dual | Dual |
| Front Tire Size | | 6.00-9-10PR (I) | 21x8-9-10PR (I) | 6.50-10-12PR (I) | 4.50-12-8PR (I) | 6.00-9-10PR (I) |
| Overall Width | mm | 1115 | 1115 | 1115 | 1295 | 1435 |
| Tread, Front | mm | 960 | 920 | 940 | 1010 | 1085 |

SPECIAL MAST

Wide Visible Mast (V, SV), Wide Visible Full-Free Lift Two-Stage Mast (FV), Wide Visible Full-Free Lift Three-Stage Mast (FSV)

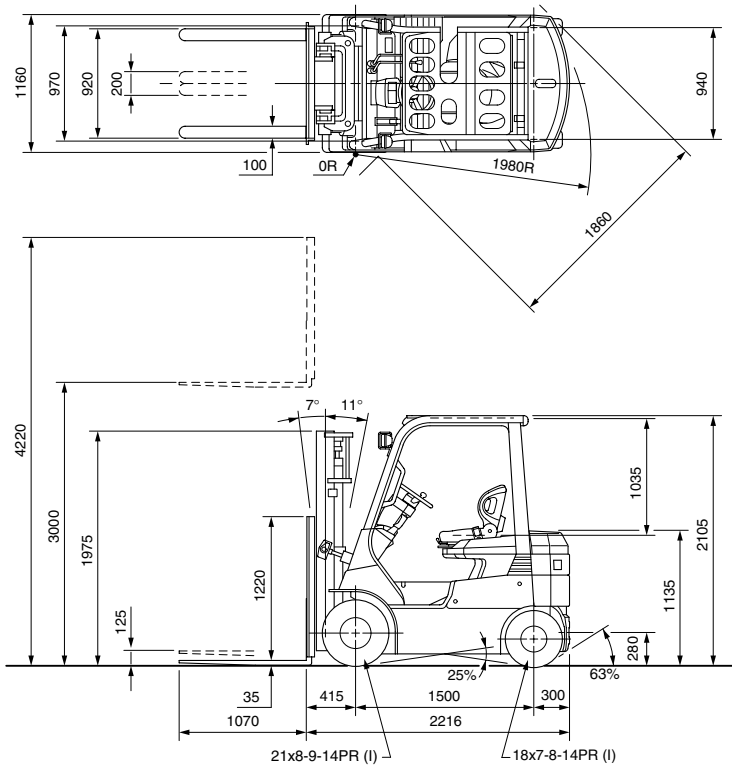
| Model | | 7FB15/7FBH15 | | | | | | | | | | |
|--|----------|--------------|--------|-----|-----|-----|-----|-----|-----|-----|-----|-----|
| Type of Mast | | V, SV | | | FV | | | FSV | | | | |
| PERFORMANCE | | | | | | | | | | | | |
| Power Mode | | H | P | S | H | P | S | H | P | S | | |
| Speeds | Lifting | Full Load | mm/sec | 420 | 320 | 320 | 390 | 300 | 300 | 390 | 300 | 300 |
| | | No Load | mm/sec | 650 | 560 | 560 | 590 | 510 | 510 | 590 | 510 | 510 |
| | Lowering | Full Load | mm/sec | 500 | 500 | 500 | 480 | 480 | 480 | 480 | 480 | 480 |
| | | No Load | mm/sec | 550 | 550 | 550 | 420 | 420 | 420 | 450 | 450 | 450 |
| DIMENSIONS | | | | | | | | | | | | |
| Load Distance (Centerline of front axle to front face of forks) | | mm | 405 | | | 405 | | | 425 | | | |

NOTE: H High power mode.
P Power mode.
S Standard mode.

DIMENSIONAL DRAWINGS

40-7FB15

Unit: mm



UNDERCLEARANCE

| | |
|---------------------------------|-----|
| Mast (Full Load) | 75 |
| Drive Axle (Full Load) | 75 |
| Steer Axle (No Load) | 120 |
| Center of Wheelbase (Full Load) | 90 |
| Counterweight (No Load) | 115 |

SPECIAL TREAD

| Model | | 40-7FB15 | | |
|-----------------|-------------|-----------------|------------------|-----------------|
| Front Tire | Single/Dual | Single | Single | Dual |
| Front Tire Size | | 21x8-9-14PR (I) | 23x9-10-16PR (I) | 6.00-9-10PR (I) |
| Overall Width | mm | 1160 | 1220 | 1480 |
| Tread, Front | mm | 970 | 990 | 1130 |

SPECIAL MAST

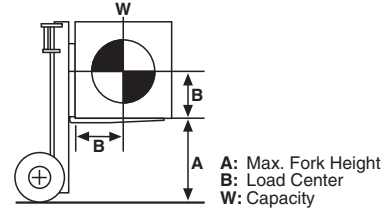
Wide Visible Mast (V, SV), Wide Visible Full-Free Lift Two-Stage Mast (FV), Wide Visible Full-Free Lift Three-Stage Mast (FSV)

| Model | | 40-7FB15 | | | | | | | | | | |
|--|----------|-----------|--------|-----|-----|-----|-----|-----|-----|-----|-----|-----|
| Type of Mast | | V, SV | | | FV | | | FSV | | | | |
| PERFORMANCE | | | | | | | | | | | | |
| Power Mode | | | | | | | | | | | | |
| Speeds | Lifting | Full Load | mm/sec | H | P | S | H | P | S | H | P | S |
| | | No Load | mm/sec | 380 | 280 | 280 | 350 | 260 | 260 | 350 | 260 | 260 |
| | Lowering | Full Load | mm/sec | 600 | 500 | 500 | 500 | 420 | 420 | 500 | 420 | 420 |
| | | No Load | mm/sec | 500 | 500 | 500 | 480 | 480 | 480 | 480 | 480 | 480 |
| DIMENSIONS | | | | | | | | | | | | |
| Load Distance (Centerline of front axle to front face of forks) | | mm | 415 | | | 415 | | | 445 | | | |

NOTE: H High power mode.
P Power mode.
S Standard mode.

RATED CAPACITIES

40-7FB15



V, SV, FV Mast Unit: kg (W)

| A (mm) | 4000 | 4500 | 5000 |
|--------|------|------|----------------|
| 500 | 1500 | 1450 | 1350 [1400] |
| 600 | 1350 | 1300 | 1210 [1260] |
| 700 | 1230 | 1190 | 1100 [1140] |
| 800 | 1120 | 1090 | 1010 [1050] |
| 900 | 1040 | 1000 | 930 [970] |
| 1000 | 970 | 930 | 870 [900] |

[] for dual tire models.

FSV Mast Unit: kg (W)

| A (mm) | 4300 | 4700 | 5000 | 5500 | 6000 |
|--------|------|------|----------------|----------------|---------------|
| 500 | 1400 | 1350 | 1200 [1300] | 1100 [1250] | 900 [1100] |
| 600 | 1260 | 1220 | 1080 [1170] | 990 [1130] | 810 [990] |
| 700 | 1150 | 1110 | 990 [1070] | 900 [1030] | 740 [900] |
| 800 | 1060 | 1020 | 910 [980] | 830 [940] | 680 [830] |
| 900 | 980 | 940 | 840 [910] | 770 [870] | 630 [770] |
| 1000 | 910 | 880 | 780 [840] | 710 [810] | 580 [710] |

[] for dual tire models.

MAST SPECIFICATIONS & RATED CAPACITIES

Wide Visible Mast (V), Wide Visible Mast (SV), Wide Visible Full-Free Lift Two-Stage Mast (FV), Wide Visible Full-Free Lift Three-Stage Mast (FSV)
7FB15/7FBH15

| Mast Type | Maximum Fork Height | Overall Height | | | | Free Lift | | Single Tire | | | Dual Tire | | |
|-----------|---------------------|----------------|-----------------------|-----------------------------|-----------------------|-----------------------------|------------|-------------|----------------------------|------------|-----------|----------------------------|------|
| | | * Lowered | Extended | | Without Load Backrest | With Standard Load Backrest | Tilt Range | | Load Capacity at 500 mm LC | Tilt Range | | Load Capacity at 500 mm LC | |
| | | | Without Load Backrest | With Standard Load Backrest | | | FWD | BWD | | FWD | BWD | | |
| mm | mm | mm | mm | mm | mm | deg | deg | kg | deg | deg | kg | | |
| V | 2000 | 1470 | 2605 | 3220 | 145 | 145 | 7 | 9 | 1500 | 7 | 9 | 1500 | |
| | 2500 | 1720 | 3105 | 3720 | 145 | 145 | 7 | 11 | 1500 | 7 | 11 | 1500 | |
| | 2700 | 1820 | 3305 | 3920 | 145 | 145 | 7 | 11 | 1500 | 7 | 11 | 1500 | |
| | 3000 | 1970 | 3605 | 4220 | 145 | 145 | 7 | 11 | 1500 | 7 | 11 | 1500 | |
| | 3300 | 2120 | 3905 | 4520 | 145 | 145 | 7 | 11 | 1500 | 7 | 11 | 1500 | |
| | 3500 | 2220 | 4105 | 4720 | 145 | 145 | 7 | 11 | 1500 | 7 | 11 | 1500 | |
| | 3700 | 2380 | 4305 | 4920 | 145 | 145 | 7 | 11 | 1500 | 7 | 11 | 1500 | |
| | 4000 | 2570 | 4605 | 5220 | 145 | 145 | 7 | 11 | 1500 | 7 | 11 | 1500 | |
| | 4500 | 2820 | 5105 | 5720 | 145 | 145 | 7 | 5 | 1450 | 7 | 5 | 1450 | |
| | 5000 | 3070 | 5605 | 6220 | 145 | 145 | 7 | 5 | 1350 | 7 | 5 | 1400 | |
| SV | 2000 | 1470 | 2640 | 3220 | 385 | 385 | 7 | 9 | 1500 | 7 | 9 | 1500 | |
| | 2500 | 1720 | 3140 | 3720 | 385 | 385 | 7 | 11 | 1500 | 7 | 11 | 1500 | |
| | 2700 | 1820 | 3340 | 3920 | 385 | 385 | 7 | 11 | 1500 | 7 | 11 | 1500 | |
| | 3000 | 1970 | 3640 | 4220 | 385 | 385 | 7 | 11 | 1500 | 7 | 11 | 1500 | |
| | 3300 | 2120 | 3940 | 4520 | 385 | 385 | 7 | 11 | 1500 | 7 | 11 | 1500 | |
| | 3500 | 2220 | 4140 | 4720 | 385 | 385 | 7 | 11 | 1500 | 7 | 11 | 1500 | |
| | 3700 | 2380 | 4340 | 4920 | 385 | 385 | 7 | 11 | 1500 | 7 | 11 | 1500 | |
| | 4000 | 2570 | 4640 | 5220 | 385 | 385 | 7 | 11 | 1500 | 7 | 11 | 1500 | |
| | 4500 | 2820 | 5140 | 5720 | 385 | 385 | 7 | 5 | 1450 | 7 | 5 | 1450 | |
| | 5000 | 3070 | 5640 | 6220 | 385 | 385 | 7 | 5 | 1350 | 7 | 5 | 1400 | |
| FV | 2000 | 1470 | 2565 | 3220 | 905* | 250* | 7 | 9 | 1500 | 7 | 9 | 1500 | |
| | 2500 | 1720 | 3065 | 3720 | 1155* | 500* | 7 | 11 | 1500 | 7 | 11 | 1500 | |
| | 2700 | 1820 | 3265 | 3920 | 1255* | 600* | 7 | 11 | 1500 | 7 | 11 | 1500 | |
| | 3000 | 1970 | 3565 | 4220 | 1405* | 750* | 7 | 11 | 1500 | 7 | 11 | 1500 | |
| | 3300 | 2120 | 3865 | 4520 | 1555* | 900* | 7 | 11 | 1500 | 7 | 11 | 1500 | |
| | 3500 | 2220 | 4065 | 4720 | 1655* | 1000* | 7 | 11 | 1500 | 7 | 11 | 1500 | |
| | 3700 | 2380 | 4265 | 4920 | 1815* | 1160* | 7 | 11 | 1500 | 7 | 11 | 1500 | |
| | 4000 | 2570 | 4565 | 5220 | 2005* | 1350* | 7 | 11 | 1500 | 7 | 11 | 1500 | |
| | FSV | 3700 | 1770 | 4240 | 4920 | 1235* | 550* | 7 | 5 | 1400 | 7 | 5 | 1400 |
| | | 4000 | 1870 | 4540 | 5220 | 1335* | 650* | 7 | 5 | 1400 | 7 | 5 | 1400 |
| 4300 | | 1970 | 4840 | 5520 | 1435* | 750* | 7 | 5 | 1400 | 7 | 5 | 1400 | |
| 4500 | | 2040 | 5040 | 5720 | 1505* | 820* | 7 | 5 | 1350 | 7 | 5 | 1350 | |
| 4700 | | 2120 | 5240 | 5920 | 1585* | 900* | 7 | 5 | 1350 | 7 | 5 | 1350 | |
| 5000 | | 2220 | 5540 | 6220 | 1685* | 1000* | 7 | 5 | 1200 | 7 | 5 | 1300 | |
| 5500 | | 2380 | 6040 | 6720 | 1845* | 1160* | 7 | 5 | 1100 | 7 | 5 | 1250 | |
| 6000 | | 2570 | 6540 | 7220 | 2035* | 1350* | 7 | 5 | 900 | 7 | 5 | 1100 | |

NOTE: Height of standard load backrest is 1220 mm.
* with optional tire size; 6.50-10-12PR (I), plus 25 mm.

40-7FB15

| Mast Type | Maximum Fork Height | Overall Height | | | | Free Lift | | Single Tire | | | Dual Tire | | |
|-----------|---------------------|----------------|-----------------------|-----------------------------|-----------------------|-----------------------------|------------|-------------|----------------------------|------------|-----------|----------------------------|--|
| | | * Lowered | Extended | | Without Load Backrest | With Standard Load Backrest | Tilt Range | | Load Capacity at 500 mm LC | Tilt Range | | Load Capacity at 500 mm LC | |
| | | | Without Load Backrest | With Standard Load Backrest | | | FWD | BWD | | FWD | BWD | | |
| mm | mm | mm | mm | mm | mm | deg | deg | kg | deg | deg | kg | | |
| V | 2000 | 1475 | 2670 | 3220 | 125 | 125 | 7 | 9 | 1500 | 7 | 9 | 1500 | |
| | 2500 | 1725 | 3170 | 3720 | 125 | 125 | 7 | 11 | 1500 | 7 | 11 | 1500 | |
| | 2700 | 1825 | 3370 | 3920 | 125 | 125 | 7 | 11 | 1500 | 7 | 11 | 1500 | |
| | 3000 | 1975 | 3670 | 4220 | 125 | 125 | 7 | 11 | 1500 | 7 | 11 | 1500 | |
| | 3300 | 2125 | 3970 | 4520 | 125 | 125 | 7 | 11 | 1500 | 7 | 11 | 1500 | |
| | 3500 | 2225 | 4170 | 4720 | 125 | 125 | 7 | 11 | 1500 | 7 | 11 | 1500 | |
| | 3700 | 2385 | 4370 | 4920 | 125 | 125 | 7 | 11 | 1500 | 7 | 11 | 1500 | |
| | 4000 | 2575 | 4670 | 5220 | 125 | 125 | 7 | 11 | 1500 | 7 | 11 | 1500 | |
| | 4500 | 2825 | 5170 | 5720 | 125 | 125 | 7 | 5 | 1450 | 7 | 5 | 1450 | |
| | 5000 | 3075 | 5670 | 6220 | 125 | 125 | 7 | 5 | 1350 | 7 | 5 | 1400 | |
| SV | 2000 | 1475 | 2695 | 3220 | 375 | 375 | 7 | 9 | 1500 | 7 | 9 | 1500 | |
| | 2500 | 1725 | 3195 | 3720 | 375 | 375 | 7 | 11 | 1500 | 7 | 11 | 1500 | |
| | 2700 | 1825 | 3395 | 3920 | 375 | 375 | 7 | 11 | 1500 | 7 | 11 | 1500 | |
| | 3000 | 1975 | 3695 | 4220 | 375 | 375 | 7 | 11 | 1500 | 7 | 11 | 1500 | |
| | 3300 | 2125 | 3995 | 4520 | 375 | 375 | 7 | 11 | 1500 | 7 | 11 | 1500 | |
| | 3500 | 2225 | 4195 | 4720 | 375 | 375 | 7 | 11 | 1500 | 7 | 11 | 1500 | |
| | 3700 | 2385 | 4395 | 4920 | 375 | 375 | 7 | 11 | 1500 | 7 | 11 | 1500 | |
| | 4000 | 2575 | 4695 | 5220 | 375 | 375 | 7 | 11 | 1500 | 7 | 11 | 1500 | |
| | 4500 | 2825 | 5195 | 5720 | 375 | 375 | 7 | 5 | 1450 | 7 | 5 | 1450 | |
| | 5000 | 3075 | 5695 | 6220 | 375 | 375 | 7 | 5 | 1350 | 7 | 5 | 1400 | |
| FV | 2000 | 1475 | 2605 | 3220 | 870* | 255* | 7 | 9 | 1500 | 7 | 9 | 1500 | |
| | 2500 | 1725 | 3105 | 3720 | 1120* | 505* | 7 | 11 | 1500 | 7 | 11 | 1500 | |
| | 2700 | 1825 | 3305 | 3920 | 1220* | 605* | 7 | 11 | 1500 | 7 | 11 | 1500 | |
| | 3000 | 1975 | 3605 | 4220 | 1370* | 755* | 7 | 11 | 1500 | 7 | 11 | 1500 | |
| | 3300 | 2125 | 3905 | 4520 | 1520* | 905* | 7 | 11 | 1500 | 7 | 11 | 1500 | |
| | 3500 | 2225 | 4105 | 4720 | 1620* | 1005* | 7 | 11 | 1500 | 7 | 11 | 1500 | |
| | 3700 | 2385 | 4305 | 4920 | 1780* | 1165* | 7 | 11 | 1500 | 7 | 11 | 1500 | |
| 4000 | 2575 | 4605 | 5220 | 1970* | 1355* | 7 | 11 | 1500 | 7 | 11 | 1500 | | |
| FSV | 3700 | 1775 | 4345 | 4920 | 1130* | 555* | 7 | 5 | 1400 | 7 | 5 | 1400 | |
| | 4000 | 1875 | 4645 | 5220 | 1230* | 655* | 7 | 5 | 1400 | 7 | 5 | 1400 | |
| | 4300 | 1975 | 4945 | 5520 | 1330* | 755* | 7 | 5 | 1400 | 7 | 5 | 1400 | |
| | 4500 | 2045 | 5145 | 5720 | 1400* | 825* | 7 | 5 | 1350 | 7 | 5 | 1350 | |
| | 4700 | 2125 | 5345 | 5920 | 1480* | 905* | 7 | 5 | 1350 | 7 | 5 | 1350 | |
| | 5000 | 2225 | 5645 | 6220 | 1580* | 1005* | 7 | 5 | 1200 | 7 | 5 | 1300 | |
| | 5500 | 2385 | 6145 | 6720 | 1740* | 1165* | 7 | 5 | 1100 | 7 | 5 | 1250 | |
| | 6000 | 2575 | 6645 | 7220 | 1930* | 1355* | 7 | 5 | 900 | 7 | 5 | 1100 | |

NOTE: Height of standard load backrest is 1220 mm.
* with optional tire size; 23x9-10-16PR (I), plus 20 mm.