

8FG25 8FD25

MAIN VEHICLE SPECIFICATIONS

				TOYOTA		TOYOTA		TOYOTA	
				30-8FG25	32-8FG25	60-8FD25	62-8FD25	70-8FD25	72-8FD25
1	Manufacturer			TOYOTA		TOYOTA		TOYOTA	
2	Model								
3	Load Capacity	kg		2500		2500		2500	
4	Load Center	mm		500		500		500	
5	Power Type			Gasoline		Diesel		Diesel	
6	Operator Position			Rider Seated		Rider Seated		Rider Seated	
7	Tire Type	Front/Rear		Pneumatic		Pneumatic		Pneumatic	
8	Wheels (x = driven)	Front/Rear		2x/2		2x/2		2x/2	
9	Maximum Fork Height (MFH)	mm		3000		3000		3000	
10	Free Lift	mm		155		155		155	
13	Fork Size	T x W x L	mm	42x120x1070		42x120x1070		42x120x1070	
	Fork Spread (Outside)	MAX./MIN.	mm	1020/240		1020/240		1020/240	
14	Tilt Range	FWD/BWD	deg	6/11		6/11		6/11	
15	Length to Fork Face	mm		2635		2635		2635	
16	Overall Width	mm		1150		1150		1150	
17	Mast Lowered Height	mm		1995		1995		1995	
18	Mast Extended Height	mm		4220		4220		4220	
19	Overhead Guard Height	mm		2110		2110		2110	
21	Turning Radius (Outside)	mm		2280		2280		2280	
22	Load Distance (Centerline of front axle to front face of forks)	mm		465		465		465	
	Rear Overhang	mm		520		520		520	
23	Basic Right Angle Stacking Aisle Width (Add load length and clearance)	mm		2745		2745		2745	
24	Travel, Max. (FWD/RVS)	Full Load	km/h	18.0/18.0	17.5/17.5	19.5/19.5	19.0/19.0	19.0/19.0	19.0/19.0
		No Load	km/h	18.5/18.5	18.0/18.0	20.0/20.0	19.5/19.5	19.5/19.5	19.5/19.5
25	Speeds	Full Load	mm/sec	600	600	615	615	650	650
		No Load	mm/sec	640	640	655	655	675	675
26	Lowering	Full Load	mm/sec	500	500	500	500	500	500
		No Load	mm/sec	500	500	500	500	500	500
28	Max. Drawbar Pull	Full Load	N (kg)	16500 (1680)	18500 (1890)	17500 (1780)	19000 (1940)	19500 (1990)	20000 (2040)
		No Load	N (kg)	8600 (880)	8500 (870)	8700 (890)	8700 (890)	8800 (900)	8800 (900)
	Max. Drawbar Pull at 1.5km/h *	Full Load	N (kg)	—	17000 (1730)	—	17200 (1750)	—	17500 (1780)
29	Gradeability at 1.5 km/h *	Full Load	% (tanθ)	—	30	—	31	—	29
30	Max. Gradeability *	Full Load	% (tanθ)	28	34	28	34	33	32
		No Load	% (tanθ)	19	19	19	19	19	19
32	Total Weight	kg		3560		3600		3650	
33	Weight Distribution	Full Load	Front	kg	5280	5300	5320	5320	5320
		Rear	kg	780	800	830	830	830	
34	No Load	Front	kg	1300	1320	1340	1340	1340	
		Rear	kg	2260	2280	2310	2310	2310	
35	Number	Front/Rear		2/2		2/2		2/2	
36	Tires	Front		7.00-12-12PR (I)		7.00-12-12PR (I)		7.00-12-12PR (I)	
37	Size	Rear		6.00-9-10PR (I)		6.00-9-10PR (I)		6.00-9-10PR (I)	
38	Wheelbase	mm		1650		1650		1650	
39	Tread	Front	mm	960		960		960	
		Rear	mm	965		965		965	
	Backrest Height	mm		1220		1220		1220	
	Overhead Guard Clearance	mm		1055		1055		1055	
	Counterweight Height	mm		1090		1090		1090	
	Drawbar Pin Center Height	mm		310		310		310	
	Step Height/Floor Height	mm		435/675		435/675		435/675	
40	Underclearance (Full Load)	Min. <Mast>	mm	95		95		95	
41	Center of Wheelbase	mm		140		140		140	
	Grade Clearance	Frame/Counterweight	% (tanθ)	51/41		51/41		51/41	
42	Brake	Service (Foot)		Hydraulic		Hydraulic		Hydraulic	
43	Parking			Hand	Foot	Hand	Foot	Hand	Foot
45	Battery	Voltage/Capacity (5HR)	V/AH	12/27		12/55		12/64	
49	Make/Model			TOYOTA/4Y		TOYOTA/1DZ-II [1DZ-III] **		TOYOTA/2Z ***	
50	Rated Horsepower/r.p.m.	kW (JIS ps)		40/2400 (54/2400)		44 (60) /2600 [41 (55) /2500]		49/2200 (66/2200)	
51	Rated Torque/r.p.m.	N-m (JIS kg-m)		162/1800 (16.5/1800)		167 (17.0) /1600 [157 (16.0) /2500]		216/1600 (22.0/1600)	
52	Internal Combustion Engine	Number of Cylinder		4		4		4	
		Piston Displacement	cc	2237		2486		3469	
		Fuel Tank Capacity	liter	60		60		60	
		Type		Manual	Powershift	Manual	Powershift	Manual	Powershift
55	Transmission	Stage	FWD/RVS	2/2	1/1	2/2	1/1	2/2	1/1
57	Operating Pressure	For Attachments	Mpa (kg/cm ²) <psi>	14.7 (150) <2100>		14.7 (150) <2100>		14.7 (150) <2100>	

NOTE: * Computed values.

** 1DZ-II: Non-road Mobile Machinery (97/68/EC; Stage II) EPA Non-road Diesel Emissions (40 CFR Part 89; Interim Tier 2).

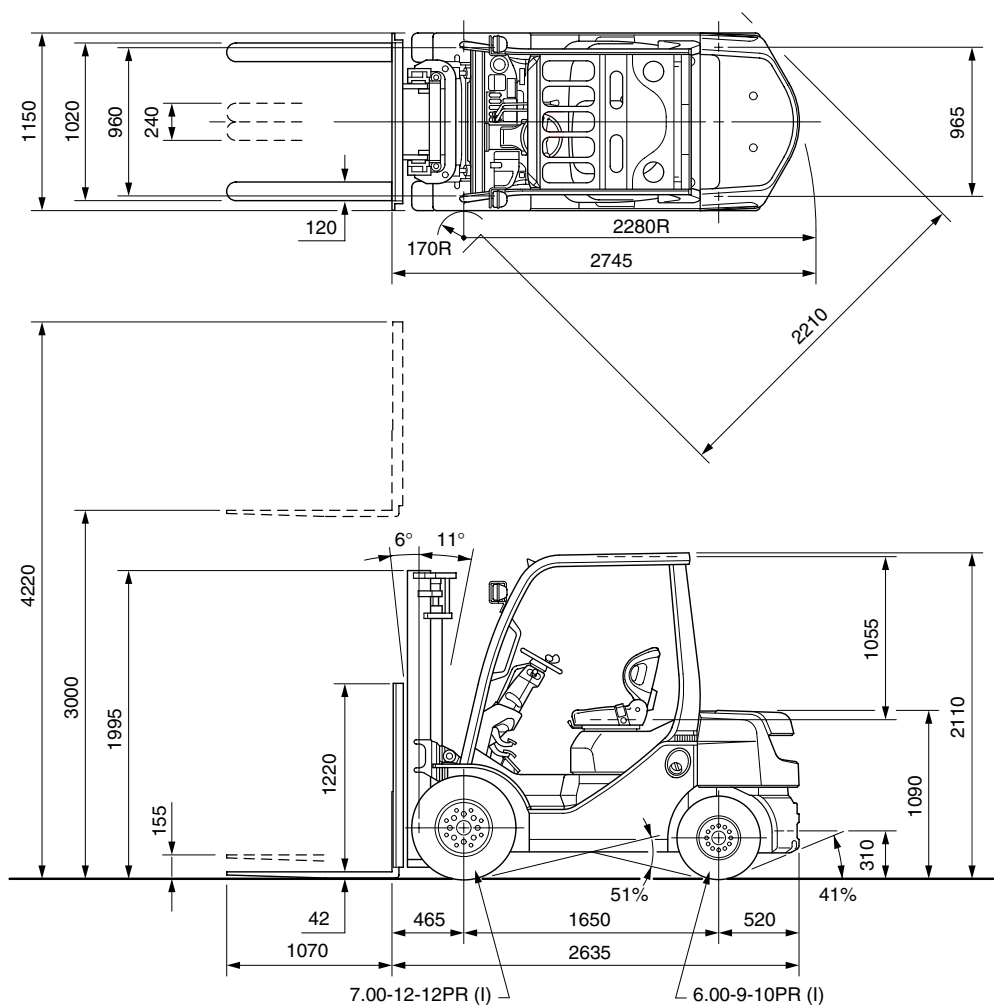
1DZ-III: Non-road Mobile Machinery (97/68/EC; Stage IIIA) EPA Non-road Diesel Emissions (40 CFR Part 1039; Interim Tier 4).

*** 2Z: Non-road Mobile Machinery (97/68/EC; Stage II).

DIMENSIONAL DRAWINGS

8FG/8FD25

Unit: mm



UNDERCLEARANCE

Mast (Full Load)	95
Drive Axle (Full Load)	130
Steer Axle (No Load)	160
Center of Wheelbase (Full Load)	140
Counterweight (No Load)	150

SPECIAL TREAD

Model		8FG/8FD25		
Front Tire	Single/Dual	Single	Dual	Dual
Front Tire Size		7.00-12-12PR (I)	5.50-15-8PR (I)	7.00-12-12PR (I)
Overall Width	mm	1150	1450	1610
Tread, Front	mm	960	1105	1190

SPECIAL MAST

Wide Visible Full-Free Lift Two-Stage Mast (FV), Wide Visible Full-Free Lift Three-Stage Mast (FSV)

Model		8FG/8FD25							
		8FG25	60-8FD25 62-8FD25	70-8FD25 72-8FD25	8FG25	60-8FD25 62-8FD25	70-8FD25 72-8FD25		
Type of Mast		FV			FSV				
PERFORMANCE									
Speeds	Lifting	Full Load	mm/sec	560	600	625	560	590	620
		No Load	mm/sec	600	640	655	600	630	645
	Lowering	Full Load	mm/sec		480		480		
		No Load	mm/sec		420		450		
DIMENSIONS									
Load Distance (Centerline of front axle to front face of forks)		mm		470		480			

RATED CAPACITIES

8FG/8FD25

V, FV Mast (PN)

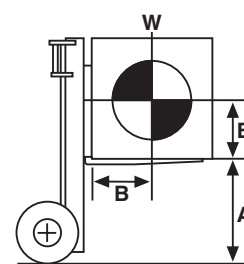
A (mm)	4000	4500	5000
500	2500	2150 [2450]	1700 [2400]
600	2260	1940 [2210]	1540 [2170]
700	2070	1780 [2020]	1400 [1980]
800	1900	1640 [1860]	1290 [1830]
B (mm)	900	1760	1510 [1730]
	1000	1640	1410 [1610]
	1100	1540	1320 [1510]
	1200	1440	1240 [1410]
	1300	1360	1170 [1330]

[] for dual tire models.

V, FV Mast (PSC)

A (mm)	4000	4500	5000
500	2500	2300 [2450]	1850 [2400]
600	2260	1940 [2210]	1540 [2170]
700	2070	1780 [2020]	1400 [1980]
800	1900	1640 [1860]	1290 [1830]
B (mm)	900	1760	1510 [1730]
	1000	1640	1410 [1610]
	1100	1540	1320 [1510]
	1200	1440	1240 [1410]
	1300	1360	1170 [1330]

[] for dual tire models.



A: Max. Fork Height
B: Load Center
W: Capacity

FSV Mast (PN)

A (mm)	4000	4300	4500	4700	5000	5500	6000	6500	7000
500	2500	2300 [2500]	2000 [2450]	2000 [2450]	1500 [2400]	1250 [2050]	900 [1700]	— [1550]	— [1200]
600	2260	2080 [2260]	1810 [2220]	1810 [2220]	1360 [2170]	1130 [1860]	810 [1540]	— [1400]	— [1080]
700	2070	1910 [2070]	1660 [2030]	1660 [2030]	1240 [1990]	1030 [1700]	740 [1410]	— [1280]	— [990]
800	1910	1760 [1910]	1530 [1870]	1530 [1870]	1140 [1830]	950 [1560]	680 [1300]	— [1180]	— [910]
B (mm)	900	1770	1630 [1770]	1420 [1730]	1420 [1730]	1060 [1450]	880 [1200]	630 [1100]	— [850]
	1000	1650	1520 [1650]	1320 [1620]	1320 [1620]	990 [1580]	820 [1350]	590 [1020]	— [790]
	1100	1550	1420 [1550]	1240 [1510]	1240 [1510]	930 [1480]	770 [1270]	550 [960]	— [740]
	1200	1450	1340 [1450]	1160 [1420]	1160 [1420]	870 [1400]	720 [1190]	520 [990]	— [700]
	1300	1370	1260 [1370]	1100 [1340]	1100 [1340]	820 [1320]	680 [1120]	490 [930]	— [660]

[] for dual tire models (PN or PSC).

FSV Mast (PSC)

A (mm)	5000	5500	6000
500	1650	1400	1050
600	1490	1270	950
700	1370	1160	870
800	1260	1070	800
B (mm)	900	1170	990
	1000	1090	920
	1100	1020	860
	1200	960	810
	1300	900	770

MAST SPECIFICATIONS & RATED CAPACITIES

Wide Visible Mast (V), Wide Visible Full-Free Lift Two-Stage Mast (FV), Wide Visible Full-Free Lift Three-Stage Mast (FSV)
8FG/8FD25

Mast Type	Maximum Fork Height	Overall Height			Free Lift		Single Tire				Dual Tire		
		Lowered	Extended		Without Load Backrest	With Standard Load Backrest	Tilt Range		Load Capacity at 500 mm LC		Tilt Range		Load Capacity at 500 mm LC
			Without Load Backrest	With Standard Load Backrest			FWD	BWD	Pneumatic Tire	Pneumatic-Shaped Cushion Tire	FWD	BWD	
		mm	mm	mm	mm	mm	mm	deg	deg	kg	kg	deg	deg
V	2700	1845	3375*	3920	150	150	6	11	2500	2500	6	11	2500
	3000	1995	3675*	4220	150	150	6	11	2500	2500	6	11	2500
	3300	2145	3975*	4520	150	150	6	11	2500	2500	6	11	2500
	3500	2245	4175*	4720	150	150	6	11	2500	2500	6	11	2500
	3700	2405	4375*	4920	150	150	6	11	2500	2500	6	11	2500
	4000	2595	4675*	5220	150	150	6	9	2500	2500	6	11	2500
	4500	2845	5175*	5720	150	150	6	6	2150	2300	6	11	2450
5000	3095	5675*	6220	150	150	6	6	1700	1850	6	6	2400	
FV	3000	1995	3560	4175	1400	785	6	11	2500	2500	6	11	2500
	3300	2145	3860	4435	1550	975	6	11	2500	2500	6	11	2500
	3500	2245	4060	4635	1650	1075	6	11	2500	2500	6	11	2500
	3700	2405	4260	4835	1810	1235	6	11	2500	2500	6	11	2500
	4000	2595	4560	5135	2000	1425	6	9	2500	2500	6	11	2500
FSV	3700	1795	4270	4910	1225	585	6	6	2500	2500	6	6	2500
	4000	1895	4570	5210	1325	685	6	6	2500	2500	6	6	2500
	4300	1995	4870	5510	1425	785	6	6	2300	2300	6	6	2500
	4500	2065	5070	5710	1495	855	6	6	2000	2000	6	6	2450
	4700	2145	5270	5910	1575	935	6	6	2000	2000	6	6	2450
	5000	2245	5570	6210	1675	1035	6	6	1500	1650	6	6	2400
	5500	2405	6070	6710	1835	1195	6	6	1250	1400	6	6	2050
	6000	2595	6570	7210	2025	1385	6	6	900	1050	6	6	1700
	6500	2845	7070	7710	2275	1635	—	—	—	—	6	6	1550
	7000	3095	7570	8210	2525	1885	—	—	—	—	6	6	1200

NOTE: Height of standard load backrest is 1220 mm.
* with A4 piping, minus 15 mm.