



## FEATURES ALUMINIUM SCAFFOLD TOWER SPECIFICATIONS

- Loading Capacity: 2.2KN/m<sup>2</sup> each platform
- Thickness Of Pipe: 2mm
- 8 x2 Castor Load: 450kg/pc
- Structure Whole Tower: 1 Ton Load
- Highest Tower Below: 14.1m Double Width
- Highest Tower Below: 14.1m Single Width
- Aluminium Grade 6061-T6

## INFORMATION ALUMINIUM SCAFFOLD

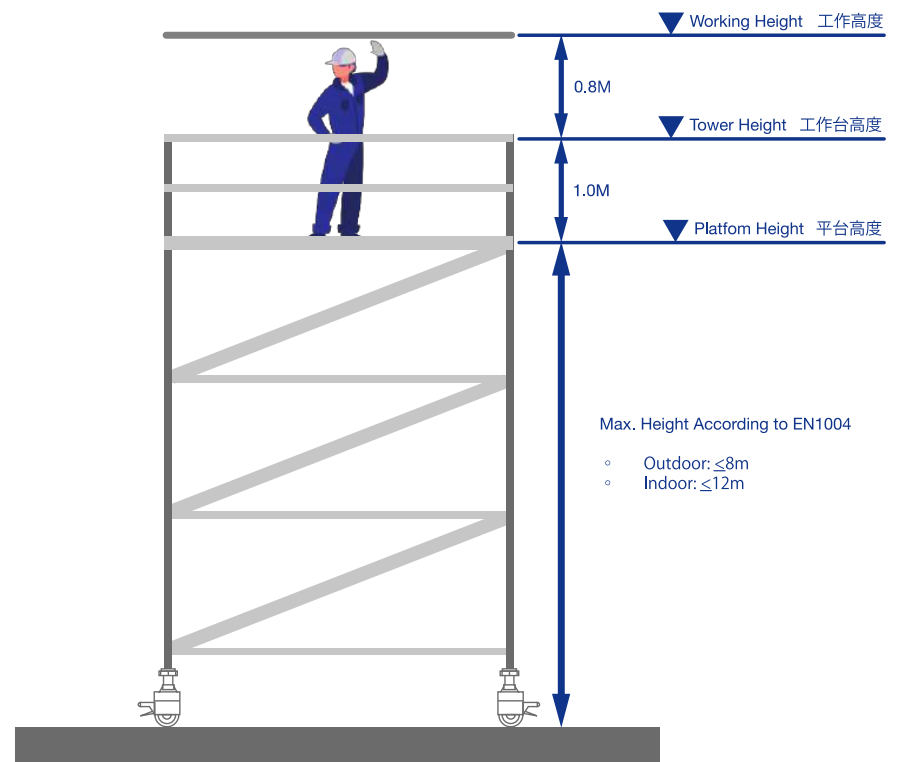
- Designation: Class 3.2KN/m<sup>2</sup> around 200kg/m<sup>2</sup>
- Maximum Height Indoor: 12m
- Maximum Height Outdoor: 8m
- Maximum Platform Height: 14.1m Double Width
- Maximum Platform Height: 14.1m Single Width
- 275kg max. evenly distribute safe working load per level
- Frame rung to rung 464mm (center to center)



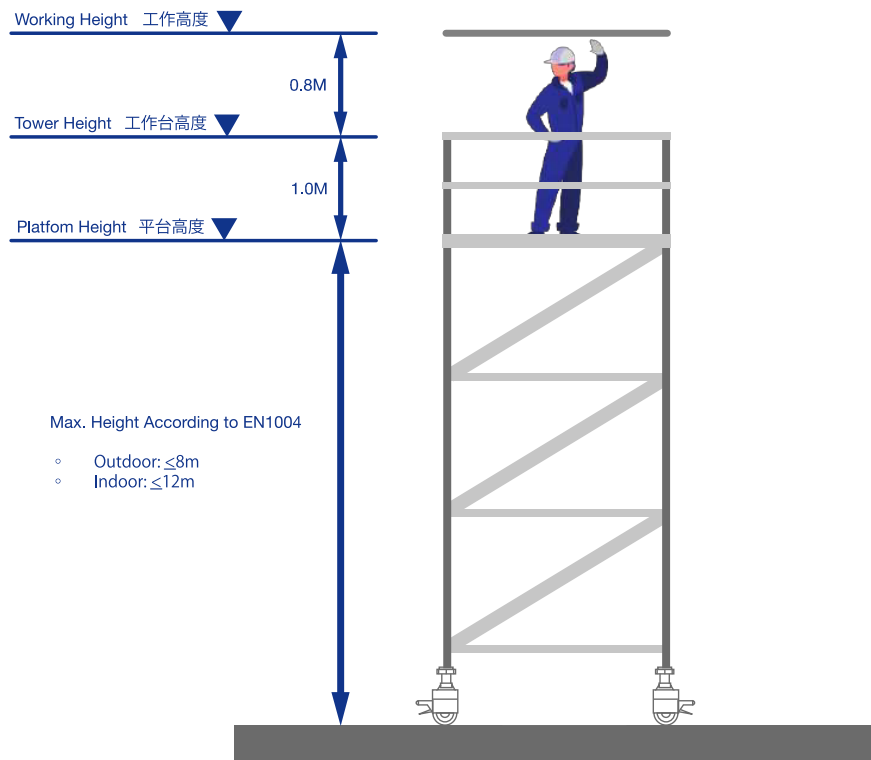
# DOUBLE WIDTH ALUMINIUM SCAFFOLD TOWER



Length: 2m  
Width: 1.35m

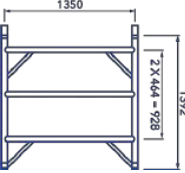
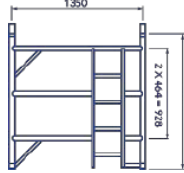
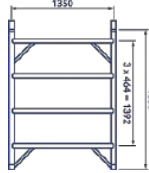

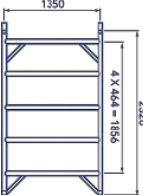
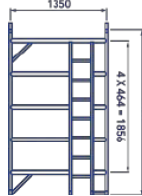
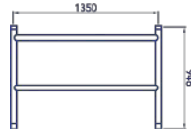



## SINGLE WIDTH ALUMINIUM SCAFFOLD TOWER

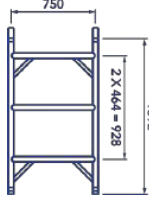
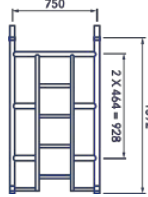
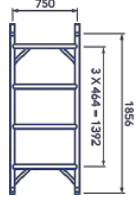
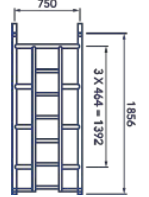
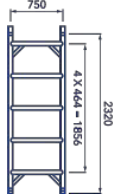
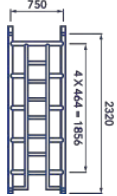
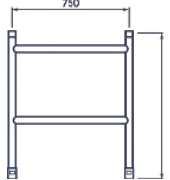



Length: 2m  
Width: 0.75m


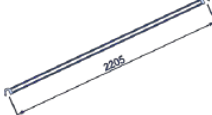

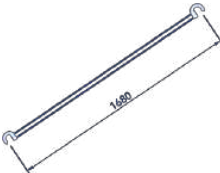
## DOUBLE WIDTH

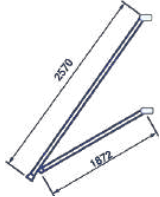
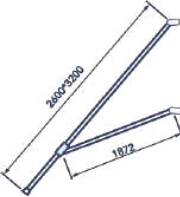
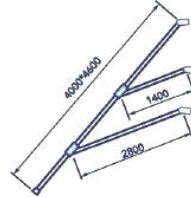
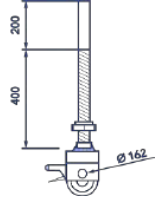
F301	1350 x 1392	F301L	1350 x 1392	F302	1350 x 1856	F302L	1350 x 1856
							
3-Rung Frame		3-Rung Ladder Frame		4-Rung Frame		4-Rung Ladder Frame	
F303	1350 x 2320	F303L	1350 x 2320	G2	1350 x 945	T1	1220 x 1950
							
5-Rung Frame		5-Rung Ladder Frame		Guard Rail Frame		Toe Board	

## SINGLE WIDTH

F501	750 x 1392	F501L	750 x 1392	F502	750 x 1856	F502L	750 x 1856
							
3-Rung Frame		3-Rung Ladder Frame		4-Rung Frame		4-Rung Ladder Frame	
F503	750 x 2320	F503L	750 x 2320	G5	750 x 945	T2	610 x 1950
							
5-Rung Frame		5-Rung Ladder Frame		Guard Rail Frame		Toe Board	

## UNIVERSAL

HB4	2000	DB4	2205	HB6	1400	DB5	1680
							
Horizontal Brace		Diagonal Brace		Horizontal Brace		Diagonal Brace	

S2	2570	S4	2600*3200	STF2	4000*4600	BC6T1	6 x 2
							
Standard Fixed Stabilizer		Standard Adjustable Stabilizer		Standard Adjustable Stabilizer		Caster W/adjustable Leg	