

Technical sheet :

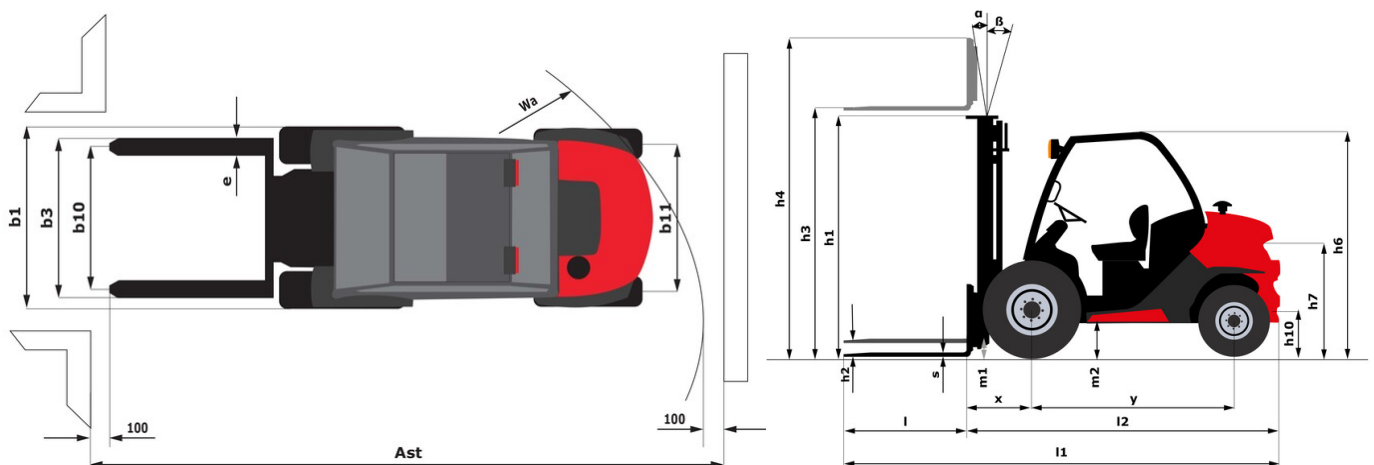
# MC-X 30-4



 **MANITOU**  
HANDLING YOUR WORLD

Technical characteristics		Metric	
1.1	Manufacturer		Manitou
1.2	Model Name		MC-X_30-4
1.3	Power source		Diesel
1.4	Operator type		Sitting
1.5	Max. capacity	Q	3000 kg
1.6	Load center of gravity	c	500 mm
1.8	Load distance, centre of drive axle to fork	x	626 mm
1.9	Wheelbase	y	1900 mm
Weight			
2.1	Service weight		4515 kg
2.2	Weight on front axle (laden) / rear axle (laden)		6595 kg / 920 kg
2.3	Weight on front axle (Unladen) / rear axle (Unladen)		1820 kg / 2695 kg
Wheels			
3.1	Tyres type		Pneumatic
3.2	Dimensions of front wheels		12,5/80-18/12 SL R4
3.3	Dimensions of rear wheels		27x10-12 SKS
3.5	Number of front wheels / rear wheels		2 / 2
3.5.2	Number of drive wheels		4
3.6	Front wheel gauge	b10	1159 mm
3.7	Rear wheel gauge	b11	1176 mm
Dimensions			
4.7	Height of overhead guard (cabin) / Overall height of low overhead guard (Buggie version)	h6 / h6*	2155 mm / 1990 mm
4.8	Seat height/stand height	h7	1094 mm
4.19	Overall length	l1	4235 mm
4.20	Length to face of forks	l2	3085 mm
4.21	Overall width	b1	1450 mm
4.22	Forks section x width x length	s / e / l	45 mm x 122 mm / 1150 mm
4.23	Fork carriage ISO 2328 (class/form) A/B		3A
4.24	Fork carriage width	b3	1260 mm
4.31	Ground clearance below mast	m1	300 mm
4.32	Ground clearance at centre of wheelbase	m2	310 mm
4.35	Turning radius	Wa	3435 mm
Performances			
5.1	Travel speed (laden / unladen)		12 km/h / 24.90 km/h
5.2	Lifting speed (laden / unladen)		0.47 m/s / 0.46 m/s
5.3	Lowering speed (laden / unladen)		0.50 m/s / 0.30 m/s
5.5	Drawbar pull (Laden / Unladen)		3270 daN / 1150 daN
5.7	Gradeability (laden / unladen)		40 % / 43 %
5.10	Service brake		Hydraulic brakes by loss of pressure
Engine			
7.1	Engine brand / model		Kubota / V2403
7.2	Engine power according to ISO 1585		36 kW
7.3	Rated speed		2700 rpm
7.4	Number of cylinders / Capacity of cylinders		4 - 2434 cm³
Miscellaneous			
8.1	Type of drive control		Cable
8.2	Working hydraulic pressure for attachments		180 bar
8.3	Oil flow rate for attachments		53 l/min
8.4	Sound level at the driver's ear according to DIN 12 053		82 dB

### MC-X 30-4 - Dimensional drawing



## Characteristics of masts and residual capacities

Full Visibility Duplex (FVD)		FVD 33	FVD 37	FVD 45
Mast/fork carriage tilt, forward	°	10	10	10
Mast/fork carriage tilt, backward	°	12	12	12
h1 - Mast lowered height	mm	2338	2598	3038
h2 - Mast free lift	mm	117	117	117
h3 - Mast lifting height	mm	3300	3700	4500
h4 - Mast extended height	mm	4090	4490	5290

Free Lift Triplex (FLT)		FLT 34	FLT 37	FLT 40	FLT 43	FLT 47	FLT 55
Mast/fork carriage tilt, forward	°	10	10	10	10	10	6
Mast/fork carriage tilt, backward	°	12	12	12	12	12	6
h1 - Mast lowered height	mm	1988	2088	2188000	2338	2438	2788
h2 - Mast free lift	mm	1235	1335	1435	1585	1685	2035
h3 - Mast lifting height	mm	3400	3700	4000	4300	4700	5500
h4 - Mast extended height	mm	4236	4536	4836	5136	5536	6336
Residual capacity at max height	kg	1580					
Residual capacity without attachment (Industrial load chart) A SUPP	kg	1580					
Height at max capacity	mm	2500					

Full Visibility Triplex (FVT)		FVT 33
Mast/fork carriage tilt, forward	°	10
Mast/fork carriage tilt, backward	°	12
h1 - Mast lowered height	mm	1878
h2 - Mast free lift	mm	129
h3 - Mast lifting height	mm	3300
h4 - Mast extended height	mm	4079



**Head Office**

B.P. 249 - 430 rue de l'Aubinière

44150 Ancenis Cedex - France

Tel: +33 (0)2 40 09 10 11 - Fax: +33 (0)2 40 09 10 97

[www.manitou.com](http://www.manitou.com)



This publication provides a description of the configuration versions and options for Manitou products, which may differ for equipment. The equipment presented in this brochure may be part of a series, as an option, or it may not be available, depending on the versions. Manitou reserves the right, at any time and without notice, to amend the specifications described and represented. The specifications provided do not bind the manufacturer. For more details, please contact your Manitou agent. This is not a contractually binding document. The presentation of the products is not contractually binding. List of specifications non-exhaustive. The logos as well as the visual identity of the company are owned by Manitou and cannot be used without authorisation. All rights reserved. The photos and diagrams contained in this brochure are only provided for consultation and information purposes.

MANITOU BF SA - Limited company with board of directors - Share capital: 39,668,399 euros - 857 802 508 RCS Nantes