

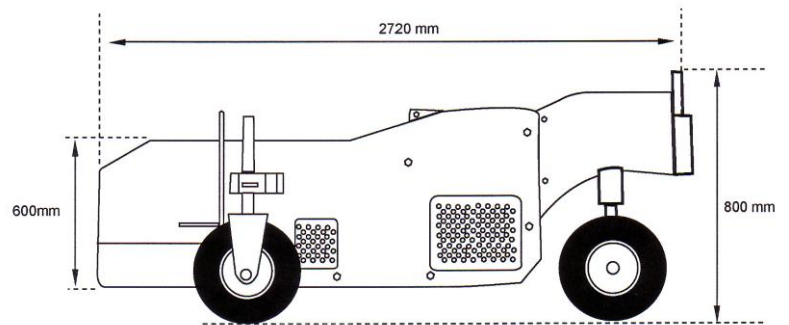


ROAD CURB MACHINE



Technical Specification:

Model	TW 5000
Max. Mould Size (W x H) (mm)	900 x 450
Extrusion Per Day	500 mtrs
Engine	Robin EH-65D
Max. Output (hp/rpm)	22/3600
Engine Type	Air-Cooled Gasoline
Starter System	Key Start
Steering	Hydraulics
Weight (Kg)	1200
Dimension (L x W x H) (mm)	2720 x 800 x 800



Mould Shape for Road Curb Machine

