

# AT-220TG

**Maximum working height**  
24.4 m

**Maximum bucket bottom height**  
22.4 m

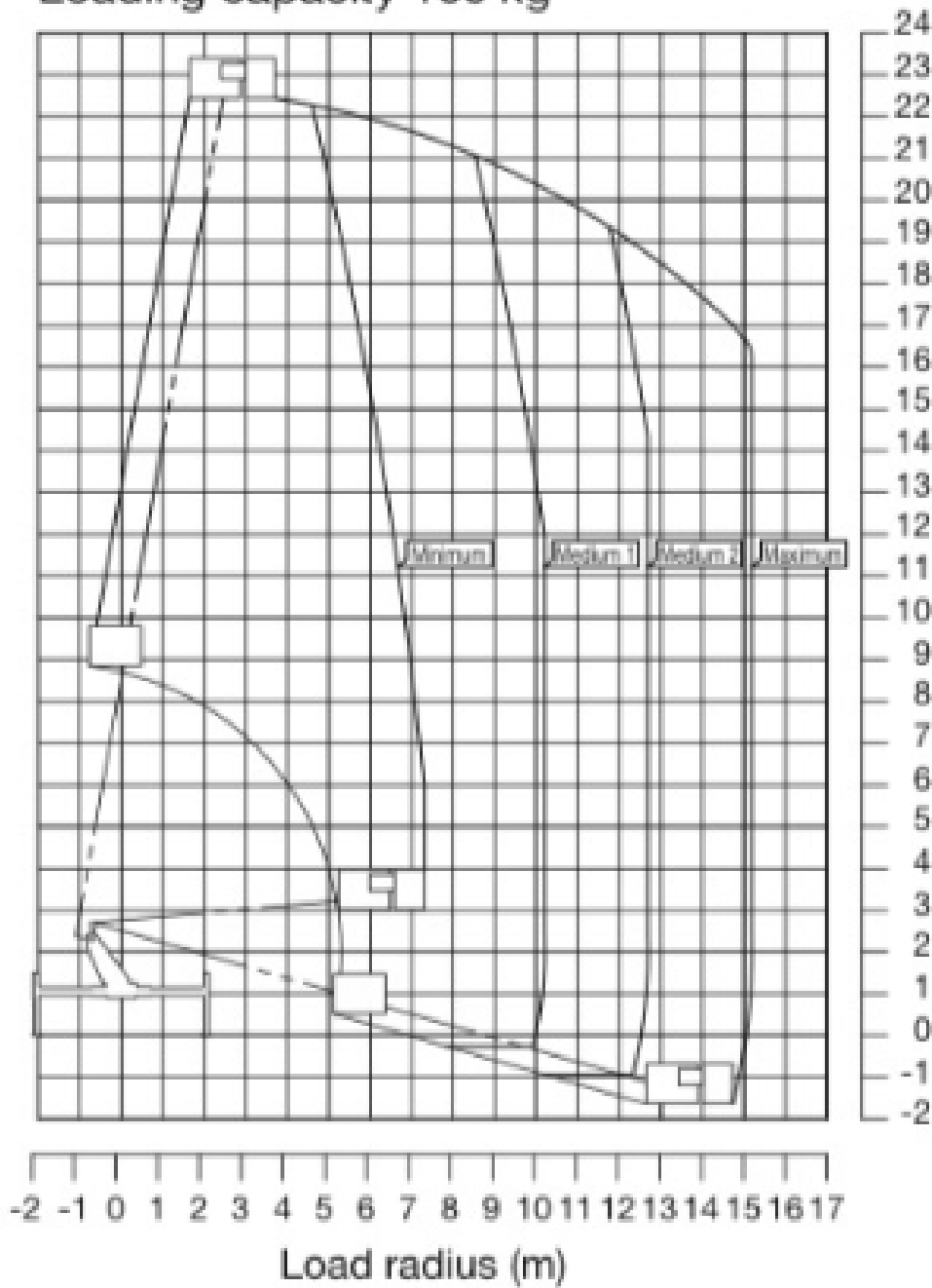
**Maximum working radius**  
Approx. 15.2 m + 1 m

**Maximum bucket loading capacity**  
200 kg or two (2) persons

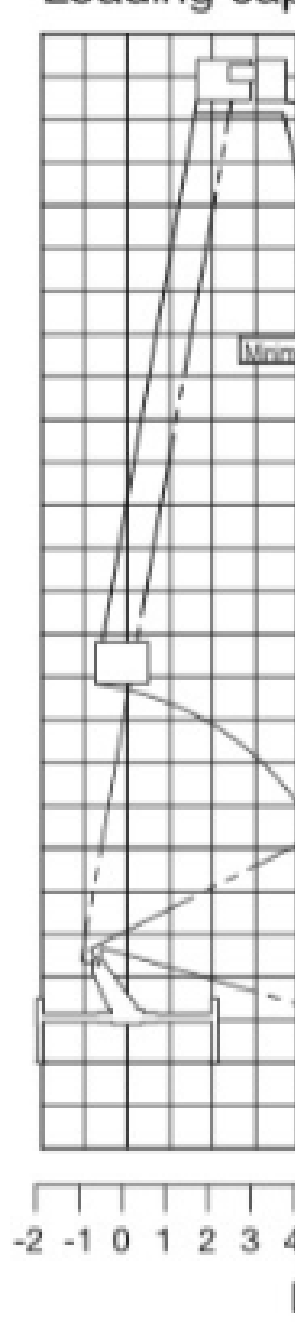


# WORKING RANGE

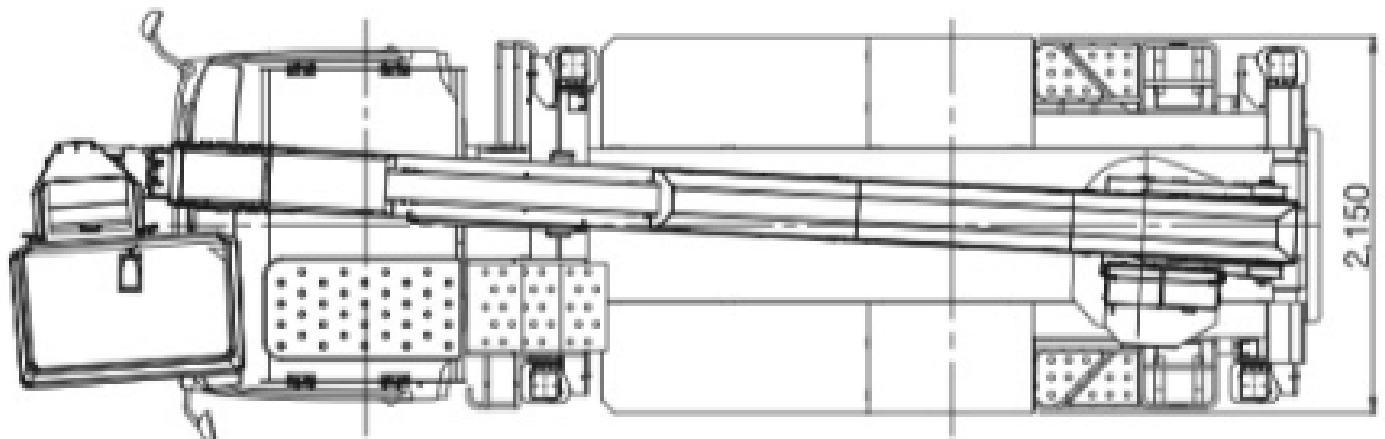
Loading capacity 100 kg



Loading cap



# DIMENSIONS (Approx.)



# Loading capacity 200 kg

