

TRUCK CRANE

TS-75M
TS-75ML

JAPANESE SPECIFICATIONS

TS

OUTLINE	SPEC. NO.
Max. total rated load 4.9 ton	TS-75M-1-00001
Max. total rated load 7.0 ton	TS-75M-1-00002

Control No. JA-04

TS-75ML, TS-75M**CRANE SPECIFICATIONS****CRANE CAPACITY**

6.6m Boom	7,000kg	at 2.5m (6 part-line)	... TS-75ML
	4,900kg	at 3.5m (4 part-line)	... TS-75M
11.5m Boom	4,900kg	at 3.5m (4 part-line)	
16.4m Boom	3,900kg	at 3.5m (4 part-line)	
21.3m Boom	2,000kg	at 5.0m (4 part-line)	
Single top	1,300kg	(1 part-line)	

MAX. LIFTING HEIGHT

Boom	21.3m
Single top	21.8m

MAX. WORKING RADIUS

Boom	20.5m
Single top	20.5m

BOOM LENGTH

6.6m – 21.3m

BOOM EXTENSION

14.7m

BOOM EXTENSION SPEED

14.7m / 32s

MAIN WINCH SINGLE LINE SPEED

High range:	100m/min	(4th layer)
Low range:	50m/min	(4th layer)

MAIN WINCH HOOK SPEED

(TS-75ML)

High range:	16.7m/min	(6 part-line)
Low range:	8.3m/min	(6 part-line)

(TS-75M)

High range:	25m/min	(4 part-line)
Low range:	12.5m/min	(4 part-line)

AUXILIARY WINCH SINGLE LINE SPEED

High range:	84m/min	(2nd layer)
Low range:	42m/min	(2nd layer)

AUXILIARY WINCH HOOK SPEED

High range:	84m/min	(1 part-line)
Low range:	42m/min	(1 part-line)

BOOM ELEVATION ANGLE

-7° – 80°

BOOM ELEVATION SPEED

-7° – 80° / 26s

SWING ANGLE

360° continue

SWING SPEED

2.7rpm

WIRE ROPE

Main Winch

10mm × 115m (Diameter × Length)

7 × 7 + 6 × Fi (29)

Spin-resistant wire rope

Auxiliary Winch

10mm × 50m (Diameter × Length)

7 × 7 + 6 × WS (36)

Spin-resistant wire rope

BOOM

4-section fully hydraulically synchronized telescoping boom of box construction.

BOOM EXTENSION1 double-acting hydraulic cylinder
2 wire rope type telescoping device**SINGLE TOP**

Single sheave. Mounted to main boom head for single line work.

HOIST

Driven by hydraulic motor and via spur gear speed reducer. With free-fall device.

Automatic brake (with foot brake for free-fall device)

1-motor 2-axle 2-drum winch

BOOM ELEVATION

1 double-acting hydraulic cylinders

SWING

Hydraulic motor driven planetary gear reducer

Swing bearing

Automatic brake

OUTRIGGERS

Fully hydraulic type; front: H-type; rear: X-type

Full extended width 4.4m

Middle extended width 3.0m

MAX. OUTRIGGER LOAD

9.0t

FRONT JACK

Hydraulic operated type

HYDRAULIC PUMPS

3 gear pumps

HYDRAULIC OIL TANK CAPACITY

115 liters

SAFETY DEVICES

Automatic moment limiter (AML)

With working range limiting function

Working area control device

Over-winding cutout

Level gauge

Hook safety latch

Hydraulic safety valve

Telescopic counterbalance valve

Elevation counterbalance valve

Jack pilot check valve

Front jack over load alarm

EQUIPMENTS

Crane cab heater

Radio

Fan

Boom angle indicator

GENERAL DATA**MOUNTING CARRIERS
(representative examples)**

NISSAN	U-CM87B
MITSUBISHI	U-FK415ED
HINO	U-FD3WDAD
ISUZU	U-FRR32DB

**DIMENSIONS
(may differ according to type of mounting carrier)**

Overall length	Approx. 7,680mm
Overall width	Approx. 2,200mm
Overall height	Approx. 3,250mm

WEIGHT

Gross vehicle weight	Approx. 7,950kg
----------------------	-----------------

TOTAL RATED LOADS

Unit : ton

· Outriggers fully extended + Front jack (360°)
 · Outriggers fully extended (Over rear · Over sides)

A \ B (m)	B (m)			
	6.6 m	11.5 m	16.4 m	21.3 m
2.0	(4.90) 7.00			
2.5	(4.90) 7.00			
3.0	(4.90) 6.10	4.90		
3.5	(4.90) 5.30	4.90	3.90	
4.0	4.55	4.50	3.60	
4.5	3.75	3.85	3.30	2.00
5.0	3.15	3.25	3.05	2.00
5.5	2.70	2.80	2.80	1.85
6.0	2.35	2.45	2.45	1.70
7.0		1.90	1.95	1.45
8.0		1.55	1.55	1.25
9.0		1.25	1.30	1.10
10.0		1.05	1.10	0.95
10.9		0.90	0.90	0.90
12.0			0.75	0.78
13.0			0.65	0.70
14.0			0.55	0.60
15.0			0.45	0.52
15.8			0.40	0.45
17.0				0.37
18.0				0.31
19.0				0.25
20.0				0.20
20.5				0.17

· Outriggers middle extended (360°)
 · Outriggers fully extended (Over front)

A \ B (m)	B (m)			
	6.6 m	11.5 m	16.4 m	21.3 m
2.0	(4.90) 7.00			
2.5	(4.90) 7.00			
3.0	(4.90) 5.20	4.90		
3.5	3.80	3.90	3.50	
4.0	2.90	3.00	2.80	
4.5	2.20	2.40	2.40	2.00
5.0	1.80	1.95	1.95	1.80
5.5	1.40	1.60	1.60	1.65
6.0	1.10	1.35	1.35	1.40
7.0		0.95	0.95	1.00
8.0		0.70	0.70	0.75
9.0		0.50	0.50	0.55
10.0		0.35	0.35	0.40
10.9		0.25	0.25	0.30

A = Boom length
 B = Working radius

NOTES:

1. Values within () are for the TS-75M type.
2. The total rated loads shown are for the case when the outriggers are set horizontally on firm ground. The values are based on the crane strength.
3. The weights of the slings and hooks (main winch hook: 65kg, auxiliary winch hook: 20kg) are included in the total rated loads shown.
4. The total rated load is based on the actual working radius including the deflection of the boom.
5. Subtract 50kg from the value in the chart for the total rated load of the boom with a single top set.
6. The chart below shows the standard number of part lines for each boom length. The load per line should not exceed 1.23t for the main winch and 1.30t for the auxiliary winch.

A	6.6m	11.5m	16.4m	21.3m	Single top
H	6 (4)	4	4	4	1

A = Boom length H = No. of part-line

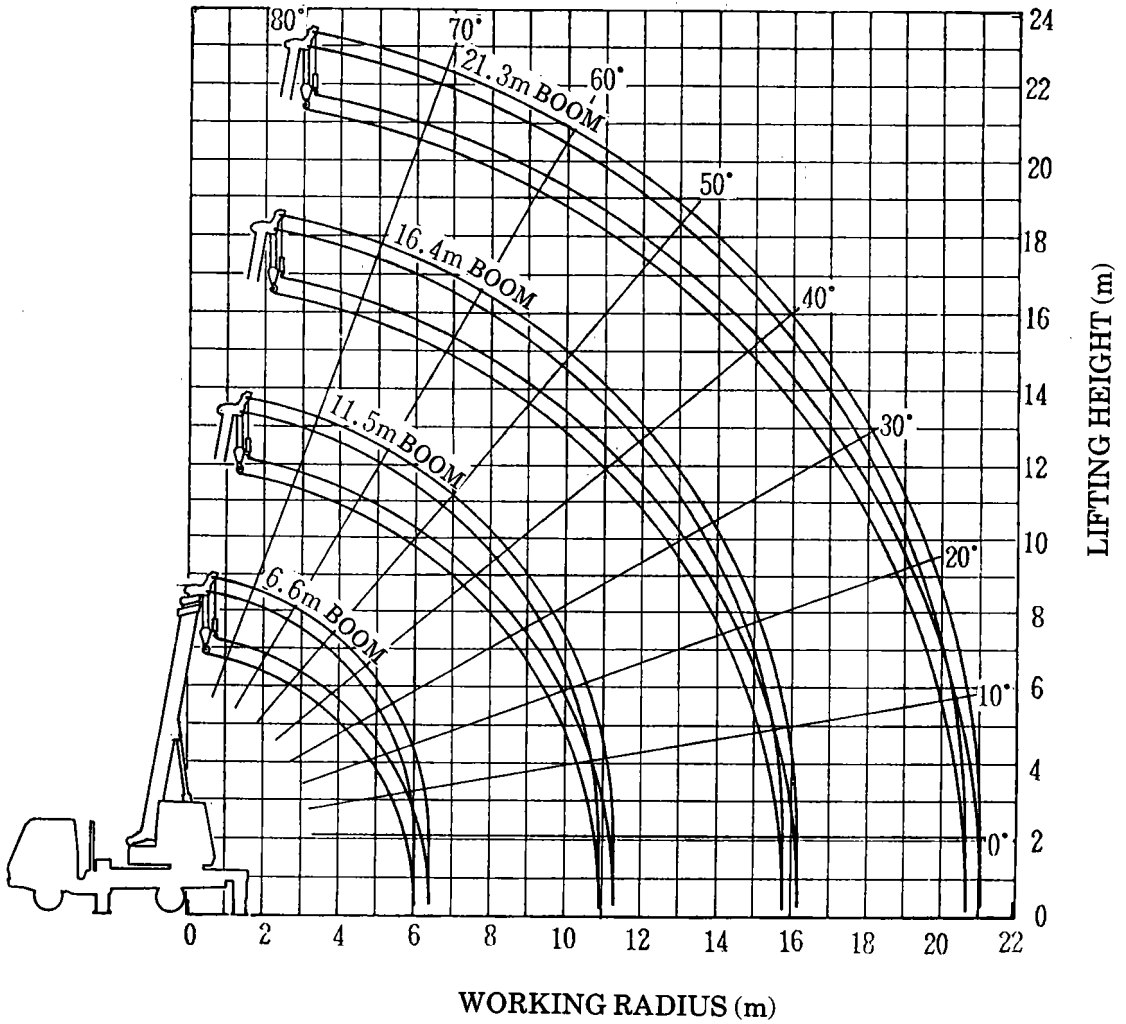
Values within () are for TS-75M.

7. As a rule, free-fall operations should be performed only when lowering the hook alone. If a hoisted load must be lowered by free-fall operation, the load must be kept below 1/5th of the total rated load (the load per line must be 0.26t) and sudden braking operations must be avoided.
8. The total rated loads for the single top are obtained by subtracting the corresponding values below from the total rated load of the boom and must not exceed 1.30t.

A	6.6m	11.5m	16.4m	21.3m
Q	0 kg	30 kg	40 kg	50 kg

A = Boom length Q = Subtracted load

WORKING RADIUS - LIFTING HEIGHT

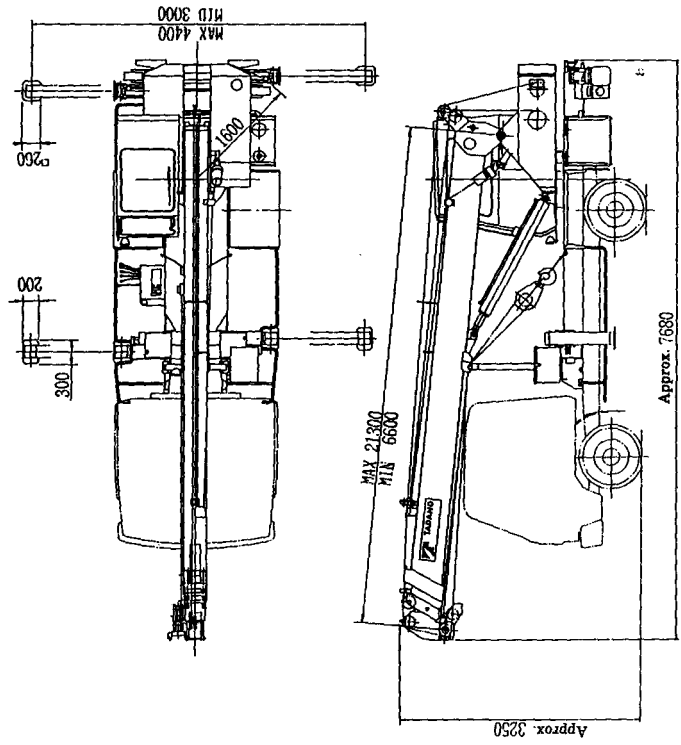


NOTES:

1. The deflection of the boom is not incorporated in the figure above.
2. The above chart is for the case where the outriggers are fully extended and where the front jack are used (over 360°).

DIMENSIONS (1/100)

May differ according to type of mounting carrier.



◆ MEMO ◆

A series of horizontal dashed lines for writing.