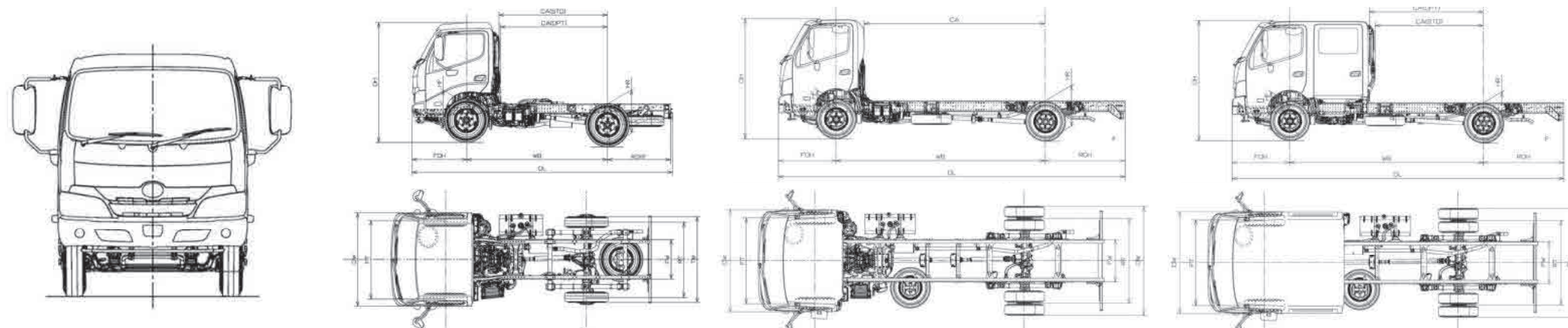


SPECIFICATION

MODEL	XZU600	XZU640	XZU600AT	XZC710	XZC730	XZC740	XZC710AT	XZC730AT	XZC720CREW
FULL MODEL CODE	XZU600R - WKMLK3	XZU640R - WKMLK3	Temporary Discontinued	XZC710R - WKFRL3	XZC730R - WKFRL3	XZC740R - WKFRL3	Temporary Discontinued	Temporary Discontinued	XZC720R - ZKFRL3
GVW (Kg)	5,000	5,000	Temporary Discontinued	7,500	7,500	7,500	Temporary Discontinued	Temporary Discontinued	7,500
DRIVE SYSTEM	CONFIGURATION	4 x 2	Temporary Discontinued	4 x 2	4 x 2	4 x 2	Temporary Discontinued	Temporary Discontinued	4 x 2
	NO. OF WHEEL	4 Wheeler	Temporary Discontinued	6 Wheeler	6 Wheeler	6 Wheeler	Temporary Discontinued	Temporary Discontinued	6 Wheeler
CAB STYLE	Standard Cab	Standard Cab	Temporary Discontinued	Wide Cab	Wide Cab	Wide Cab	Temporary Discontinued	Temporary Discontinued	Crew Cab
STANDARD WHEELBASE (mm)	2525	3075	Temporary Discontinued	3500	4100	4400	Temporary Discontinued	Temporary Discontinued	3800
ENGINE	MODEL	N04C - WG	Temporary Discontinued	N04C - WH	N04C - WH	N04C - WH	Temporary Discontinued	Temporary Discontinued	N04C - WH
	DISPLACEMENT (cc)	4,009	Temporary Discontinued	4,009	4,009	4,009	Temporary Discontinued	Temporary Discontinued	4,009
	EMISSION	Euro 3	Temporary Discontinued	Euro 3	Euro 3	Euro 3	Temporary Discontinued	Temporary Discontinued	Euro 3
	TYPE	Commonrail, Turbo Charged, Intercooled	Temporary Discontinued	Commonrail, Turbo Charged, Intercooled	Commonrail, Turbo Charged, Intercooled	Commonrail, Turbo Charged, Intercooled	Temporary Discontinued	Temporary Discontinued	Commonrail, Turbo Charged, Intercooled
	MAX OUTPUT (PS)	104 (141) / 2,500	Temporary Discontinued	115 (156) / 2,800	115 (156) / 2,800	115 (156) / 2,800	Temporary Discontinued	Temporary Discontinued	115 (156) / 2,800
MAX TORQUE (Nm)	402 (41) / 1,600	Temporary Discontinued	430 (44) / 1,400	430 (44) / 1,400	430 (44) / 1,400	Temporary Discontinued	Temporary Discontinued	430 (44) / 1,400	
TRANSMISSION / MODEL	Manual 5-Speed / RE50	Manual 5-Speed / RE50	Temporary Discontinued	Manual 6-Speed / RE61	Manual 6-Speed / RE61	Manual 6-Speed / RE61	Temporary Discontinued	Temporary Discontinued	Manual 6-Speed / RE61
SERVICE BRAKES	Vacuum Servo Hydraulic	Vacuum Servo Hydraulic	Temporary Discontinued	Vacuum Servo Hydraulic	Vacuum Servo Hydraulic	Vacuum Servo Hydraulic	Temporary Discontinued	Temporary Discontinued	Vacuum Servo Hydraulic
REAR AXLE MODEL	BD26A	BD26A	Temporary Discontinued	SH12-1	SH12-1	SH12-1	Temporary Discontinued	Temporary Discontinued	SH12-1



HINO 300

Series **PRO**

Strong, Spacious, Safety, Smart
Built for Ultimate Customer Success



HINO MOTORS SALES (MALAYSIA) SDN BHD (187863-U)

Selangor: Lot PT 24, Jalan 223, Section 51A, 46100 Petaling Jaya, Selangor Darul Ehsan, Malaysia. Tel: (603) 7957 5199 (12 lines) Fax: (603) 7954 3276
Sarawak: Lot 1076, Block 218, 4th Mile, Penrissen Road, 93250 Kuching, Sarawak, Malaysia. Tel: (082) 451 611 (5 lines) Fax: (082) 451 993
Sabah: Miles 4 1/2 Jalan Tuaran, Lot No. 353, Taman Cempaka, Likas, 88450 Kota Kinabalu, Sabah, Malaysia. Tel: (088) 393 663 Fax: (088) 424 223

www.hino.com.my

HINO Authorized Dealer:

