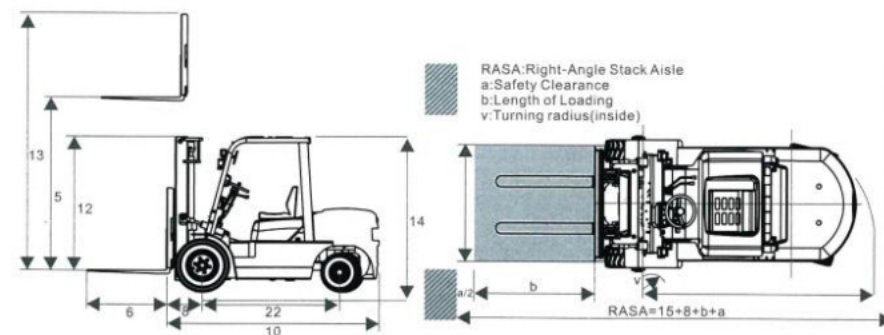
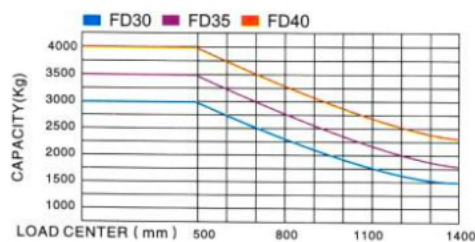


DIESEL FORKLIFT 3.0-4.0TON

General	1	Model	FD30	FD35	FD38	FD40		
	2	Power Type	Diesel	Diesel	Diesel	Diesel		
3	Rated Capacity	kg	3000	3500	3800	4000		
4	Load Centre	mm	500	500	500	500		
5	Lift Height	mm	3000	3000	3000	3000		
Characteristic & Dimension	6	Fork Size	L×W×T	1070*125*45	1070*125*45	1070*125*45	1070*125*50	
	7	Mast Tilt Angle	F/R	6°/12°	6°/12°	6°/12°	6°/12°	
	8	Front Overhang (Wheel Center to fork face)	mm	475	480	480	500	
	9	Ground Clearance (Bottom of mast)	mm	135	110	110	135	
	10	Overall Dimension	h to face of fork(Without	mm	2770	2865	2865	2890
	11		Overall Width	mm	1225	1225	1225	1410
	12		Mast Lowered Height	mm	2115	2175	2175	2330
	13		Mast Extended Height	mm	4160	4160	4160	4225
	14		Overall Guard Height	mm	2090	2090	2090	2110
	15	Turning Radius(outside)	mm	2520	2600	2600	2700	
16	Min. insecting aisle	mm	2550	2630	2630	2700		
Performance	17	Speed	Travel(Empty load)	km/h	19	19	19	
	Lifting(Full load)		mm/s	440	350	350	320	
	19	Max. Gradeability	%	20	20	20	20	
Chassis	20	Tire	Front	28x9-15-12PR	28x9-15-12PR	28x9-15-12PR	250-15-16PR	
	Rear		6.50-10-10PR	6.50-10-10PR	6.50-10-10PR	6.50-10-10PR		
	22	Wheel Base	mm	1800	1800	1800	1900	
23	Service Weight	kg	4150	4500	4950	5100		
Power & Transmission	24	Battery	Voltage/Capacity	V/Ah	(12V/80Ah)	(12V/80Ah)	(12V/80Ah)	(12V/80Ah)
	25	Engine	Model	QC490GA	QC490GA	QC490GA	4D32G31	
	26		Manufacture	QUANCHAI	QUANCHAI	QUANCHAI	XINCHAI	
	27		Rated output/r.p.m.	kw	39/2650	39/2650	39/2650	45/2500
	28		Rated torque/r.p.m.	N·m	157/1800-2000	157/1800-2000	157/1800-2000	193/1800
	29		No. of Cylinder		4	4	4	4
	30		Bore×Stroke	mm	90*105	90*105	90*105	98*105
	31		Displacement	cc	2670	2670	2670	3170
	32		Fuel Tank Capacity	L	60	60	60	70
	33		Transmission	Type	Manual or Hydraulic			
	34			Stage	FWD/RVS	1/1	1/1	1/1
	35	Operating Pressure for Attachment	Mpa	17.5	17.5	17.5	19	



T-SERIES 3.0-4.0 TON DIESEL FORKLIFT MAST

Type	Model	Lift Height (mm)	Load Capacity(kg)			Overall Height(mm)												Tilt Angle			
			3.0t	3.5t	4.0t	3.0t			3.5t			4.0t			Free Lift(mm)						
						Mast Lowered	Mast Extended With Backrest	Mast Extended Without Backrest	Mast Lowered	Mast Extended With Backrest	Mast Extended Without Backrest	Mast Lowered	Mast Extended With Backrest	Mast Extended Without Backrest	3.0t	3.5t	4.0t				
Wide view mast	M200	2000	3000	3500	4000	1615	3180	2720	1615	3180	2720	1695	3180	2840	-	-	-	-	-	6°/12	
	M250	2500	3000	3500	4000	1865	3680	3220	1865	3680	3220	1945	3680	3340	-	-	-	-	-	6°/12	
	M300	3000	3000	3500	4000	2115	4180	3720	2115	4180	3720	2195	4180	3840	-	-	-	-	-	6°/12	
	M330	3300	3000	3500	4000	2265	4480	4020	2265	4480	4020	2345	4480	4140	-	-	-	-	-	6°/12	
	M350	3500	3000	3500	4000	2365	4680	4220	2365	4680	4220	2445	4680	4340	-	-	-	-	-	6°/12	
	M370	3700	3000	3500	4000	2465	4880	4420	2465	4880	4420	2545	4880	4540	-	-	-	-	-	6°/12	
	M400	4000	2950*3000	3200*3500	4000	2665	5180	4720	2665	5180	4720	2745	5180	4840	-	-	-	-	-	6°/12	
	M450	4500	2750*3000	3000*3050	3600*3800	2915	5680	5220	2915	5680	5220	2995	5680	5340	-	-	-	-	-	6°/6	
Full free 2-stage mast	M500	5000	2400*2550	2500*2850	3100*3500	3165	6180	5720	3165	6180	5720	3245	6180	5840	-	-	-	-	-	6°/6	
	M550	5500	2250*2400	2300*2500	2850*3150	3465	6680	6220	3465	6680	6220	3545	6680	6340	-	-	-	-	-	3°/6	
	M600	6000	1500*2200	1800*2300	2300*2900	3715	7180	6720	3715	7180	6720	3795	7180	6840	-	-	-	-	-	3°/6	
	Z200	2000	3000	3500	4000	1615	3180	2720	1615	3180	2720	1695	3180	2780	470	930	470	930	570	930	6°/12
	Z250	2500	3000	3500	4000	1865	3680	3220	1865	3680	3220	1945	3680	3280	720	1180	720	1180	820	1180	6°/12
	Z300	3000	3000	3500	4000	2115	4180	3720	2115	4180	3720	2195	4180	3780	970	1430	970	1430	1070	1430	6°/12
	Z330	3300	3000	3500	4000	2265	4480	4020	2265	4480	4020	2345	4480	4080	1120	1580	1120	1580	1220	1580	6°/12
	Z350	3500	3000	3500	4000	2365	4680	4220	2365	4680	4220	2445	4680	4280	1220	1680	1220	1680	1320	1680	6°/12
Full free 3-stage mast	Z370	3700	3000	3500	4000	2465	4880	4420	2465	4880	4420	2545	4880	4480	1320	1780	1320	1780	1420	1780	6°/12
	Z400	4000	2900*3000	3300*3500	3900*4000	2665	5180	4720	2665	5180	4720	2745	5180	4780	1520	1980	1520	1980	1620	1980	6°/12
	S370	3700	2900	3300	3900	1870	4875	4420	1870	4875	4420	1930	4875	4480	730	1185	730	1185	830	1185	6°/6
	S400	4000	2900	3300	3900	1970	5175	4720	1970	5175	4720	2030	5175	4780	830	1285	830	1285	930	1285	6°/6
	S435	4350	2800*2900	3000*3300	3750*3900	2085	5525	5070	2085	5525	5070	2145	5525	5130	945	1400	945	1400	1045	1400	6°/6
	S450	4500	2700*2800	2900*3100	3600*3800	2135	5675	5240	2135	5675	5240	2195	5675	5280	995	1450	995	1450	1095	1450	6°/6
	S480	4800	2500*2800	2700*3000	3250*3650	2235	5975	5520	2235	5975	5520	2295	5975	5580	1095	1550	1095	1550	1195	1550	6°/6
	S500	5000	2300*2550	2500*2800	3000*3500	2305	6175	5720	2305	6175	5720	2365	6175	5780	1165	1620	1165	1620	1265	1620	6°/6
Full free 3-stage mast	S550	5500	2200*2400	2350*2500	2750*3150	2520	6675	6220	2520	6675	6220	2580	6675	6280	1385	1840	1385	1840	1485	1840	3°/6
	S600	6000	1500*2100	1650*2200	2200*2900	2685	7175	6720	2685	7175	6720	2745	7175	6780	1555	2010	1555	2010	1655	2010	3°/6

**T-SERIES
3.0-4.0Ton
DIESEL FORKLIFT**

