

SPECIFICATION



BACKHOE LOADER | 3CX/3CX PLUS/3CX PRO

Gross power: 55-69kW (76-92hp) Maximum dig depth: 5.65m Operating weight: 7660-8185kg





3CX PLUS

The 3CX PLUS has a powerful 68.6kW Turbo engine with high torque, providing high performance loading on site and on the road.



3CX

The 3CX features a high performing 55kW engine, providing high torque with maximum efficiency. This makes it the ideal site machine.



PLUS

3CX PRO

The 3CX PRO is the ultimate performing machine with new seat mounted excavator controls for optimum ease of use and controllability.

EASY IN A HARD WORLD

In a world of tough working conditions where everything's hard going, the JCB 3CX range makes things easy. That's because it's been tailored to your applications, your business, your world. With a new cab, redesigned around the operator, and a host of new features developed with productivity in mind. We designed it to be easy to operate, easy to maintain and easy to save money. Quite simply, the JCB 3CX has been designed to move more material for less cost. Your world is hard enough. JCB just made it a whole lot easier.



EFFICIENCY MADE EASY

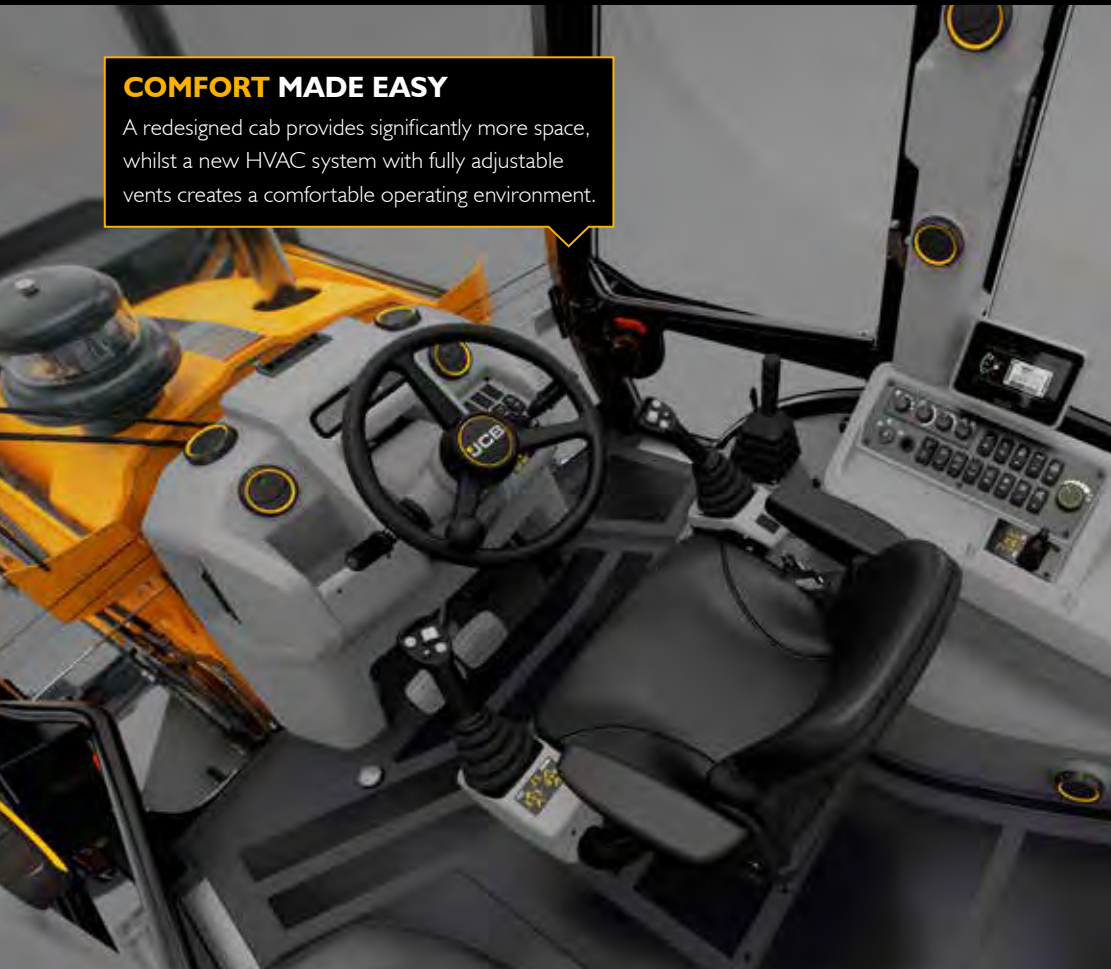
Variable displacement piston pump as standard maximises fuel efficiency whilst loading, roading or excavating. Auto-idle & auto-stop further reduce fuel wastage.

PRODUCTIVITY MADE EASY

New hammer and bi-directional auxiliary circuits allow the 3CX to utilise a wider range of attachments, whilst an optional extending dipper increases the digging range.

COMFORT MADE EASY

A redesigned cab provides significantly more space, whilst a new HVAC system with fully adjustable vents creates a comfortable operating environment.



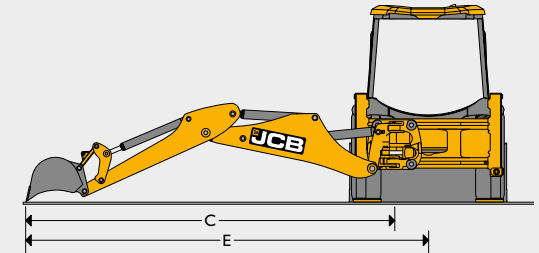
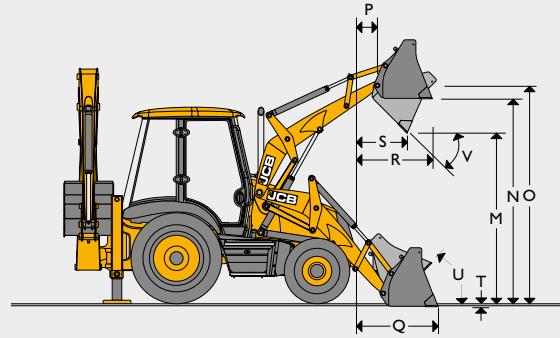
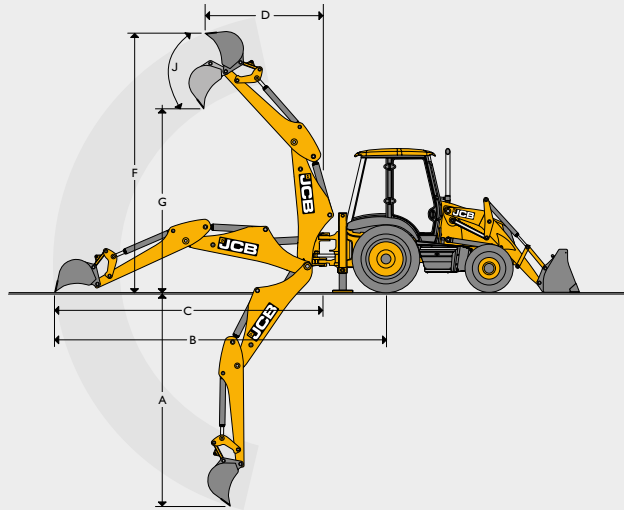
OPERATING MADE EASY

Servo controls (3CX PRO) and single loader lever (3CX, 3CX PLUS) enhance ease of use. Directional control switch enables changing direction whilst operating the loader end.

SAFETY MADE EASY

A host of new features including ROPS/FOPS cab as standard, in cab boom lock and battery isolator provide improved operator safety.

EXCAVATOR/LOADER PERFORMANCE



Model	3CX		3CX PLUS				3CX PRO				
	Sideshift	Centremount	Sideshift	Centremount	Extradig		Sideshift	Centremount	Extradig		
Dipper	Fixed	Fixed	Fixed	Fixed	Retracted	Extended	Fixed	Fixed	Retracted	Extended	
Excavator performance											
A Max dig depth	m	4.29	4.29	4.29	4.29	4.45	5.65	4.29	4.29	4.45	5.65
B Reach-ground level to rear wheel centre	m	6.67	6.67	6.67	6.67	6.96	8.16	6.67	6.67	6.96	8.16
C Reach-ground level to slew centre	m	5.33	5.32	5.33	5.32	5.41	6.61	5.33	5.32	5.41	6.61
D Reach at full height to slew centre	m	1.94	1.94	1.94	1.94	2.31	3.51	1.94	1.94	2.31	3.51
E Side reach to centre line of machine	m	5.85	5.85	5.85	5.85	5.57	6.77	5.85	5.85	5.57	6.77
F Max. working height	m	5.23	5.23	5.23	5.23	5.24	6.44	5.23	5.23	5.24	6.44
G Max. load over height	m	3.57	3.57	3.57	3.57	3.10	4.3	3.57	3.57	3.10	4.3
J Bucket rotation – power	degrees	203°	203°	203°	203°	203°	203°	203°	203°	203°	203°
Loader performance											
M Dump height	m	2.91		2.91				2.91			
N Load over height	m	3.35		3.35				3.35			
O Pin height	m	3.59		3.59				3.59			
P Pin forward reach	m	0.43		0.43				0.43			
Q Reach at ground	m	1.43		1.43				1.43			
R Max. reach at full height	m	1.25		1.25				1.25			
S Reach at full height – bucket dumped	m	0.89		0.89				0.89			
T Below ground level dig depth	m	0.06		0.06				0.06			
U Rollback at ground	degrees	45°		45°				45°			
V Dump angle	degrees	39°		39°				39°			
Shovel breakout force	kgf	6219 (GP shovel) 6010 (6-in-1 shovel)									
Shovel capacity		1.0m ³ (6-in-1 shovel) / 1.1m ³ (GP shovel)									
Lift capacity to full height	kg	3495									

ENGINE			
	3CX	3CX PLUS	3CX PRO
Model	JCB 448, 4 cylinder, water cooled, diesel, naturally aspirated	JCB 444, Turbocharged, 4 cylinder, water cooled, diesel	JCB 444, Turbocharged, 4 cylinder, water cooled, diesel
No. of cylinders	4	4	4
Displacement	4.8 litres	4.4 litres	4.4 litres
Gross power	56kW (76hp) @ 2200rpm	68.6 kW (92hp) @ 2200rpm	68.6 kW (92hp) @ 2200rpm
Max torque	305Nm @ 1100rpm	408Nm @ 1200rpm	408Nm @ 1200rpm

Auto stop as standard automatically shuts off the engine when idle after 6 minutes, saving on wear and tear and also reducing fuel usage.

Auto idle reduces fuel consumption and unnecessary wear and tear by automatically reducing engine rpm to low idle after a preset time if no hydraulic services are active.

ECO/Power modes adjusts throttle speeds to reduce fuel consumption by up to 24%.

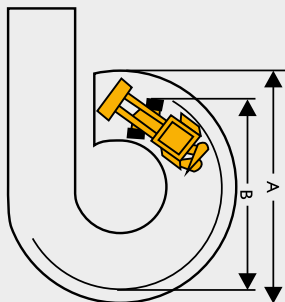
SERVICE CAPACITIES			
	3CX	3CX PLUS/3CX PRO	3CX/3CX PLUS/3CX PRO
	Sideshift	Sideshift	Centremount
Cooling system	ltr	20	20
Fuel tank	ltr	130	130
Engine oil with filter	ltr	15	20
Gearbox with filter	ltr	20	20
Rear axle	ltr	20	20
Front axle	ltr	20	20
Hydraulic system incl. tank	ltr	120	120

TRANSMISSION			
	3CX	3CX PLUS	3CX PRO
Manufacturer	JCB	JCB	JCB
Type	EasyShift	EasyShift	EasyShift
Gears forward/reverse	4 forward / 4 reverse	4 forward / 4 reverse	4 forward / 4 reverse
Shuttle control – F/R	Power shuttle / FNR	Power shuttle / FNR	Power shuttle / FNR
Travel speeds*	kph	kph	kph
Gear 1	5.7	5.7	5.7
Gear 2	11.7	11.7	11.7
Gear 3	22.0	22.0	22.0
Gear 4	37.0	40.0	40.0

- Torque convertor stall ratio is 2.52:1 (4WD).
- JCB EasyShift: Ease of operation for better productivity with effortless gear shift.
- Easy to use, low effort column mounted electric gear change.
- FNR switch on loader lever for easy direction change, without removing hand from loader lever.
- On-the-move gear changes are possible.
- Semi automatic kick down button on floor. While loading in second gear, operator can shift to first gear with push of a button, and automatically shift to second gear as soon as reverse gear is engaged.
- Gear indicator shown digitally on front display console.

*Speeds may vary dependant on tyre selection.

TURNING CIRCLE



* Standard bucket in travel position

Inner wheels braked	
	4WD
A Outside loader bucket	4.89m
B Outside wheels	3.60m
Inner wheels not braked	
A Outside loader bucket	5.45m
B Outside wheels	4.16m

STEERING	Front wheel full power hydrostatic system utilising a dedicated circuit. In the event of engine failure, emergency steering is maintained (all models).								
BRAKES	<p>Service: Hydraulically actuated dual line, self adjusting, oil immersed, multi-disc type on the rear axle, well protected from dirt, water etc. requiring no maintenance.</p> <p>Parking: Hand operated, disc brake on rear axle input disc.</p> <p>Brake pedal: Two independently operable foot pedals enable machine to manoeuvre in tight spaces. Pedals are linked together for normal use.</p> <p>2WD / 4WD: Electrical selection between 2WD / 4WD allows on-the-move changes.</p>								
CAB	Fully adjustable seat and soft touch steering wheel. 'Walk through' two door access. Seat belt, large convex rear view mirror, interior light front screen wiper, horn, hazard warning system, tool box. Instrumentation panel includes engine speed, engine hours, speedometer, fuel level, water temperature gauge and 12v connection. Audible and visual fault warning system for alternator charge, coolant temperature, engine oil pressure, blocked air filter, transmission oil pressure and temperature, and hand brake on. Air conditioning standard on 3CX PLUS and PRO. 2 x USB-A charging ports. Electronic throttle. Bluetooth radio standard.								
AXLES	<p>Rear: Drive axle rigidly mounted, incorporates JCB Max-Trac torque proportioning differential, driven by short propshaft from gear box.</p> <p>Front: 4WD, Steer axle, centrally pivoted with oscillation angle of 16°.</p>								
ELECTRICAL AND INSTRUMENTATION	<p>12 volt negative ground, utilising wiring and connectors meeting IP69 water ingress test standard. Central fuse panel.</p> <p>LiveLink standard on all models. Guide me home lights switches on the external lights for 30 seconds to assist operator to walk safely after parking machine.</p> <p>Battery: 130 A/hr, 900 CCA. Alternator: 90 amp standard. Front working lights: 2 fixed. Rear working lights: 2 fixed and 2 adjustable</p> <p>1025 lumen LED worklights standard across all models. Auto stop. Auto idle.</p>								
TYRES (TUBED TYPE)	<p>4WD</p> <p>Front: 12.5x18-12 ply</p> <p>Rear: 16.9x28-12 ply</p>								
OPERATING WEIGHT	<p>Sideshift models: 3CX: 7660kg PLUS/PRO: 7800kg</p> <p>Centremount models: 3CX: 8045kg PLUS/PRO: 8185kg</p>								
HYDRAULIC SYSTEM	<table border="1"> <thead> <tr> <th></th> <th>3CX/3CX PLUS/3CX PRO</th> </tr> </thead> <tbody> <tr> <td>Pump</td> <td>Variable flow piston</td> </tr> <tr> <td>Flow (lpm)</td> <td>150</td> </tr> <tr> <td>Pressure (Bar)</td> <td>250</td> </tr> </tbody> </table>		3CX/3CX PLUS/3CX PRO	Pump	Variable flow piston	Flow (lpm)	150	Pressure (Bar)	250
	3CX/3CX PLUS/3CX PRO								
Pump	Variable flow piston								
Flow (lpm)	150								
Pressure (Bar)	250								



ONE COMPANY, OVER 300 MACHINES.

Your nearest JCB dealer

BACKHOE LOADER 3CX/3CX PLUS/3CX PRO

Gross power: 55-69kW (76-92hp) Maximum dig depth: 5.65m Operating weight: 7660-8185kg

JCB Sales Limited, Rocester, Staffordshire, United Kingdom ST14 5JP.

Tel: +44 (0)1889 590312 Email: salesinfo@jcb.com

Download the very latest information on this product range at: www.jcb.com

©2024 JCB Sales. All rights reserved. No part of this publication may be reproduced, stored in a retrieval system, or transmitted in any form or by any other means, electronic, mechanical, photocopying or otherwise, without prior permission from JCB Sales. All references in this publication to operating weights, sizes, capacities and other performance measurements are provided for guidance only and may vary dependant upon the exact specification of machine. They should not therefore be relied upon in relation to suitability for a particular application. Guidance and advice should always be sought from your JCB Dealer. JCB reserves the right to change specifications without notice. Illustrations and specifications shown may include optional equipment and accessories. All images are correct at time of print. The JCB logo is a registered trademark of J C Bamford Excavators Ltd.

