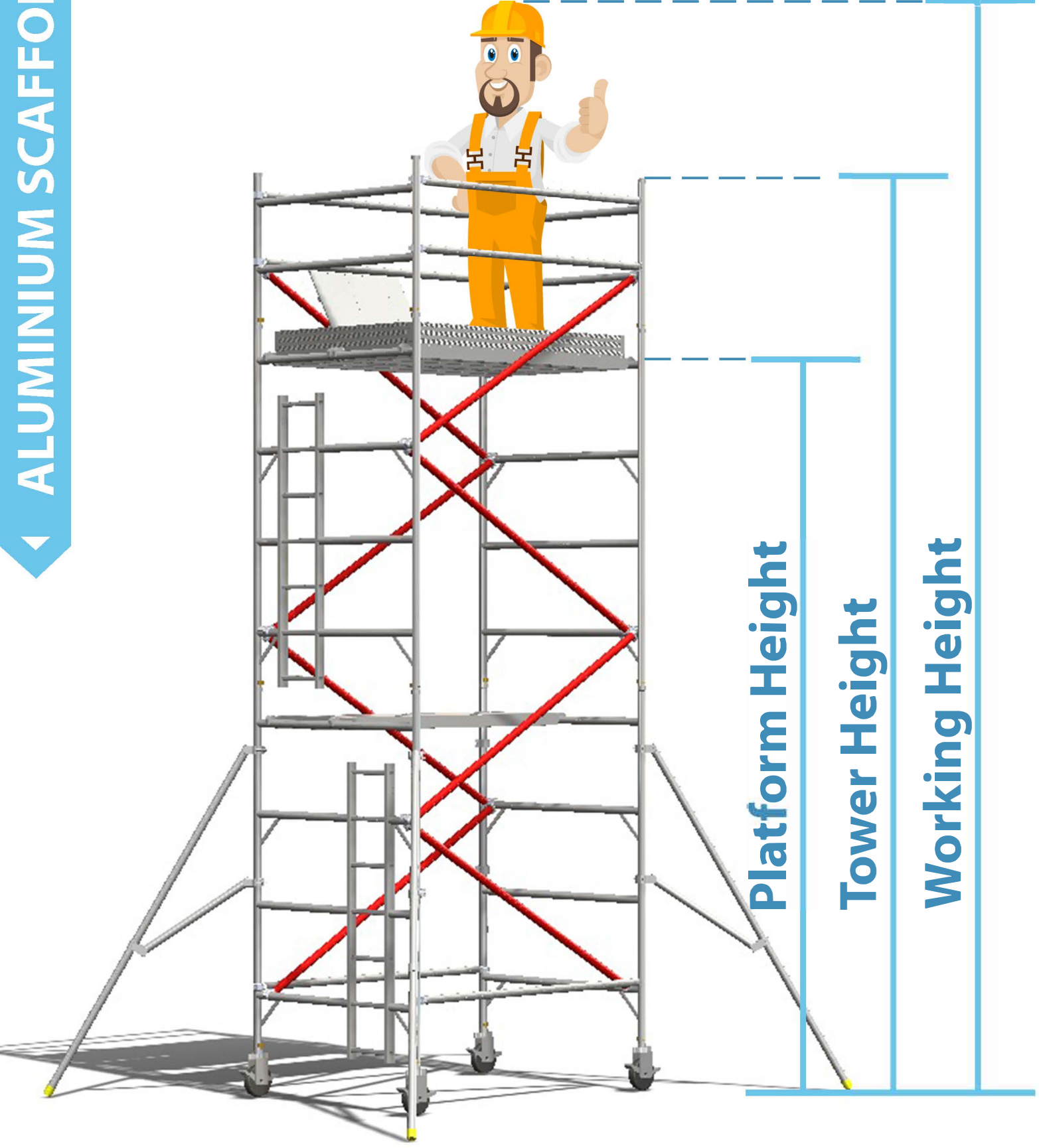


# ALUMINIUM SCAFFOLD TOWER



**Platform Height**

**Tower Height**

**Working Height**

## **Aluminium Scaffold Tower Specification & Details**

1. Load Capacity: SWL 275kg Per Working Level regardless of one or two platforms per level.
2. Thickness of Pipe: 1.75mm, Pole Diameter: 50.75mm Certified to BS EN 1004:2004 Class 3 8/12 XXXD
3. 8" Castor Static Load: 800kg/pc
4. Structure Whole Tower: 1 Ton Load
5. Highest Tower Below 12.05m Double Width
6. Highest Tower Below 10.34m Single Width
7. Aluminium Grade 6082-T6

## **Information for Aluminium Scaffold**

1. Designation: Class 3: 2kN/M<sup>2</sup> around 200KG/M<sup>2</sup>
2. Maximum Height Indoor: 12.00m
3. Maximum Height Outdoor: 8.00m
4. Maximum Platform Height: 12.05m Double Width
5. Maximum Platform Height: 10.43m Single Width
6. 275kg Maximum evenly distribute safe working load per level
7. Frame rung to rung 570mm (center to center)



**Our company specializes in sales and rental of steel and aluminium scaffolds which are used for construction related activities. It can also be used for carrying out upgrading and maintenance work for private houses, hotels, factory, shipyard, oil and gas industries.**

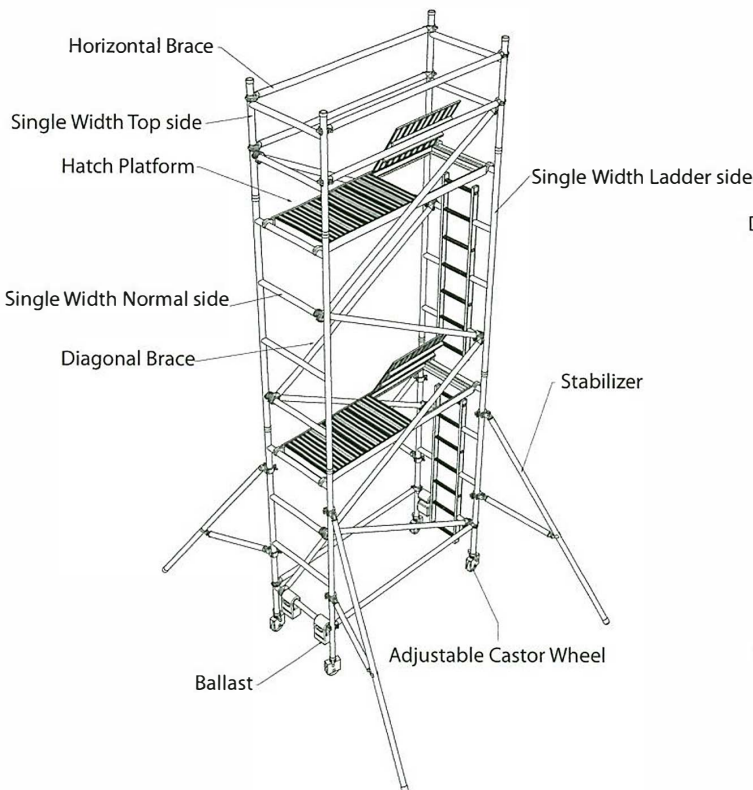
### PRO SNAP

- (Telescopic podium with multiple working platform)
- \* Working Height - 2.3m ~ 3.5m
- \* Length - 1.38m
- \* Width - 0.73m
- \* Tower Height - 2.26m

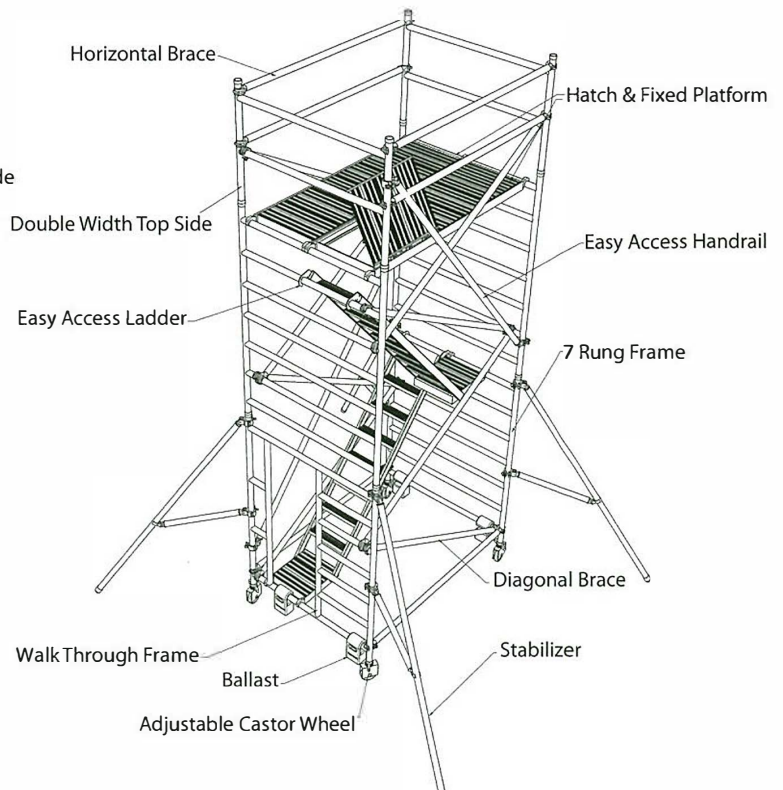


### MINI SNAP

Smaller and compactable than our standard tower. Foldable scaffold designs for indoor interior, mechanical and electrical installation work. Fast setting up, better mobility and easy access.



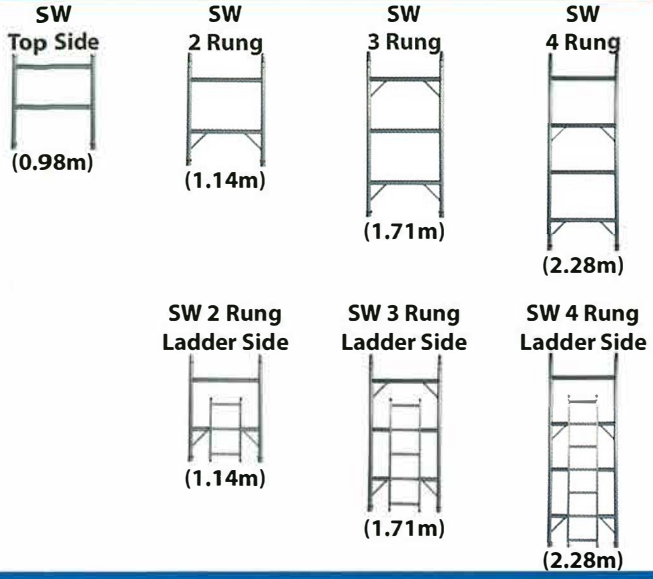
**SINGLE WIDTH ALUMINIUM TOWER (0.85M)**



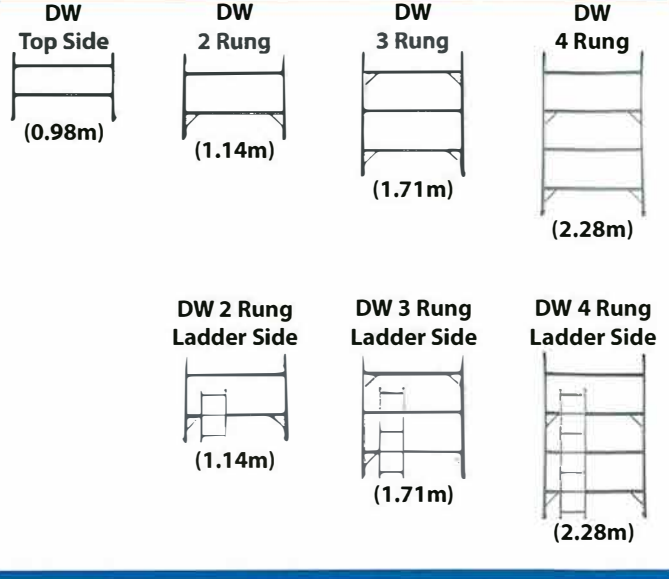
**DOUBLE WIDTH ALUMINIUM TOWER WITH EASY ACCESS LADDER(1.48M)**



## Frame SW: Single Width (0.85m)



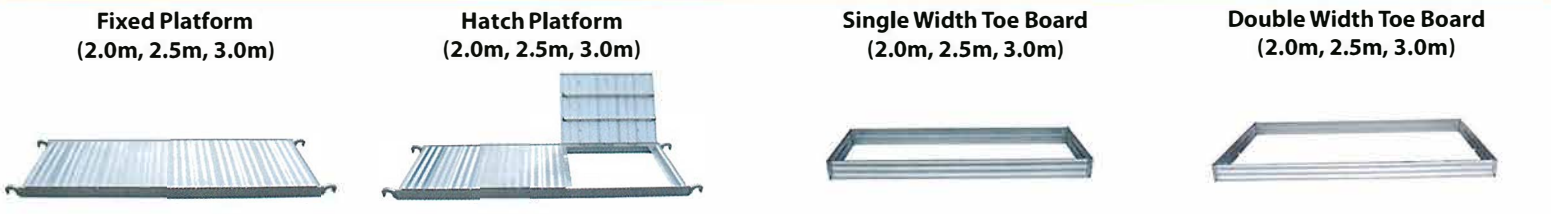
## Frame DW: Double Width (1.48m)



## Brace & Stabilizer Bar



## Aluminium Platform & Toe Board



## Adjustable Leg & Easy Access



## Accessories

