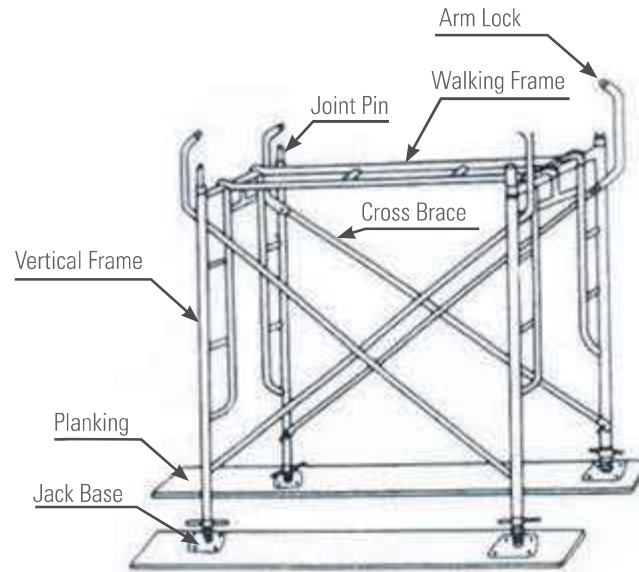
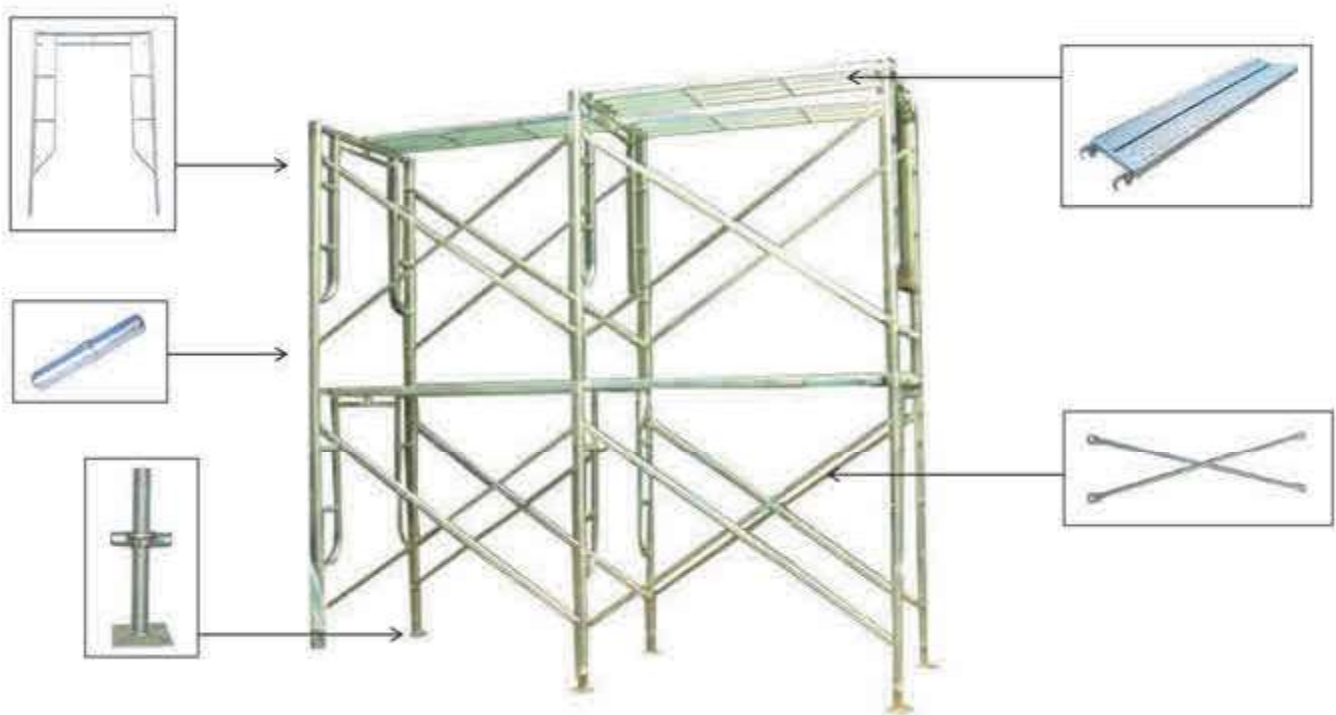


Steel Frame Scaffold Basic Assembly



Parts

Joint Pin, Vertical Frame, Walking frame, Arm Lock, Cross brace, Planking, Jack Base



1. Lay wooden planks in horizontal position and install jack base.
2. Insert vertical frames into jack base as per drawing.
3. Insert arm lock to ensure Stability and Safety.
4. Fix the cross braces to the frames.
5. Fix the lock into walking frame. It is recommended that walking frame be installed in alternate 3-5 stories.
6. Insert joint pins into each ends of the frame and repeat the above process for greater heights.