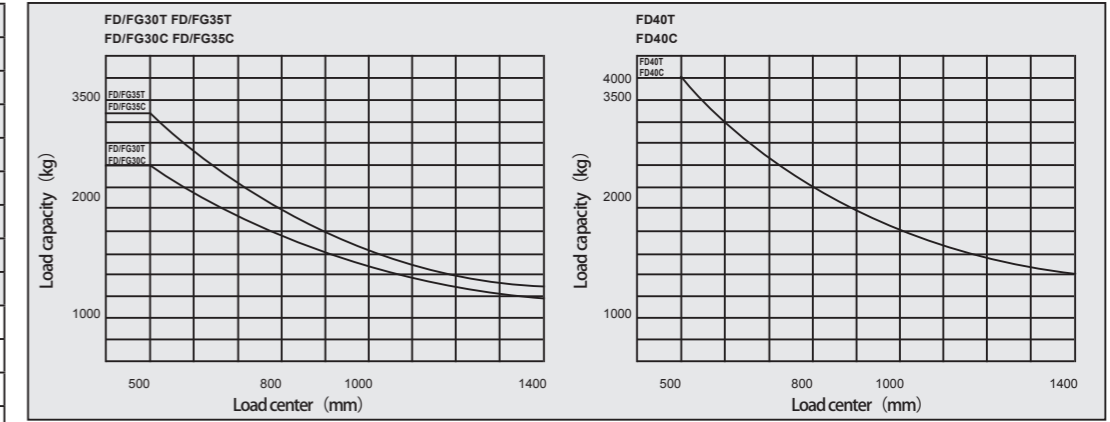
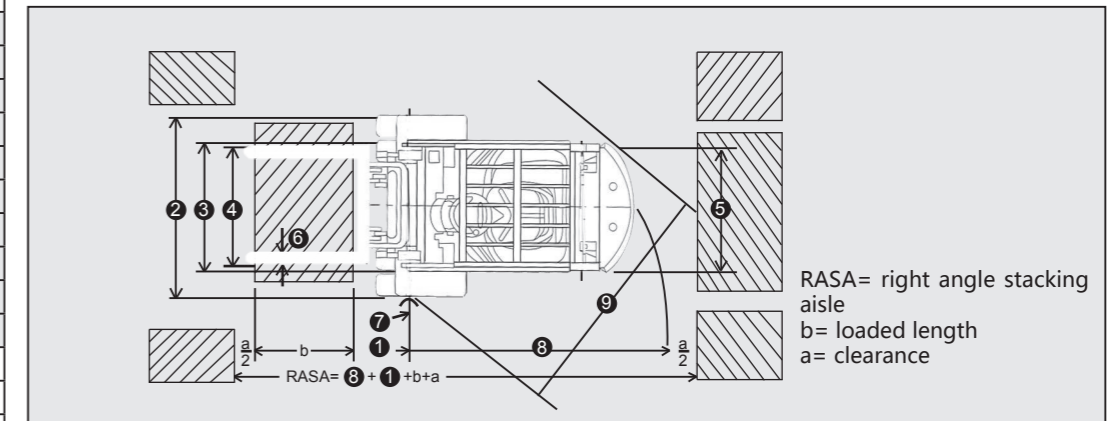


■ Main Truck Specifications

Specifications				SOCMA									
				FG30T FG30C	FG35T FG35C	FD30T FD30C	FD35T FD35C	FD30T FD30C	FD35T FD35C	FD40T FD40C			
1	Manufacturer			SOCMA									
2	Model	Power shift T/M Manual shift T/M		FG30T FG30C	FG35T FG35C	FD30T FD30C	FD35T FD35C	FD30T FD30C	FD35T FD35C	FD40T FD40C			
3	Load capacity	kg		3000	3500	3000	3500	3000	3500	4000			
4	Load center	mm		500		500		500		500			
5	Power unit			Gasoline/LPG		Diesel		Diesel		Diesel			
6	Operator type			Driver/seat		Driver/seat		Driver/seat		Driver/seat			
7	Tire type	Front/rear		Pneumatic		Pneumatic		Pneumatic		Pneumatic			
8	Wheel	Front/rear		2/2		2/2		2/2		2/2			
Dimension		9	Max. lifting height	mm	3000		3000		3000		3000		
		10	Free lift	mm	150		150		150		150		
		11	Fork size	L × W × T	mm	1070×125×45	1070×125×50	1070×125×45	1070×125×50	1070×125×45	1070×125×50	1070×150×50	
		12	Tilt angle	Mast forward/backward	deg	6 / 12		6 / 12		6 / 12		6 / 12	
		13	Overall length(without fork)	mm		2705	2760	2705	2760	2705	2760	2870	
		14	Total width	mm		1225	1285	1225	1285	1225	1285	1365	
		15	Mast height (fork lowering)	mm		2075		2075		2075		2150	
		16	Overall height fork raised(with backrest)	mm		4250		4250		4250		4250	
		17	Height to head guard	mm		2140		2140		2140		2140	
		18	Turning radius(outside)	mm		2445	2495	2445	2495	2445	2495	2530	
		19	Load distance	mm		480	485	480	485	480	485	485	
		20	Right angle stacking aisle(not add load length&clearance)	mm		2925	2975	2925	2975	2925	2975	2940	
Performance		21	Max. travelling	full load	km/h	18		18		18		16.5	
		no load		km/h	19.5		19.5		19.5		18		
		22	Speed	Lifting	full load	mm/s	450	450	450	450	450	450	380
					no load	mm/s	500	500	500	500	500	500	480
		23	Lowering	full load	mm/s	450	450	450	450	450	450	450	
				no load	mm/s	450	420	450	420	450	420	420	
24	Max. drawbar pull	Power shift T/M	full/no load	kg	1300/1000	1800/1000	1500/1000	2200/1000	1500/1000	2100/1000	2200/1000		
		Manual shift T/M	full/no load	kg	1350/1000	1900/1000	1550/1000	2200/1000	1550/1000	2100/1000	2200/1000		
25	Gradeability at 1.6km/h	Power shift T/M	full/no load	%	17/20	17/20	18/20	18/20	18/20	18/20	18/20		
		Manual shift T/M	full/no load	%	17/20	17/20	18/20	18/20	18/20	18/20	18/20		
Weight		26	Truck weight	kg	4300	4700	4380	4780	4380	4780	5050		
		27	Weight distribution	Full load	front axle	kg	6450	7340	6490	7380	6490	7380	7890
					rear axle	kg	850	860	890	900	890	900	1140
		28	No load	front axle	kg	1630	1790	1670	1820	1670	1820	1810	
rear axle	kg			2670	2910	2700	2960	2700	2960	3240			
Chassis & Wheels		29	Number	front/rear	2 / 2		2 / 2		2 / 2		2/2		
		30	Tires	Model	front	28×9-15-12PR		28×9-15-12PR		28×9-15-12PR		250-15-16PR	
				rear	6.50-10-10PR		6.50-10-10PR		6.50-10-10PR		6.50-10-10PR		
		32	Wheelbase	mm	1700		1700		1700		1800		
		33	Tread	Front	mm	1000	1060	1000	1060	1000	1060	1120	
Rear	mm			970		970		970		970			
34	Ground clearance	At lowest point(mast)	mm	120		120		120		120			
		Frame	mm	135		135		135		135			
35	Brake	Service brake		Hydraulic-foot pedal		Hydraulic-foot pedal		Hydraulic-foot pedal		Hydraulic-foot pedal			
		Parking brake		Mechanical-hand lever		Mechanical-hand lever		Mechanical-hand lever		Mechanical-hand lever			
Drive line		36	Battery	V/AH	12/60		12/80		12/80		12/80		
		37	Engine	Model		NISSAN K21	NISSAN K25	ISUZU C240	Mitsubishi S4S	ISUZU C240	DACHAICA498	ISUZU 4JG2	
				Rated power	KW/rpm	31.2/2250	37.4/2300	34.3/2500	35.4/2250	34.3/2500	42/2450	44.8/2450	
				Rated torque	N-m/rpm	144/1600	177/1600	138/1800	170/1700	138/1800	190/1800	186/1800	
				Number of cylinder		4	4	4	4	4	4	4	
38	Fuel tank capacity	L	70		70		70		70				
39	Transmission	Speed forward/backward	Power shift T/M	1-1 power shift T/M		1-1 power shift T/M		1-1 power shift T/M		1-1 power shift T/M			
			Manual shift T/M	2-2 manual shift T/M		2-2 manual shift T/M		2-2 manual shift T/M		2-2 manual shift T/M			
40	Operating pressure	Hydraulic system pressure	kg/cm ²	180		180		180		180			



Notes:
 Vertical axis represents load capacity; Horizontal axis shows load center, Load center are determined from front face of the fork.
 Capacity based on a 1000mm cube load configuration with the center of gravity at the true center of the cube, and standard fork.
 The load capacity will be reduced while the mast tilt forward or loading with long fork or lifting transformable width of goods.
 Getting the load capacities at the various load centers timely via the load curve.
 SOCMA's products and specifications change without prior notice.
 SOCMA forklift truck has equipped with standard safety device.
 SOCMA is not responsible for the damage occurred by removing its safety device.



Specifications(front single tires)

Model	FG/D30C - FG/D30T (mm)	FG/D35C - FG/D35T (mm)	FD40C - FD40T (mm)
① Front Overhang	480	485	485
② Total Width	1225	1285	1365
③ Front Track	1000	1060	1120
④ Fork Spread(outside)	250~1090	250~1190	250~1190
⑤ Rear Track	970	970	970
⑥ Fork Width	125	125	150
⑦ Turning Radius(inside)	200	200	200
⑧ Turning Radius(outside)	2445	2495	2530
⑨ Right Angle Turning Aisle	2155	2205	2450

Standard equipments:

Wide view mast, Cyclone air cleaner, Load one-way valve, Preheat indicator, King Pin, Engin-start switch, Standard backrest, Long-life tires, Overhead guard, Oil and water separator, Power steering, Adjustable steering column, Radiator water tank, Side roller, Standard carriage, Oil temperature cooler, Headlamp and steering indicator lamp, Charge indicator lamp, Hour meter, Oil warning light of engin, Water temperature gauge, Fuel gauge, Reversing light, Electric horn, Neutral-safety switch, Rear mirror, Tools, Reversing Buzzer, General seat.

Options:

Fire extinguisher, cab, Heater unit, Rear work light, Solid tires, Fireproof silencer, Upper exhaust pipe, Tilt cylinder jacket, Rotating warning light, LPG Conversion device, Pre-filtration air intake device.

Attachments:

Side shifter, Fork positioned, Carpet boom, Fork extension, Long fork flat clamp, Others

Note: There's also Yanmar 4TNE98, Chinese Xinchai C495 diesel engine for option, and the specs will be little different.