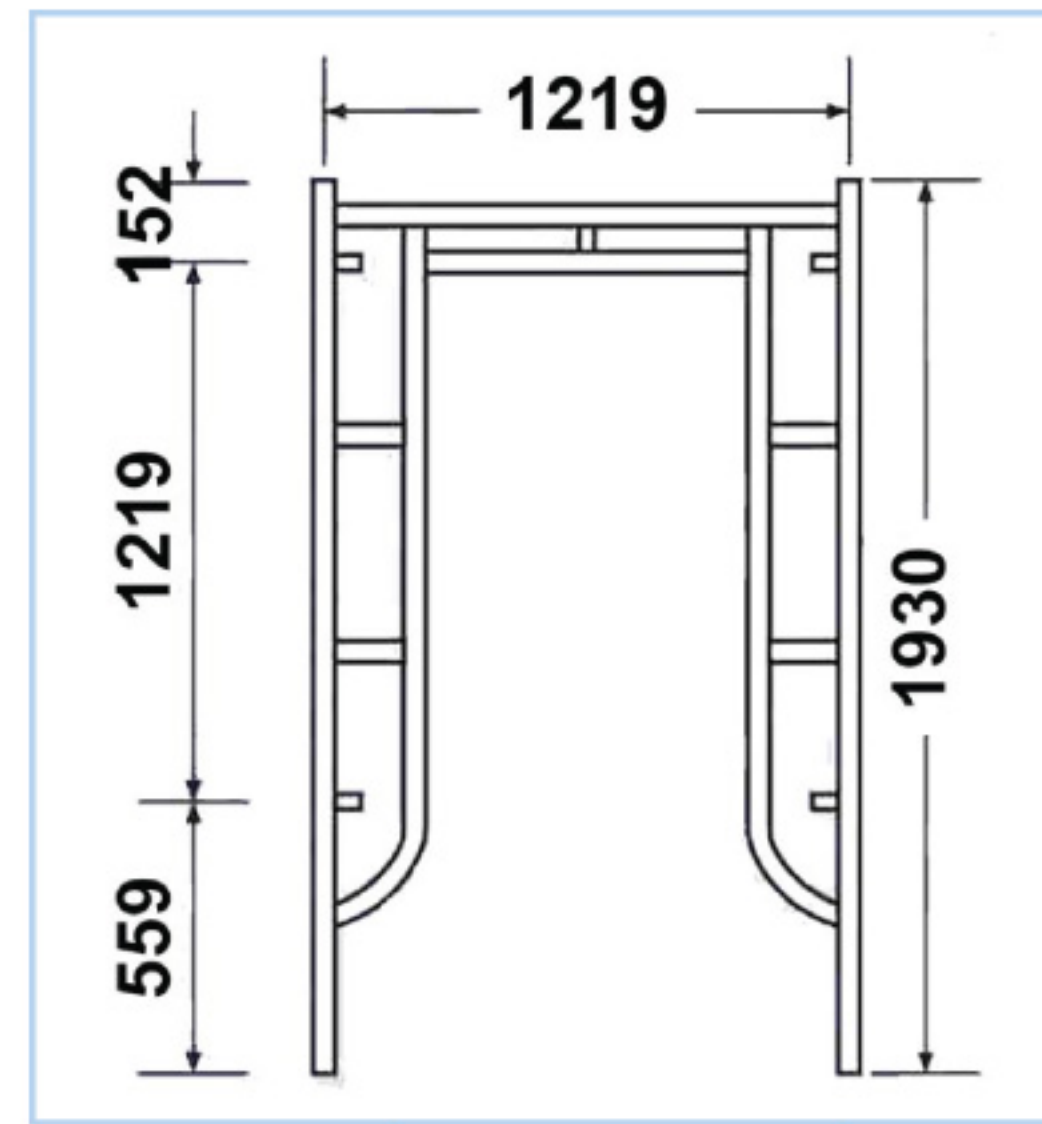


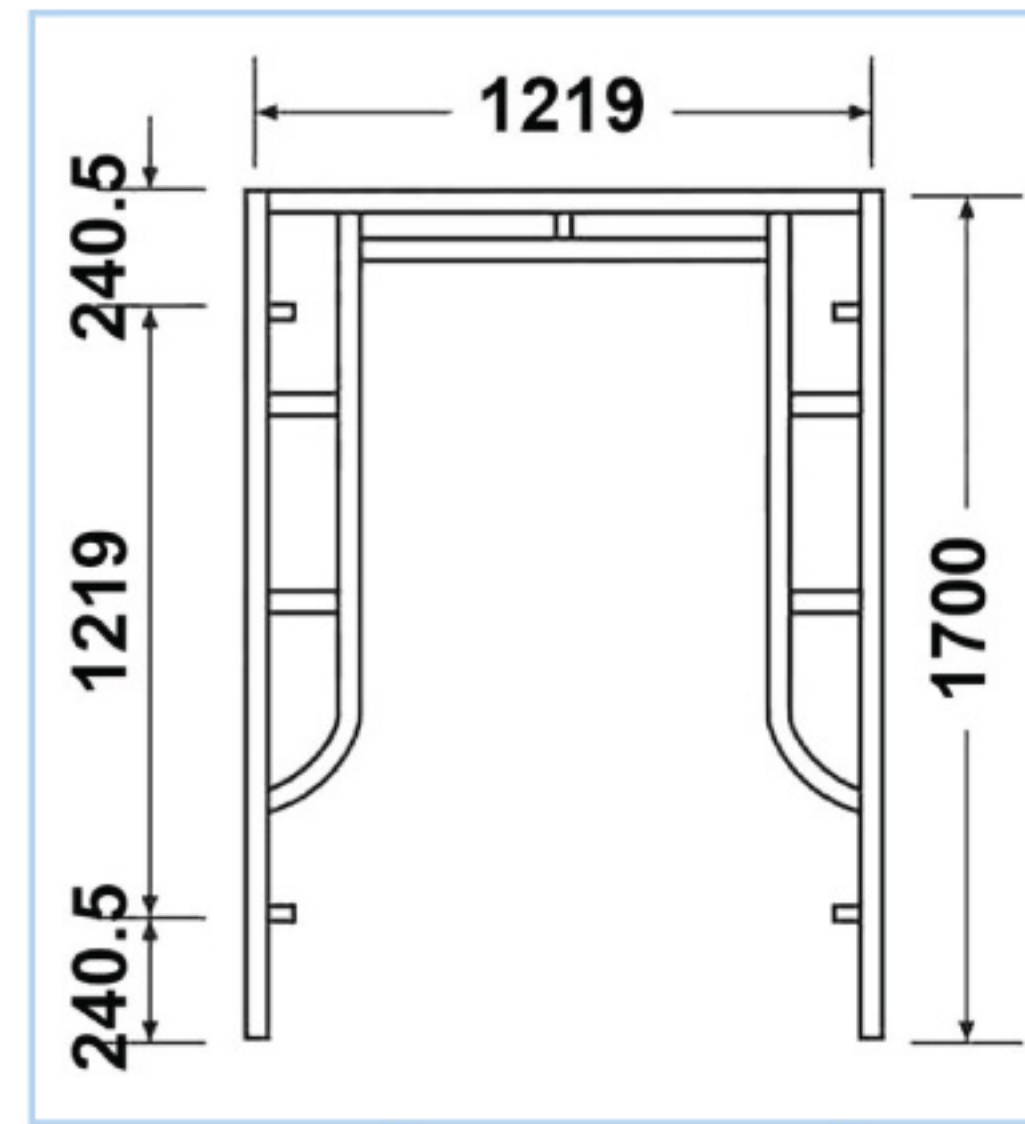
SCAFFOLDING FRAME SYSTEM

SCAFFOLDING FRAME SYSTEM

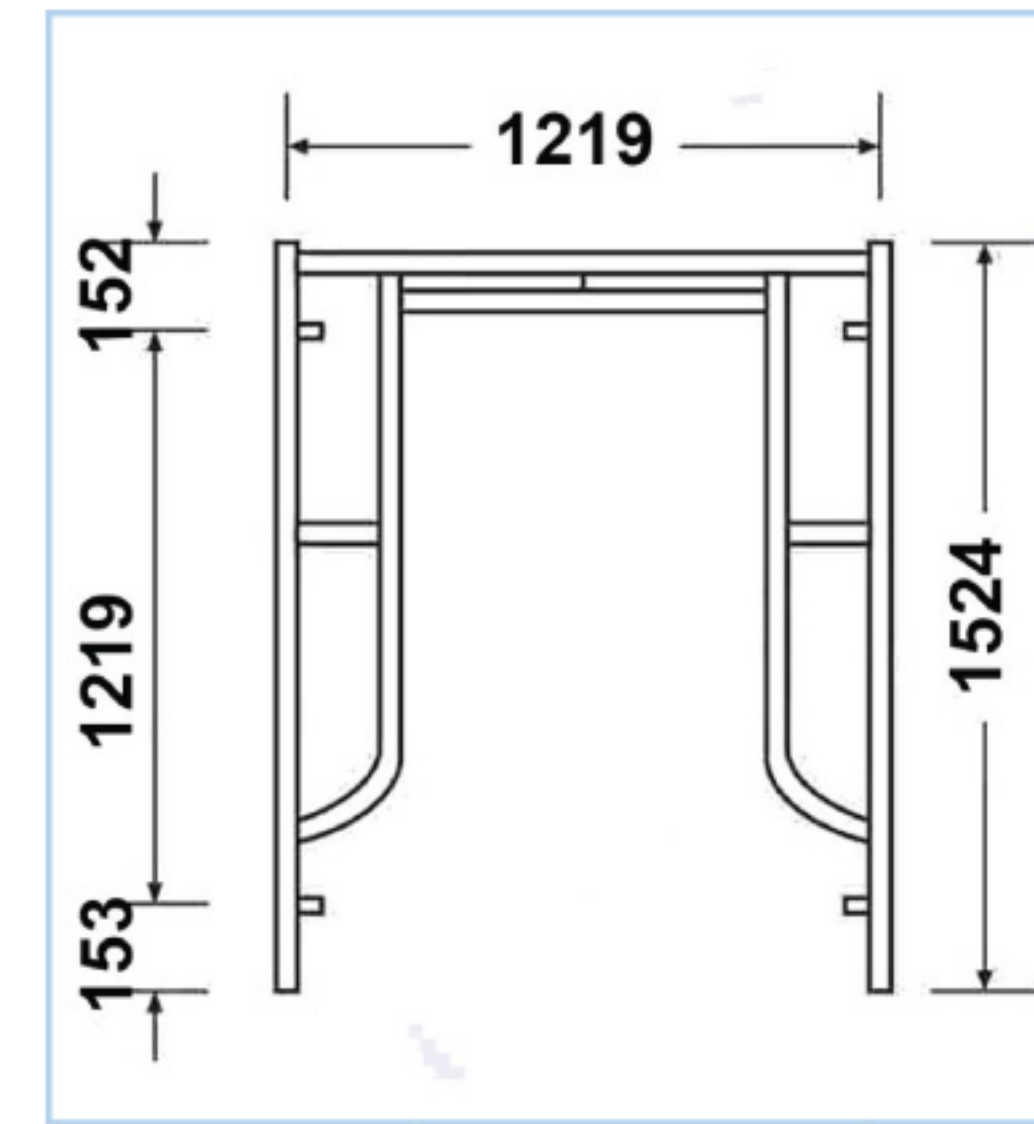
MAIN FRAME



| Code | Dimension | Kg |
|----------|-------------|------|
| FT-12190 | 1219 x 1930 | 17.2 |

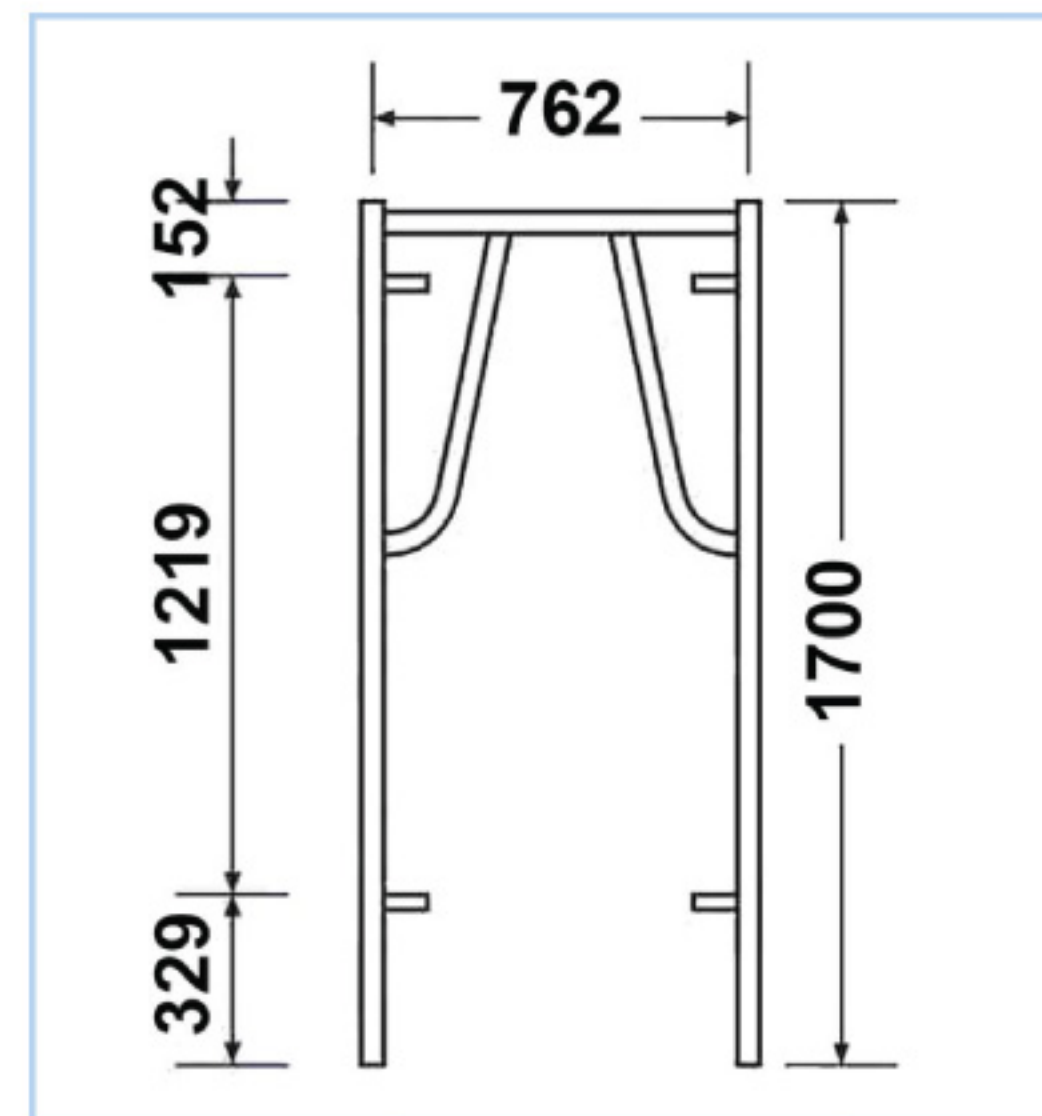


| Code | Dimension | Kg |
|----------|-------------|------|
| FT-12170 | 1219 x 1700 | 15.4 |



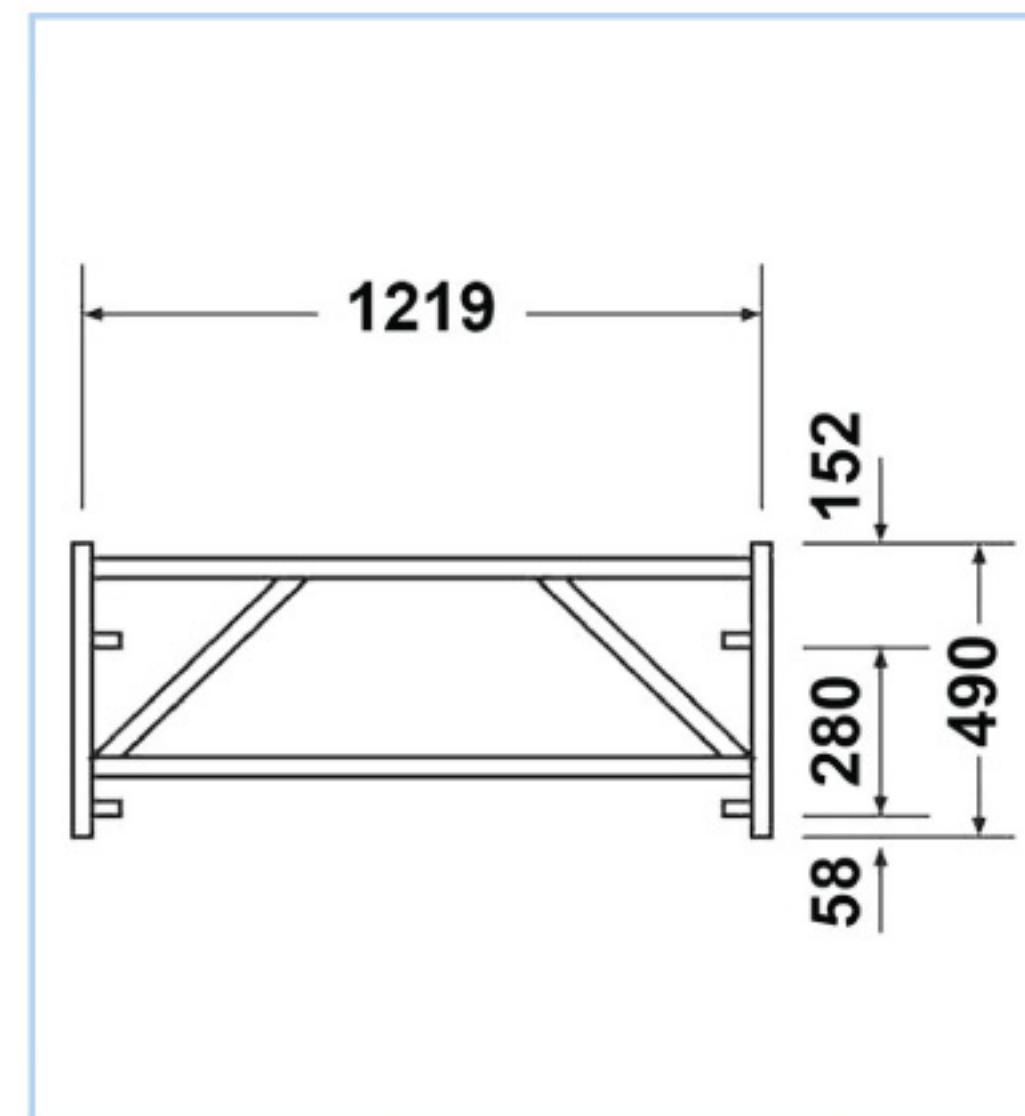
| Code | Dimension | Kg |
|----------|-------------|------|
| FT-12150 | 1219 x 1524 | 15.1 |

COMPACT FRAME



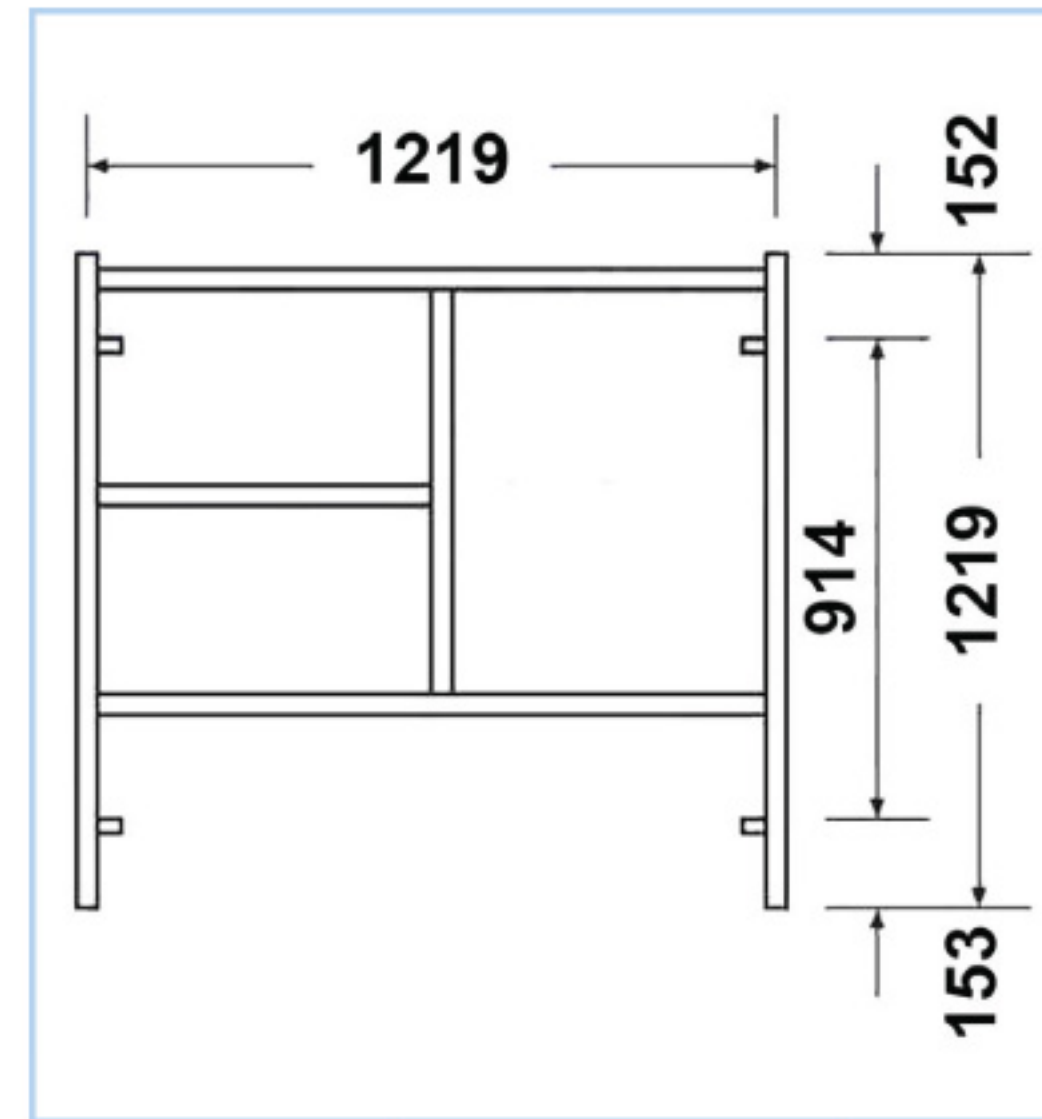
| Code | Dimension | Kg |
|---------|------------|------|
| FT-717A | 762 x 1700 | 11.5 |

ADJUST FRAME

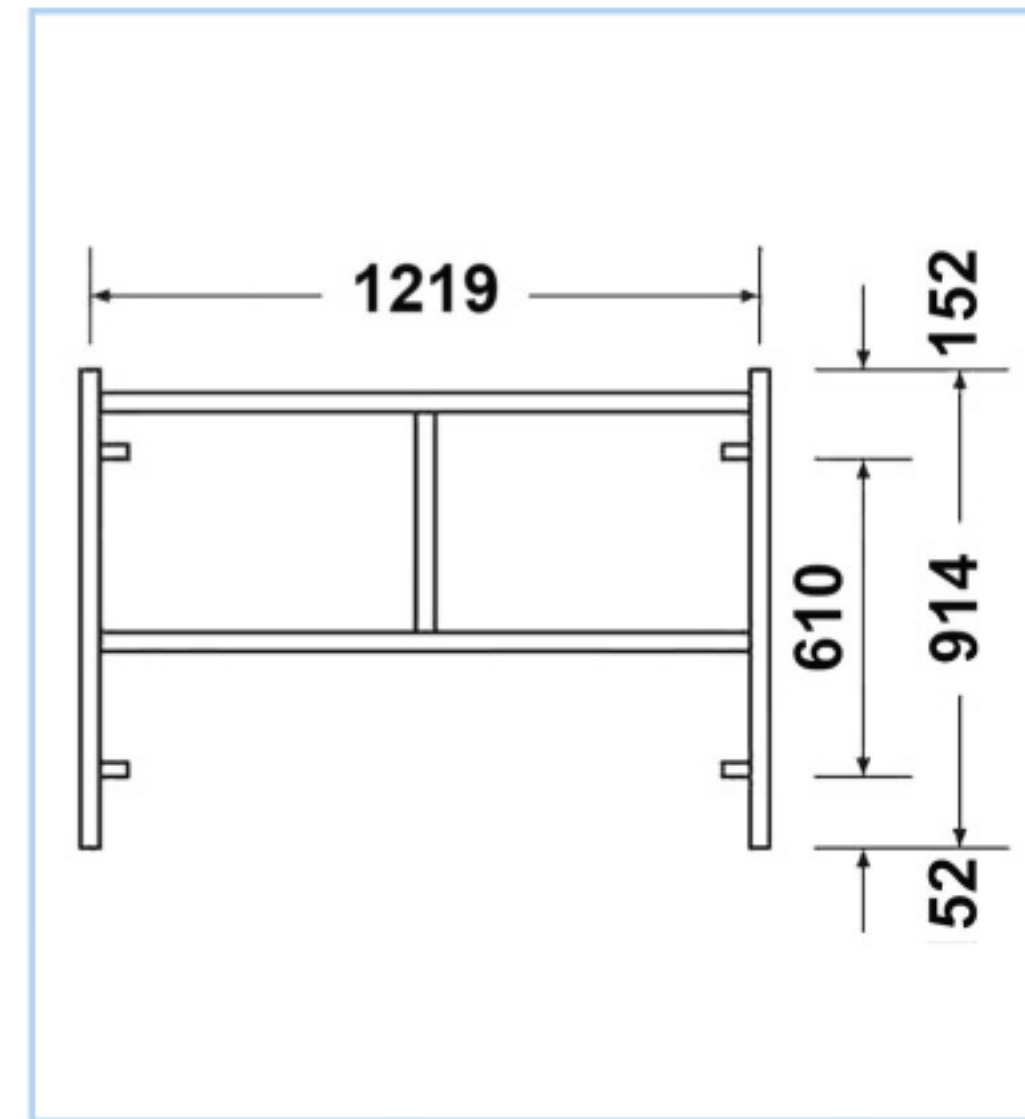


| Code | Dimension | Kg |
|----------|------------|-----|
| FT-1204L | 1219 x 490 | 8.9 |

LADDER FRAME

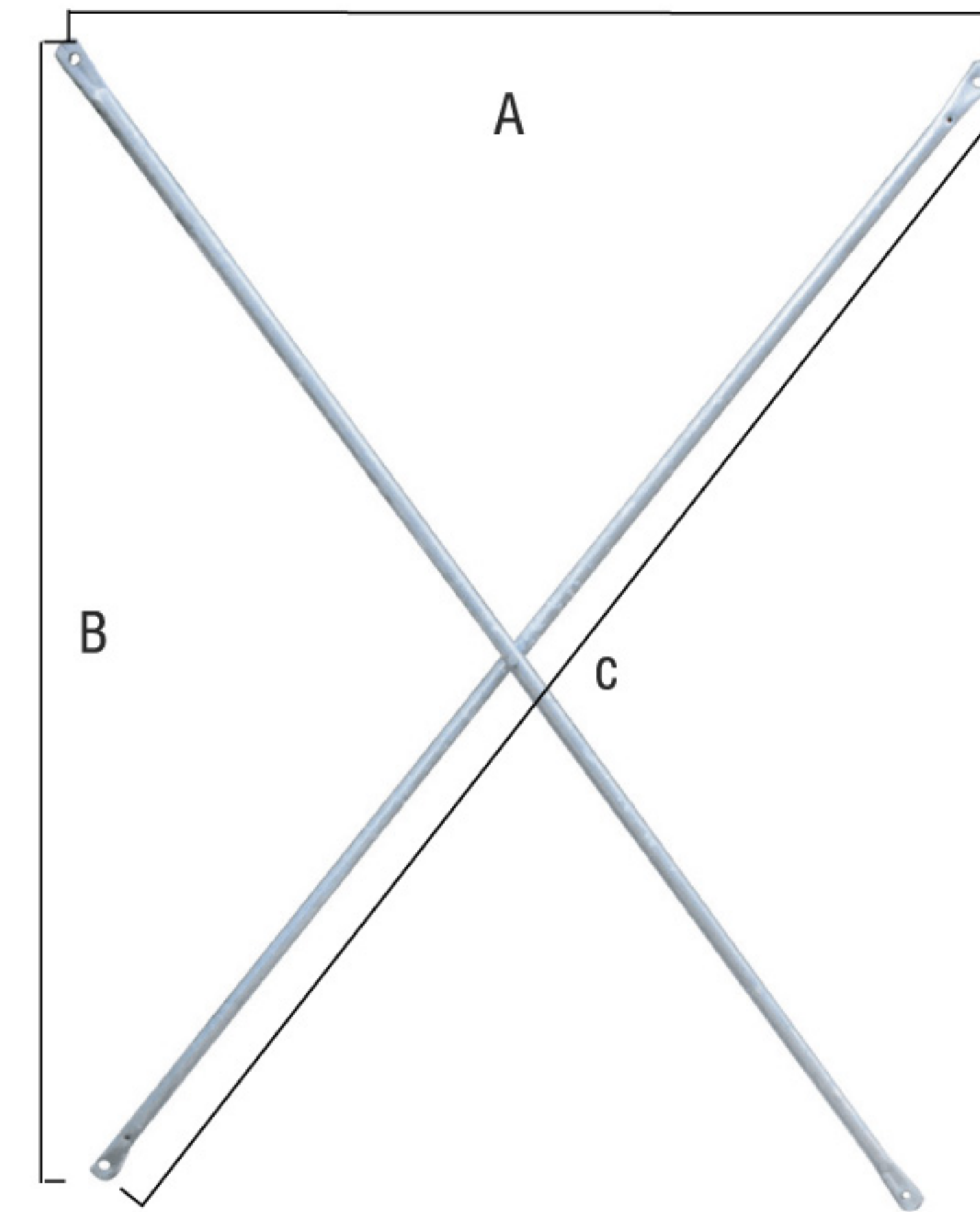


| Code | Dimension | Kg |
|----------|-------------|------|
| FT-1212L | 1219 x 1219 | 12.9 |



| Code | Dimension | Kg |
|----------|------------|-----|
| FT-1209L | 1219 x 914 | 9.3 |

CROSS BRACE



| Code | A | B | C | t. (Kg) |
|---------|------|------|------|---------|
| FX-1812 | 1829 | 1219 | 2198 | 4.2 |
| FX-1809 | 1829 | 914 | 2045 | 3.9 |
| FX-1806 | 1829 | 610 | 1928 | 3.7 |
| FX-1802 | 1829 | 280 | 1850 | 3.5 |
| FX-1512 | 1524 | 1219 | 1952 | 3.7 |
| FX-1509 | 1524 | 914 | 1777 | 3.4 |
| FX-1506 | 1524 | 610 | 1642 | 3.1 |
| FX-1502 | 1524 | 280 | 1550 | 3.0 |
| FX-1212 | 1219 | 1219 | 1724 | 3.3 |
| FX-1209 | 1219 | 914 | 1524 | 2.9 |
| FX-1206 | 1219 | 610 | 1363 | 2.6 |
| FX-1202 | 1219 | 280 | 1251 | 2.4 |
| FX-909 | 914 | 914 | 1293 | 2.5 |
| FX-906 | 914 | 610 | 1099 | 2.1 |
| FX-902 | 914 | 280 | 956 | 1.8 |
| FX-606 | 610 | 610 | 863 | 1.7 |
| FX-602 | 610 | 280 | 671 | 1.3 |

SCAFFOLDING ACCESSORIES

JACK BASE



| Code | Length | Adjustable Range | Kg |
|-------|--------|------------------|-----|
| JJ-60 | 600 | 450 | 2.6 |

U-HEAD JACK



| Code | Length | Adjustable Range | Kg |
|-------|--------|------------------|-----|
| UJ-60 | 600 | 450 | 4.1 |



ARM LOCK

| Code | Dimension | kg |
|------|-----------|------|
| FL-5 | 507.5 | 0.54 |



JOINT PIN

| Code | Kg |
|------|-----|
| PN-1 | 0.6 |



BASE PLATE

| Dimension | Kg |
|---------------|------|
| 48.6 / 42.7mm | 0.65 |



SWIVEL COUPLER

| Type | Dimension | kg |
|---------------|---------------|------|
| Pressed Steel | 48.6 x 48.6mm | 0.67 |
| | 48.6 x 60.5mm | 0.71 |



FIXED COUPLER

| Type | Dimension | kg |
|---------------|---------------|------|
| Pressed Steel | 48.6 x 48.6mm | 0.67 |
| | 48.6 x 60.5mm | 0.71 |



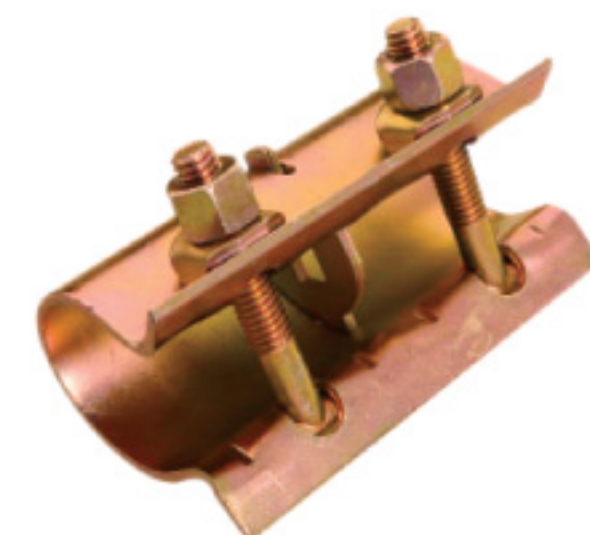
SINGLE CLAMP

| Type | Kg |
|---------------|------|
| Pressed Steel | 0.35 |



LIMPET COUPLER

| Type | Kg |
|---------------|-----|
| Pressed Steel | 0.4 |



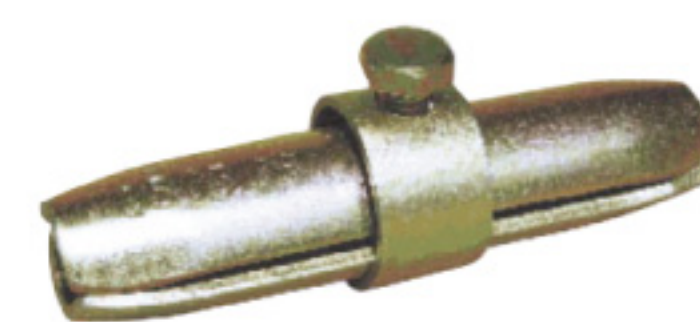
SLEEVE COUPLER

| Type | Kg |
|---------------|-----|
| Pressed Steel | 1.0 |



BEAM CLAMP (FIXED / SWIVEL)

| Type | Kg |
|---------------|-----|
| Pressed Steel | 1.0 |



PIPE / BONE JOINT

| Type | Kg |
|---------------|------|
| Pressed Steel | 0.66 |



PIPE CAP

| Dimension |
|-----------|
| 48.6mm |



CLAMP COVER



FIRE RETARDANT SAFETY NET

| Dimension | Weight | Colors |
|------------|---------------------|---------------------|
| 1.8 x 5.1m | 170g/m ² | Grey / Blue / Green |



JACK HANDLE NUT

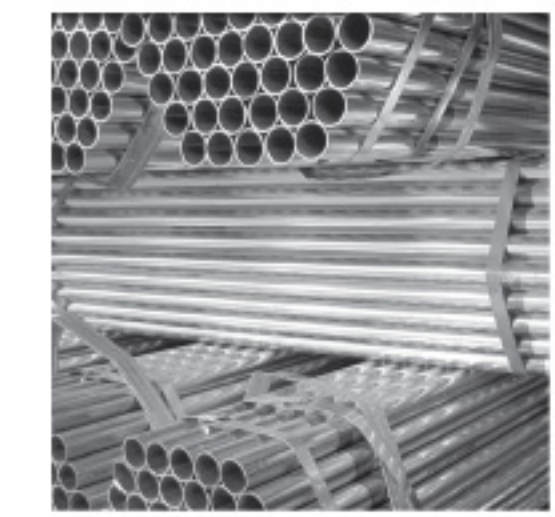
| Dimension |
|--------------------|
| Diameter 30 / 34mm |



FRAME LOCK PIN



GALVANIZED IRON WIRE



GI PIPE

| Size | Thickness | Length |
|--------|-----------|--------|
| 48.6mm | 2.4mm | 6m |

METAL DECK



| Dimension | | |
|-----------|--------|------|
| 210mm | x 45mm | x 2m |
| 210mm | x 45mm | x 3m |
| 210mm | x 45mm | x 4m |
| 240mm | x 45mm | x 2m |
| 240mm | x 45mm | x 3m |
| 240mm | x 45mm | x 4m |



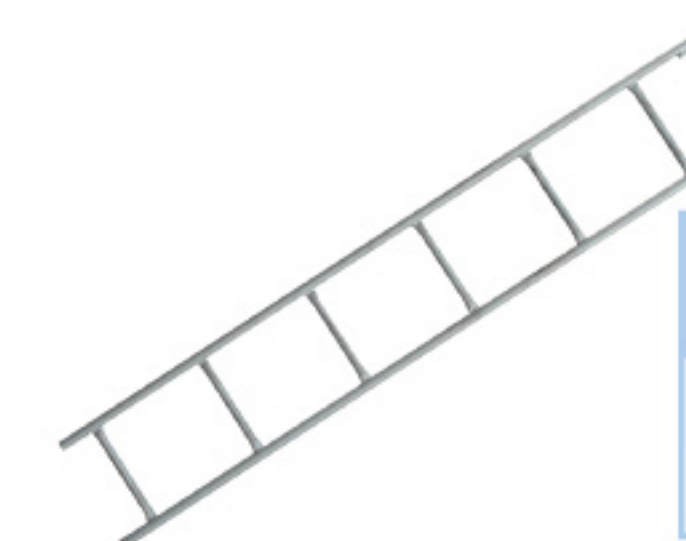
CATWALK PANEL

| Dimension | |
|------------------|--|
| W500mm x L1829mm | |
| W500mm x L1219mm | |



STAIRCASE

| Dimension | |
|----------------------------|--|
| 450 x 1829 x 1955 x 2677mm | |
| 450 x 1829 x 1725 x 2515mm | |



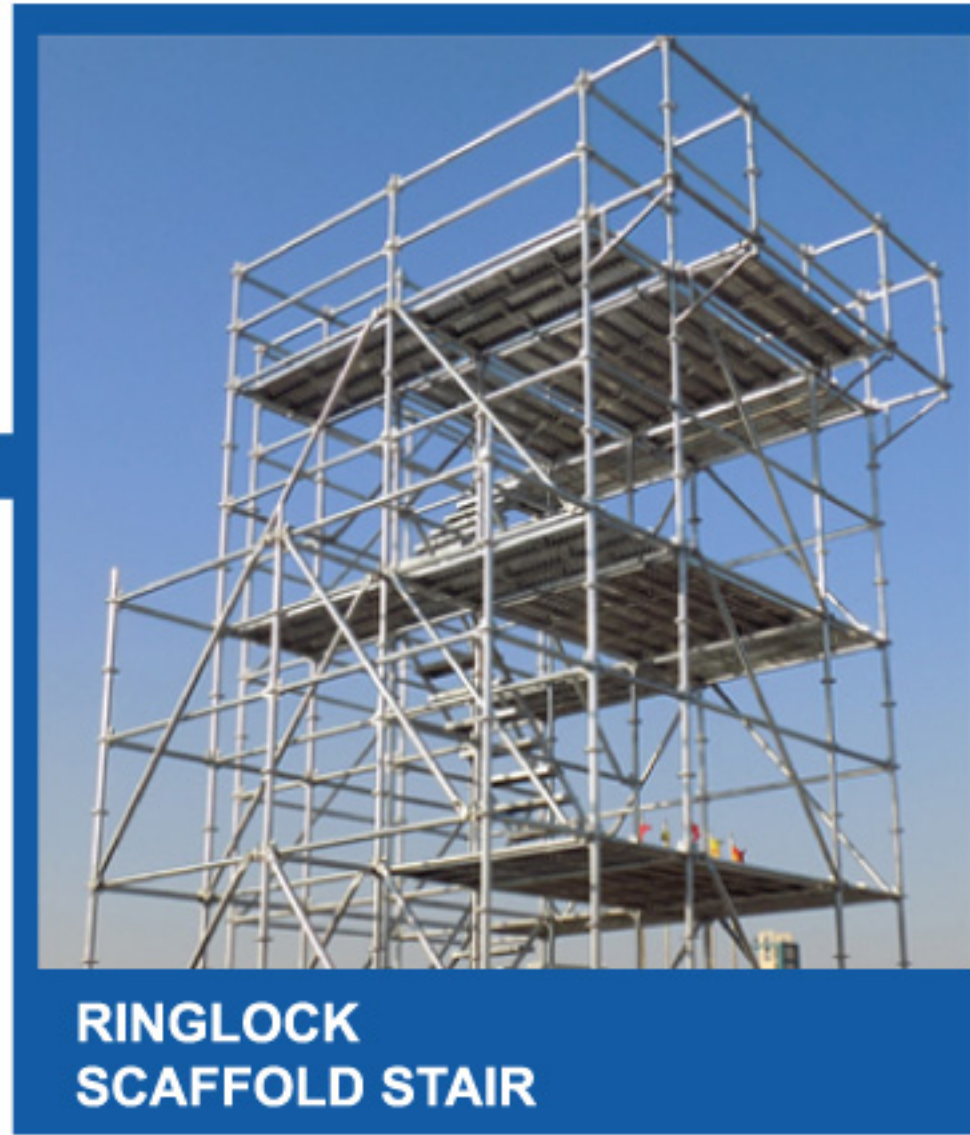
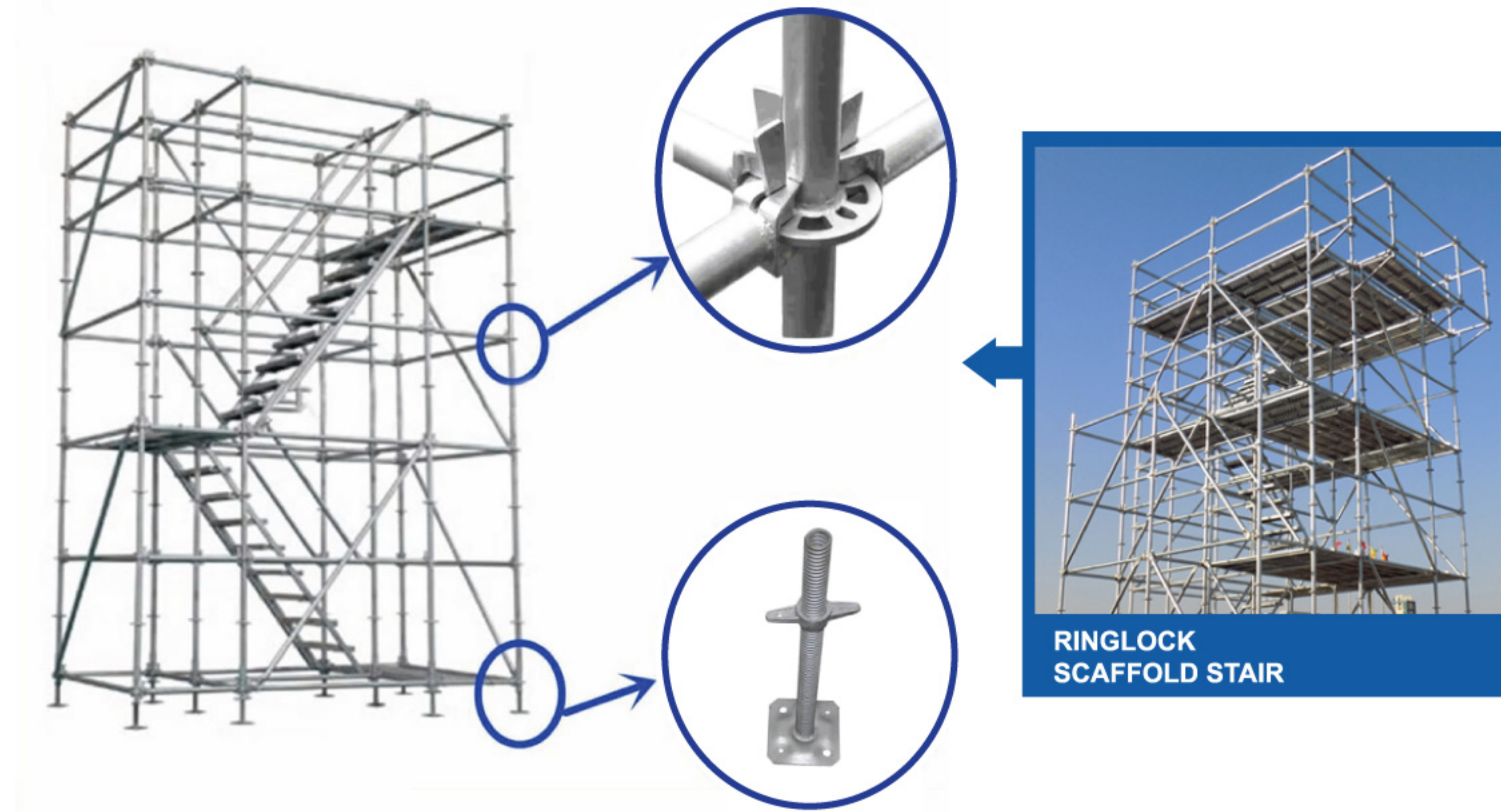
MONKEY LADDER

| Dimension | |
|----------------|--|
| W300 x L3000mm | |
| W300 x L4000mm | |



BLACK ANNEALED WIRE

RINGLOCK SYSTEM



RINGLOCK SCAFFOLD STAIR



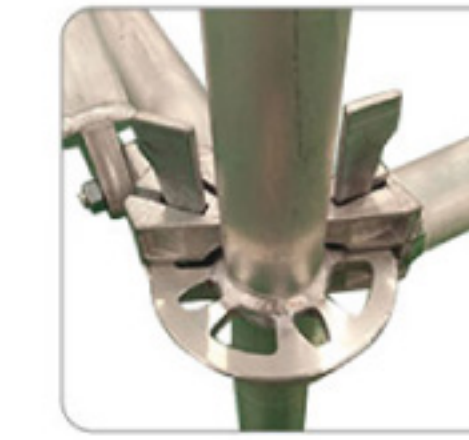
RINGLOCK SHORING SYSTEM

RINGLOCK SYSTEM

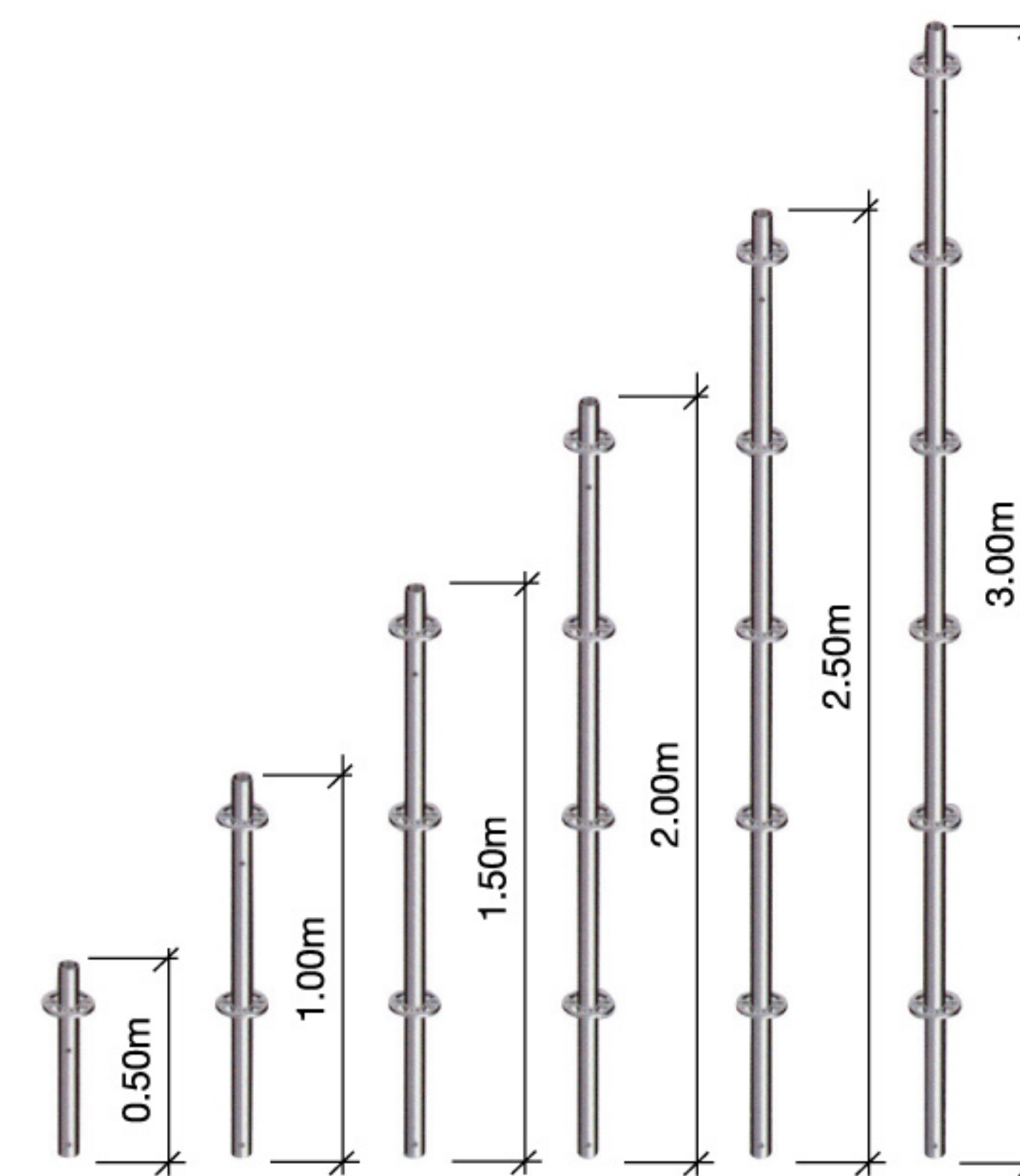
ALL ROUND RING LOCK SYSTEM WITH SPIGOT

Ring Lock Standards

| Length | Weight |
|--------|-----------|
| 500mm | - 3.20kg |
| 1000mm | - 5.50kg |
| 1500mm | - 7.90kg |
| 2000mm | - 10.20kg |
| 2500mm | - 12.60kg |
| 3000mm | - 15.00kg |



Dorset



Intermediate Transom

| Length | Weight |
|--------|----------|
| 732mm | - 3.90kg |
| 914mm | - 4.60kg |
| 1219mm | - 5.70kg |
| 1829mm | - 8.00kg |

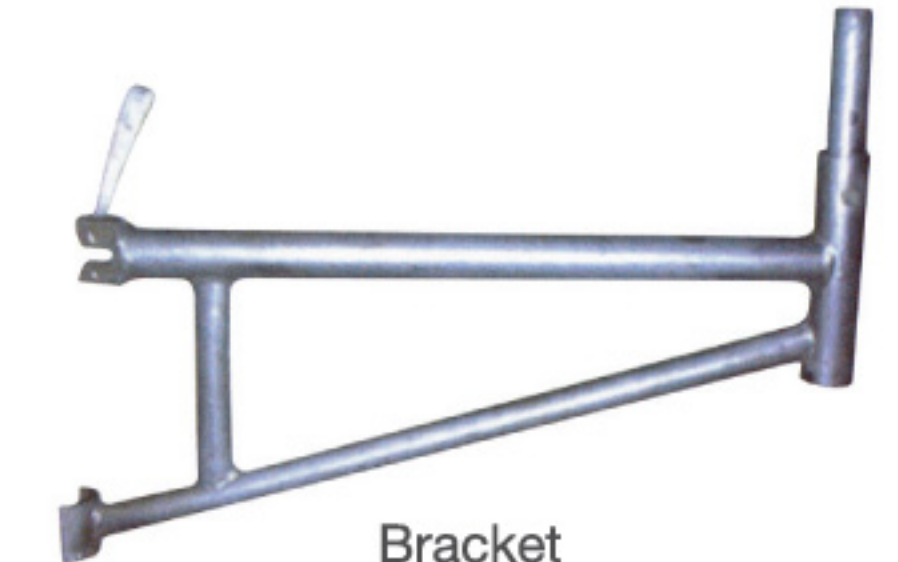


Other Accessories



Base-collar

| Dimension |
|------------------|
| 57 x 3.5 x 280mm |



Bracket

| Dimension |
|--------------------|
| 48.3 x 3.2 x 650mm |

Ledgers

| Length | Weight |
|--------|----------|
| 500mm | - 3.0kg |
| 732mm | - 3.30kg |
| 914mm | - 4.0kg |
| 1219mm | - 5.10kg |
| 1524mm | - 6.3kg |
| 1829mm | - 7.5kg |
| 2130mm | - 8.7kg |



Ledger



Diagonal Brace

| Length | Weight |
|---------------|----------|
| 1500 x 732mm | - 5.40kg |
| 1500 x 914mm | - 5.60kg |
| 1500 x 1219mm | - 6.00kg |
| 1500 x 1524mm | - 6.50kg |
| 1500 x 1829mm | - 7.00kg |
| 2000 x 1219mm | - 6.90kg |
| 2000 x 1829mm | - 7.90kg |



Hook



FEATURES ALUMINIUM SCAFFOLD TOWER SPECIFICATIONS

- Loading Capacity : 2.2KN/m2 each plattform
- Thickness Of Pipe : 2mm
- 8 x 2 Castor Load: 450kg/pc
- Structure Whole Tower: 1 Ton Load
- Highest Tower Below: 14.1m Double Width
- Highest Tower Below: 14.1m Single Width
- Aluminium Grade 6061-T6

INFORMATION ALUMINIUM SCAFFOLD

- Designation: Class 3.2KN/m2 around 200kg/m2
- Maximum Height Indoor: 12m
- Maximum Height Outdoor: 8m
- Maximum Platform Height: 14.1m Double Width
- Maximum Platform Height: 14.1m Single Width
- 275kg max. evenly distribute safe working load per level
- Frame rung to rung 464mm (center to center)

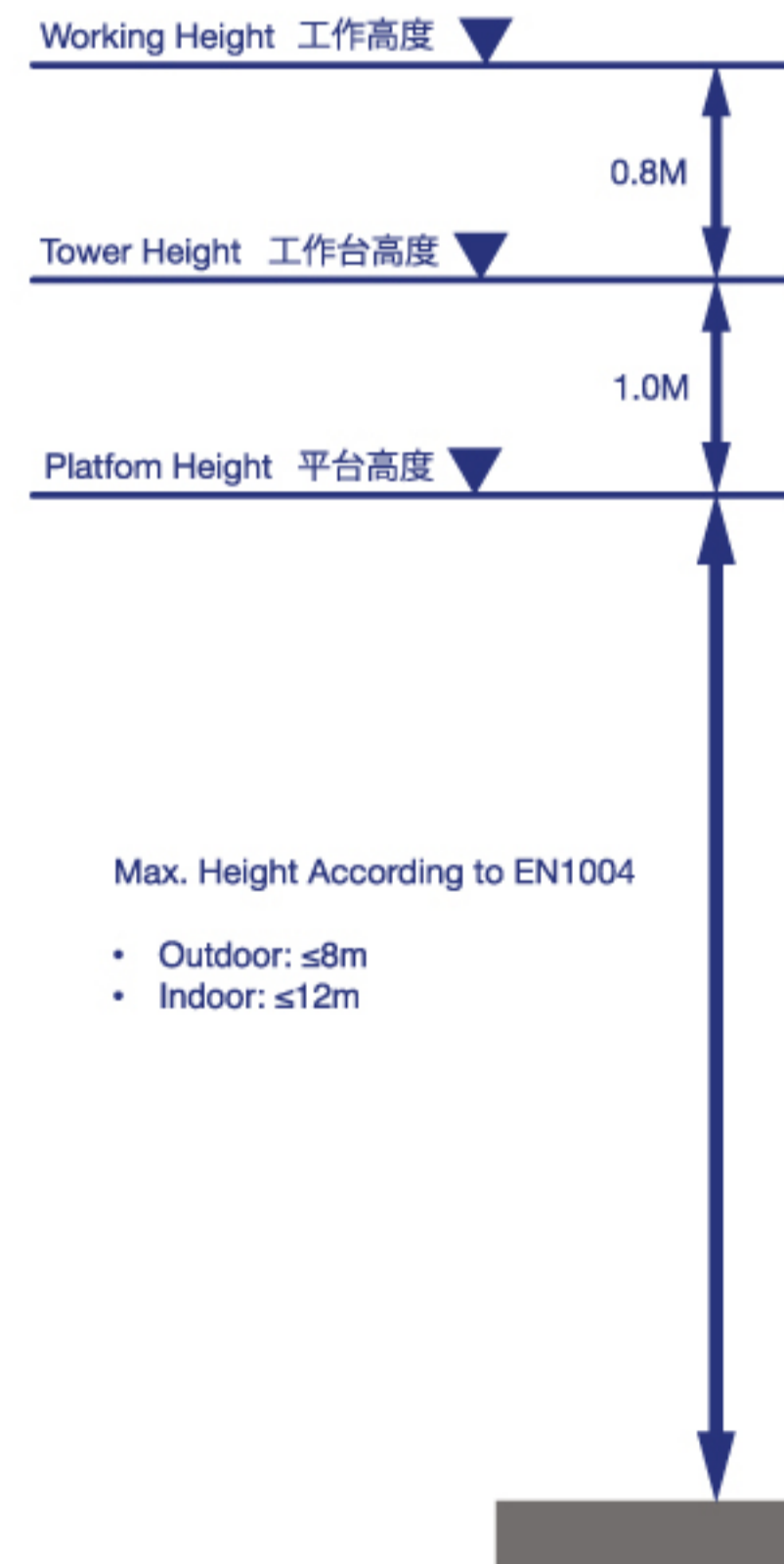


SINGLE WIDTH ALUMINIUM SCAFFOLD TOWER

| Serial# | Platform Height(m) | Tower Height(m) | Working Height(m) |
|---------|--------------------|-----------------|-------------------|
| WPK201 | 2.45 | 3.45 | 4.25 |
| WPK202 | 2.90 | 3.90 | 4.70 |
| WPK203 | 3.37 | 4.37 | 5.17 |
| WPK204 | 3.84 | 4.84 | 5.64 |
| WPK205 | 4.30 | 5.30 | 6.10 |
| WPK206 | 4.77 | 5.77 | 6.57 |
| WPK207 | 5.23 | 6.23 | 7.03 |
| WPK208 | 5.70 | 6.70 | 7.50 |
| WPK209 | 6.16 | 7.16 | 7.96 |
| WPK210 | 6.62 | 7.62 | 8.42 |
| WPK211 | 7.00 | 8.00 | 8.80 |
| WPK212 | 7.55 | 8.55 | 9.35 |
| WPK213 | 8.00 | 9.00 | 9.80 |
| WPK214 | 8.48 | 9.48 | 10.28 |
| WPK215 | 8.95 | 9.95 | 10.75 |
| WPK216 | 9.40 | 10.40 | 11.20 |
| WPK217 | 9.87 | 10.87 | 11.67 |
| WPK218 | 10.33 | 11.33 | 12.13 |
| WPK219 | 10.80 | 11.80 | 12.60 |
| WPK220 | 11.26 | 12.26 | 13.06 |
| WPK221 | 11.73 | 12.73 | 13.53 |



Length: 2m
Width: 0.75m



SINGLE WIDTH

| | | | | | | | |
|--------------|------------|---------------------|------------|------------------|------------|---------------------|------------|
| F501 | 750 x 1392 | F501L | 750 x 1392 | F502 | 750 x 1856 | F502L | 750 x 1856 |
| | | | | | | | |
| 3-Rung Frame | | 3-Rung Ladder Frame | | 4-Rung Frame | | 4-Rung Ladder Frame | |
| F503 | 750 x 2320 | F503L | 750 x 2320 | G5 | 750 x 945 | T2 | 610 x 1950 |
| | | | | | | | |
| 5-Rung Frame | | 5-Rung Ladder Frame | | Guard Rail Frame | | Toe Board | |

UNIVERSAL

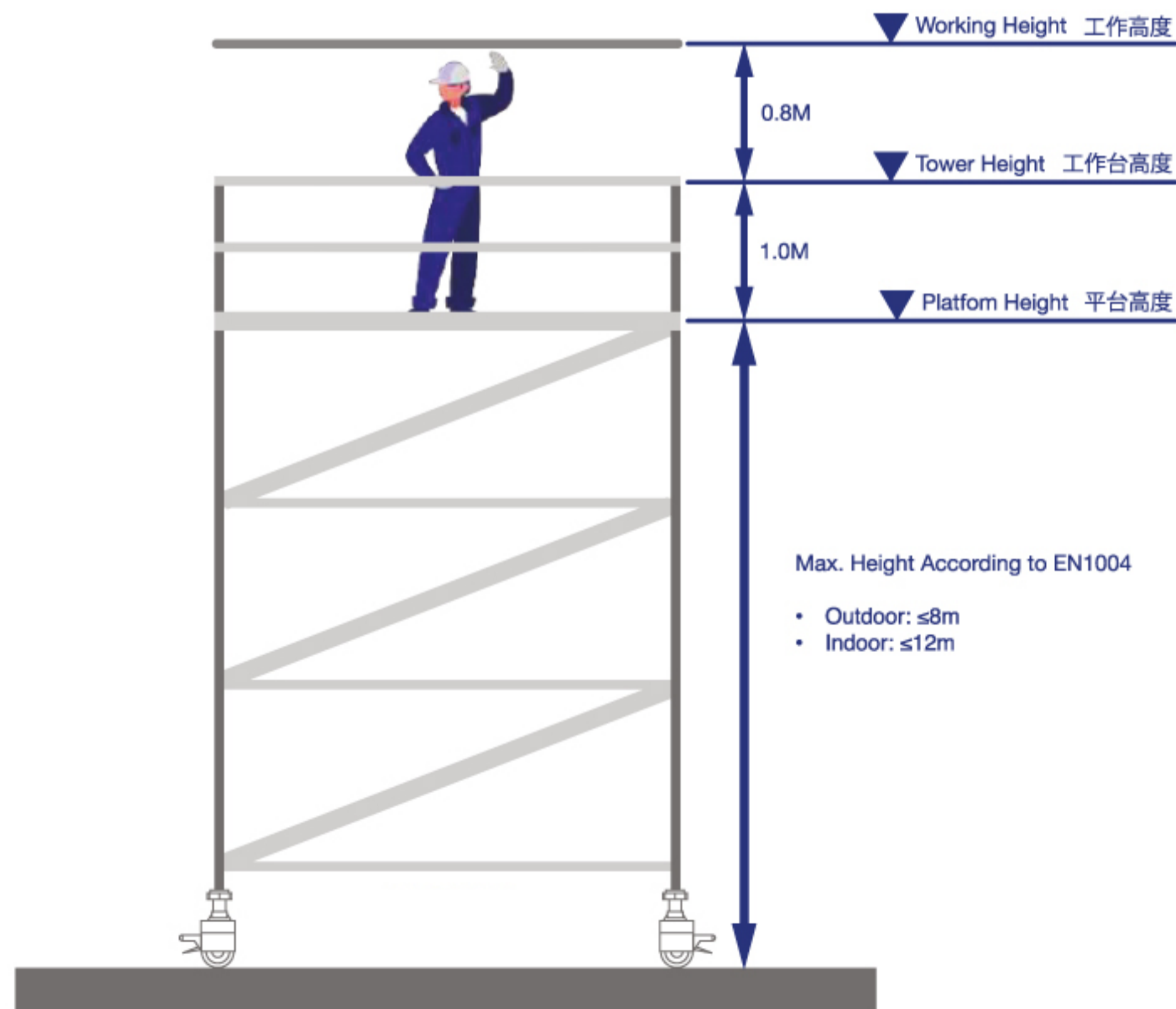
| | | | | | | | | | |
|-------------------|------------|---------------------------|------|--------------------------------|-----------|--------------------------------|-----------|-------------------------|-------|
| WB2000T | 610 x 2000 | S2 | 2570 | S4 | 2600*3200 | STF2 | 4000*4600 | BC6T1 | 6 x 2 |
| | | | | | | | | | |
| Trapdoor Platform | | Standard Fixed Stabilizer | | Standard Adjustable Stabilizer | | Standard Adjustable Stabilizer | | Caster W/adjustable Leg | |
| WB2000 | 610 x 2000 | HB4 | 2000 | DB4 | 2205 | HB6 | 1400 | DB5 | 1680 |
| | | | | | | | | | |
| Fixed Platform | | Horizontal Brace | | Diagonal Brace | | Horizontal Brace | | Diagonal Brace | |

DOUBLE WIDTH ALUMINIUM SCAFFOLD TOWER



| Serial# | Platform Height(m) | Tower Height(m) | Working Height(m) |
|---------|--------------------|-----------------|-------------------|
| WPK101 | 2.45 | 3.45 | 4.25 |
| WPK102 | 2.90 | 3.90 | 4.70 |
| WPK103 | 3.37 | 4.37 | 5.17 |
| WPK104 | 3.84 | 4.84 | 5.64 |
| WPK105 | 4.30 | 5.30 | 6.10 |
| WPK106 | 4.77 | 5.77 | 6.57 |
| WPK107 | 5.23 | 6.23 | 7.03 |
| WPK108 | 5.70 | 6.70 | 7.50 |
| WPK109 | 6.16 | 7.16 | 7.96 |
| WPK110 | 6.62 | 7.62 | 8.42 |
| WPK111 | 7.00 | 8.00 | 8.80 |
| WPK112 | 7.55 | 8.55 | 9.35 |
| WPK113 | 8.00 | 9.00 | 9.80 |
| WPK114 | 8.48 | 9.48 | 10.28 |
| WPK115 | 8.95 | 9.95 | 10.75 |
| WPK116 | 9.40 | 10.40 | 11.20 |
| WPK117 | 9.87 | 10.87 | 11.67 |
| WPK118 | 10.33 | 11.33 | 12.13 |
| WPK119 | 10.80 | 11.80 | 12.60 |
| WPK120 | 11.26 | 12.26 | 13.06 |
| WPK121 | 11.73 | 12.73 | 13.53 |

Length: 2m
Width: 1.35m



DOUBLE WIDTH

| | | | | | | | |
|--------------|-------------|---------------------|-------------|------------------|-------------|---------------------|-------------|
| F301 | 1350 x 1392 | F301L | 1350 x 1392 | F302 | 1350 x 1856 | F302L | 1350 x 1856 |
| | | | | | | | |
| 3-Rung Frame | | 3-Rung Ladder Frame | | 4-Rung Frame | | 4-Rung Ladder Frame | |
| F303 | 1350 x 2320 | F303L | 1350 x 2320 | G2 | 1350 x 945 | T1 | 1220 x 1950 |
| | | | | | | | |
| 5-Rung Frame | | 5-Rung Ladder Frame | | Guard Rail Frame | | Toe Board | |

UNIVERSAL

| | | | | | | | | | |
|-------------------|------------|---------------------------|------|--------------------------------|-----------|--------------------------------|-----------|-------------------------|-------|
| WB2000T | 610 x 2000 | S2 | 2570 | S4 | 2600*3200 | STF2 | 4000*4600 | BC6T1 | 6 x 2 |
| | | | | | | | | | |
| Trapdoor Platform | | Standard Fixed Stabilizer | | Standard Adjustable Stabilizer | | Standard Adjustable Stabilizer | | Caster W/adjustable Leg | |
| WB2000 | 610 x 2000 | HB4 | 2000 | DB4 | 2205 | HB6 | 1400 | DB5 | 1680 |
| | | | | | | | | | |
| Fixed Platform | | Horizontal Brace | | Diagonal Brace | | Horizontal Brace | | Diagonal Brace | |

ALUMINIUM TOWER SCAFFOLDING

ALUMINIUM TOWER SCAFFOLDING

