

STANDARD EQUIPMENT

ISO Standard cabin
All-weather steel cab with 360° visibility
Safety glass windows
Rise-up type windshield wiper
Sliding fold-in front window
Sliding side window(LH)
Lockable door
Hot & cool box
Storage compartment & Ashtray
Radio & USB player
Cabin roof-steel cover
12 volt power outlet (24V DC to 12V DC converter)
Computer aided power optimization (New CAPO) system
3-power mode, 2-work mode, User mode
Auto deceleration & one-touch deceleration system
Auto warm-up system
Auto overheat prevention system
Automatic climate control
Air conditioner & heater
Defroster
Self-diagnostics system
Starting Aid (air grid heater) for cold weather
Centralized monitoring
LCD display
Engine speed or Trip meter/Accel.
Clock
Gauges
Fuel level gauge
Engine coolant temperature gauge
Hyd. oil temperature gauge
Warnings
Check engine
Overload
Communication error
Low battery
Air cleaner clogging
Indicators
Max power
Low speed/High speed
Fuel warmer
Auto idle
Door and cab locks, one key
Two outside rearview mirrors
Fully adjustable suspension seat
Pilot-operated slidable joystick
Four front working lights
Electric horn
Batteries (2 x 12V x 100 AH)
Battery master switch
Removable clean-out dust net for cooler
Automatic swing brake
Removable reservoir tank
Fuel pre-filter
Boom holding system
Arm holding system
Track shoes (600mm, 24")
Track rail guard
Accumulator for lowering work equipment
Electric transducer
Lower frame under cover (Normal)

OPTIONAL EQUIPMENT

Fuel filler pump (35 L/min)
Beacon lamp
Single-acting piping kit (breaker, etc.)
Double-acting piping kit (clamshell, etc.)
Quick coupler
Travel alarm
Booms
5.68 m, 18' 8"
5.68 m, 18' 8" Heavy duty
8.2 m, 26' 11" Long reach
Arms
2.0 m, 6' 7"
2.4 m, 7' 10"
2.92 m, 9' 7"
2.92 m, 9' 7" Heavy duty
3.9 m, 12' 10"
6.3 m, 20' 8" Long reach
Cabin FOPS/FOG (ISO/DIS 10262 Level II)
FOPS (Falling Object Protective Structure)
FOG (Falling Object Guard)
Cabin guard-front
Wire net
Fine net
Cabin lights
Cabin front window rain guard
Sun visor
Track shoes
Triple grousers shoe (700 mm, 28")
Triple grousers shoe (800 mm, 32")
Triple grousers shoe (900 mm, 36")
Double grousers shoe (700 mm, 28")
Full track rail guard
Lower frame under cover (Additional)
Pre-heating system, coolant
Tool kit
Rearview camera
Seat
Mechanical suspension seat with heater
Hi-mate (Remote Management System)
Fuel warmer
Viscous fan clutch
Air compressor
Rear work lamp
Precleaner
4 Pattern changer

* Standard and optional equipment may vary. Contact your Hyundai dealer for more information. The machine may vary according to International standards.
 * The photos may include attachments and optional equipment that are not available in your area.
 * Materials and specifications are subject to change without advance notice.
 * All imperial measurements rounded off to the nearest pound or inch.

PLEASE CONTACT

 **HYUNDAI**
 HEAVY INDUSTRIES CO.,LTD.
CONSTRUCTION EQUIPMENT

Head Office
 1000 BANGEOJINSUNHWAN-DORO, DONG-GU, ULSAN, 682-792, KOREA
 TEL:(82)52-202-7722, 9807 FAX:(82)52-202-7720



We build a better future

Robex
220-95
220-95H
220LC-95
220LC-95H

With Tier 2 Engine installed



*Photo may include optional equipment.

Specifications

ENGINE / R220-9S / R220LC-9S

MODEL	CUMMINS B5.9-C		
Type	Water cooled, 4 cycle Diesel, 6-cylinders in line, direct injection, turbocharged, charger air cooled		
Rated flywheel horse power	SAE	J1995 (gross)	150 HP (112 kW) at 1,950 rpm
		J1349 (net)	143 HP (107 kW) at 1,950 rpm
	DIN	6271/1 (gross)	152 PS (112 kW) at 1,950 rpm
		6271/1 (net)	145 PS (107 kW) at 1,950 rpm
Max. torque	62.6kgf-m (453lbf-ft)/1,500rpm		
Bore X stroke	102mm X 120mm (4.02" X 4.72")		
Piston displacement	5,880cc (359 in ³)		
Batteries	2 X 12V X 100AH		
Starting motor	24V, 4.5kW		
Alternator	24V, 70Amp		

ENGINE / R220-9SH / R220LC-9SH

MODEL	HYUNDAI D6BV		
Type	Water cooled, 4 cycle Diesel, 6-cylinders in line, direct injection, turbocharged, charger air cooled		
Rated flywheel horse power	SAE	J1995 (gross)	148 HP (110 kW) at 1,950 rpm
		J1349 (net)	143 HP (107 kW) at 1,950 rpm
	DIN	6271/1 (gross)	150 PS (110 kW) at 1,950 rpm
		6271/1 (net)	145 PS (107 kW) at 1,950 rpm
Max. torque	58kgf-m (420lbf-ft)/1,600rpm		
Bore X stroke	118mm X 115mm (4.65" X 4.53")		
Piston displacement	7,545cc (460 in ³)		
Batteries	2 X 12V X 100AH		
Starting motor	24V, 5kW		
Alternator	24V, 70Amp		

HYDRAULIC SYSTEM

MAIN PUMP		
Type	Variable displacement tandem axis piston pumps	
Rated flow	R220LC-9S	2 X 222.3 L/min (58.7 US gpm/48.9 UK gpm)
	R220LC-9SH / R220-9SH	2 X 216.5 L/min (58.7 US gpm/48.9 UK gpm)
Sub-pump for pilot circuit	Gear pump	

Cross-sensing and fuel saving pump system.

HYDRAULIC MOTORS

Travel	Two speed axial pistons motor with brake valve and parking brake
Swing	Axial piston motor with automatic brake

RELIEF VALVE SETTING

Implement circuits	350 kgf/cm ² (4,980 psi)
Travel	350 kgf/cm ² (4,980 psi)
Power boost (boom, arm, bucket)	380 kgf/cm ² (5,400 psi)
Swing circuit	265 kgf/cm ² (3,770 psi)
Pilot circuit	40 kgf/cm ² (570 psi)
Service valve	Installed

HYDRAULIC CYLINDERS

No. of cylinder bore X stroke	Boom: 2-120 X 1,290 mm (4.7" X 50.8") Arm: 1-140 X 1,510 mm (5.5" X 59.4") Bucket: 1-120 X 1,055 mm (4.7" X 41.5")
-------------------------------	--

DRIVES & BRAKES

Drive method	Fully hydrostatic type	
Drive motor	Axial piston motor, in-shoe design	
Reduction system	Planetary reduction gear	
Max. drawbar pull	21,100 kgf (46,517 lbf)	
Max. travel speed (high) / (low)	R220LC-9S	5.5 km/hr (3.4mph) / 3.8 km/hr (2.4mph)
	R220-9SH	5.5 km/hr (3.4mph) / 3.7 km/hr (2.3mph)
	R220LC-9SH	5.5 km/hr (3.4mph) / 3.7 km/hr (2.3mph)
Gradeability	35° (70 %)	
Parking brake	Multi wet disc	

CONTROL

Pilot pressure operated joysticks and pedals with detachable lever provide almost effortless and fatigueless operation.

Pilot control	Two joysticks with one safety lever (LH): Swing and arm, (RH): Boom and bucket (ISO)
Traveling and steering	Two levers with pedals
Engine throttle	Electric, Dial type

SWING SYSTEM

Swing motor	Fixed displacement axial piston motor	
Swing reduction	Planetary gear reduction	
Swing bearing lubrication	Grease-bathed	
Swing brake	Multi wet disc	
Swing speed	R220LC-9S	11.1 rpm
	R220-9SH / R220LC-9SH	12 rpm

COOLANT & LUBRICANT CAPACITY

Refilling	liter	US gal	UK gal	
Fuel tank	400.0	105.7	88.0	
Engine coolant	R220LC-9S	35	9.2	7.7
	R220-9SH / R220LC-9SH	35	9.2	7.7
Engine oil	R220LC-9S	24.0	6.3	5.3
	R220-9SH / R220LC-9SH	16.3	3.6	4.3
Swing device-gear oil	5.0	1.3	1.1	
Final drive(each)-gear oil	5.8	2.0	1.0	
Hydraulic system(including tank)	275.0	72.6	60.5	
Hydraulic tank	160.0	42.3	35.2	

UNDERCARRIAGE

The X-leg type center frame is integrally welded with reinforced box-section track frames. The undercarriage includes lubricated rollers, idlers, track adjusters with shock absorbing springs and sprockets, and a track chain with double or triple grouser shoes.

Model	R220LC-9S / R220LC-9SH	R220-9S / R220-9SH
Center frame	X - leg type	X - leg type
Track frame	Pentagonal box type	Pentagonal box type
No. of shoes on each side	49 EA	46 EA
No. of carrier roller on each side	2 EA	2 EA
No. of track roller on each side	9 EA	7 EA
No. of rail guard on each side	2 EA	1 EA

OPERATING WEIGHT (APPROXIMATE)

Operating weight, including 5,680mm (18' 8") boom, 2,920mm (9' 7") arm, SAE heaped 0.92m³ (1.20 yd³) bucket, lubricant, coolant, full fuel tank, full hydraulic tank, and all standard equipments.

MAJOR COMPONENT WEIGHT

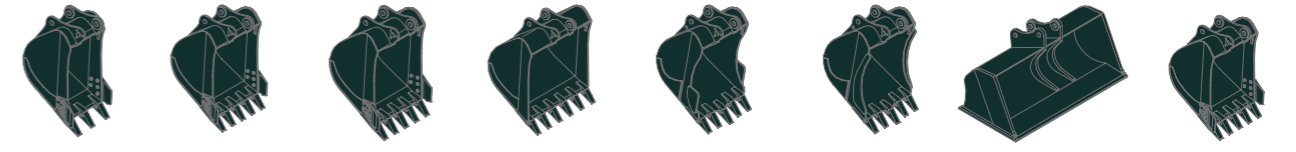
Upperstructure	5,600kg (12,350lb)
Boom (with arm cylinder)	1,950kg (4,300lb)
Arm (with bucket cylinder)	1,095kg (2,410lb)

OPERATING WEIGHT

Type	Width mm (in)	Operating weight		Ground pressure
		kg (lb)		kgf/cm ² (psi)
Triple grouser	600 mm (24")	R220LC-9S / SH	21,900 (48,280)	0.46 (6.54)
		R220LC-9S / SH H/W	23,360 (51,500)	0.50 (7.11)
		R220-9S	21,200 (46,740)	0.49 (6.97)
		R220-9SH	21,200 (46,740)	0.49 (6.97)
		R220LC-9S / SH	22,250 (49,050)	0.40 (5.69)
		R220LC-9S / SH H/W	23,710 (52,270)	0.43 (6.11)
	700 mm (28")	R220-9S	21,550 (47,510)	0.42 (5.97)
		R220-9SH	21,550 (47,510)	0.42 (5.97)
		R220LC-9S / SH	22,515 (49,640)	0.36 (5.12)
		R220-9S	21,815 (48,090)	0.37 (5.26)
		R220LC-9S H/W	23,975 (52,855)	0.38 (5.40)
		R220-9SH	21,815 (48,090)	0.37 (5.26)
800 mm (32")	R220LC-9S / SH	22,760 (50,180)	0.36 (5.12)	
	R220LC-9S / SH H/W	24,220 (53,400)	0.39 (5.55)	
	R220-9S	22,060 (48,630)	0.33 (4.86)	
	R220-9SH	22,060 (48,630)	0.34 (4.83)	
	R220LC-9S H/W	24,135 (53,210)	0.43 (6.11)	
	R220LC-9SH H/W	24,135 (53,210)	0.43 (6.11)	
Double grouser	700 mm (28")	R220LC-9S H/W	24,135 (53,210)	0.43 (6.11)
		R220LC-9SH H/W	24,135 (53,210)	0.43 (6.11)

BUCKETS

All buckets are welded with high-strength steel.



Capacity m ³ (yd ³)	Width mm (in)	Weight kg (lb)	Recommendation mm (ft-in)						
			5,680 (18' 8") Boom						
			2,000 (6' 7") Arm	2,400 (7' 10") Arm	2,920 (9' 7") Arm	3,900 (12' 10") Arm	8,200 (26' 11") Boom		
SAE heaped	CECE heaped	Without sidecutters	With sidecutters						
0.51 (0.67)	0.45 (0.59)	700 (27.6)	820 (32.3)	570 (1,260)	●	●	●	■	—
0.80 (1.05)	0.70 (0.92)	1,000 (39.4)	1,120 (44.1)	700 (1,540)	●	●	●	▲	—
0.92 (1.20)	0.80 (1.05)	1,150 (45.3)	1,270 (50.0)	770 (1,700)	●	●	●	▲	—
1.10 (1.44)	0.96 (1.26)	1,320 (52.0)	1,440 (56.7)	830 (1,830)	●	●	■	▲	—
1.20 (1.57)	1.00 (1.31)	1,400 (55.1)	1,520 (59.8)	850 (1,870)	●	●	■	▲	—
1.34 (1.75)	1.15 (1.50)	1,550 (61.0)	1,670 (65.7)	920 (2,030)	■	■	▲	—	—
◆ 0.74 (0.97)	0.65 (0.85)	985 (38.8)	-	770 (1,700)	●	●	●	▲	—
◆ 0.90 (1.18)	0.80 (1.05)	1,095 (43.1)	-	810 (1,790)	●	●	●	▲	—
◆ 1.05 (1.37)	0.92 (1.20)	1,290 (50.8)	-	890 (1,960)	●	●	■	▲	—
● 0.87 (1.14)	0.75 (0.98)	1,140 (44.9)	-	900 (1,980)	●	●	●	▲	—
● 1.20 (1.57)	1.00 (1.31)	1,410 (55.5)	-	1,030 (2,270)	■	▲	-	-	-
■ 0.75 (0.98)	0.65 (0.85)	1,790 (70.5)	-	880 (1,940)	●	●	■	▲	—
★ 0.52 (0.68)	0.45 (0.59)	935 (36.8)	1,035 (40.8)	460 (1,010)	-	-	-	-	■

- ◆ Heavy duty bucket
- Rock-Heavy duty bucket
- Slope finishing bucket
- ★ Long reach bucket
- : Applicable for materials with density of 2,000 kg/m³ (3,370 lb/ yd³) or less
- : Applicable for materials with density of 1,600 kg/m³ (2,700 lb/ yd³) or less
- ▲ : Applicable for materials with density of 1,100 kg/m³ (1,850 lb/ yd³) or less

ATTACHMENT

Booms and arms are welded with a low-stress, full-box section design. 5.68m, 8.20m Booms and 2.0m, 2.4m, 2.92m, 3.90m, 6.3m Arms are available.

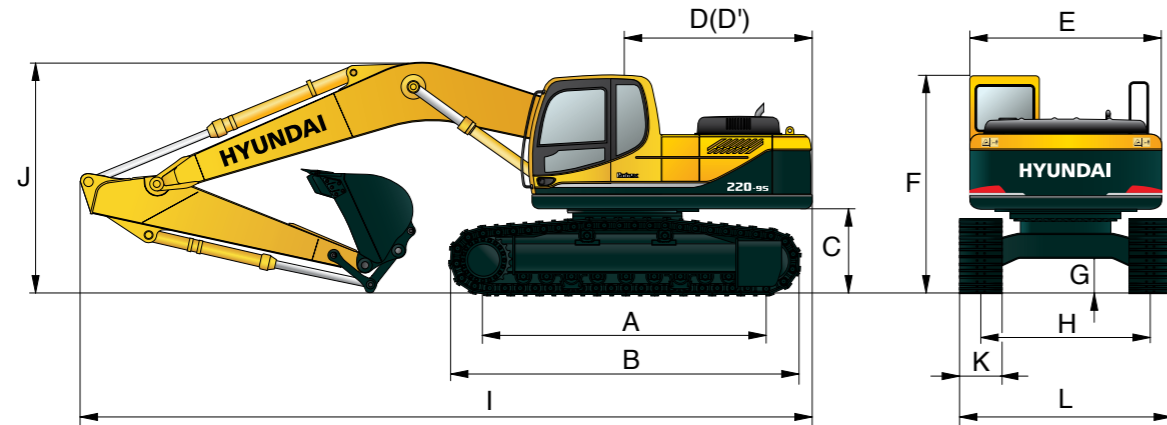
DIGGING FORCE

Boom	Length mm (ft-in)		5,680 (18' 8")				8,200 (26' 11")	Remarks
	Weight kg (lb)		1,950 (4,300)				2,350 (5,180)	
Arm	Length	mm (ft-in)	2,000 (6' 7")	2,400 (7' 10")	2,920 (9' 7")	3,900 (12' 10")	6,300 (20' 8")	
	Weight	kg (lb)	975 (2,150)	1,045 (2,300)	1,095 (2,410)	1,295 (2,850)	1,330 (2,930)	
Bucket digging force	SAE	kN	133.4 [144.8]	133.4 [144.8]	133.4 [144.8]	133.4 [144.8]	72.6	
		kgf	13600 [14770]	13600 [14770]	13600 [14770]	13600 [14770]	7400	
		lbf	29980 [32550]	29980 [32550]	29980 [32550]	29980 [32550]	16310	
	ISO	kN	152.0 [165.0]	152.0 [165.0]	152.0 [165.0]	152.0 [165.0]	83.4	
		kgf	15500 [16830]	15500 [16830]	15500 [16830]	15500 [16830]	8500	
		lbf	34170 [37100]	34170 [37100]	34170 [37100]	34170 [37100]	18740	
Arm crowd force	SAE	kN	144.2 [156.5]	119.6 [129.9]	102.0 [110.7]	84.3 [91.6]	49.0	[:] Power Boost
		kgf	14700 [15960]	12200 [13250]	10400 [11290]	8600 [9340]	5000	
		lbf	32410 [35190]	26900 [29210]	22930 [24900]	18960 [20590]	11020	
	ISO	kN	151.0 [164.0]	125.5 [136.3]	106.9 [116.1]	87.3 [94.8]	50.0	
		kgf	15400 [16720]	12800 [13900]	10900 [11830]	8900 [9660]	5100	
		lbf	33950 [36860]	28220 [30640]	24030 [26090]	19620 [21300]	11240	

Note: Boom weight includes arm cylinder, piping, and pin
Arm weight includes bucket cylinder, linkage, and pin

Dimensions & Working Range

R220-9S / 9SH DIMENSIONS

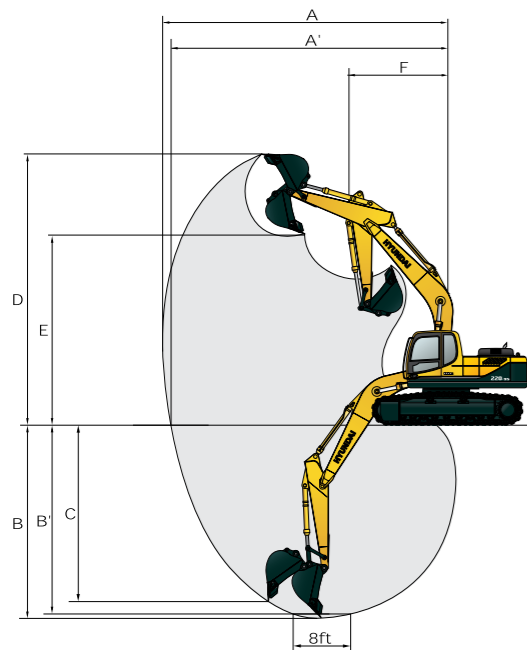


Unit : mm (ft - in)

A Tumbler distance	3,360 (11' 0")	Boom length	5,680 (18' 8")			
B Overall length of crawler	4,150 (13' 7")	Arm length	2,000 (6' 7")	2,400 (7' 10")	2,920 (9' 7")	3,900 (12' 10")
C Ground clearance of counterweight	1,060 (3' 6")	I Overall length	9,650 (31' 8")	9,570 (31' 5")	9,530 (31' 3")	9,520 (31' 3")
D Tail swing radius	2,840 (9' 3")	J Overall height of boom	3,200 (10' 6")	3,110 (10' 2")	3,030 (9' 11")	3,480 (11' 5")
D' Rear-end length	2,770 (9' 1")	K Track shoe width	600 (24")	700 (28")	800 (32")	900 (36")
E Overall width of upperstructure	2,740 (9' 0")	L Overall width	2,800 (9' 2")	2,900 (9' 6")	3,000 (9' 10")	3,100 (10' 2")
F Overall height of cab	2,920 (9' 7")					
G Min. ground clearance	480 (1' 7")					
H Track gauge	2,200 (7' 3")					

R220-9S / 9SH WORKING RANGE

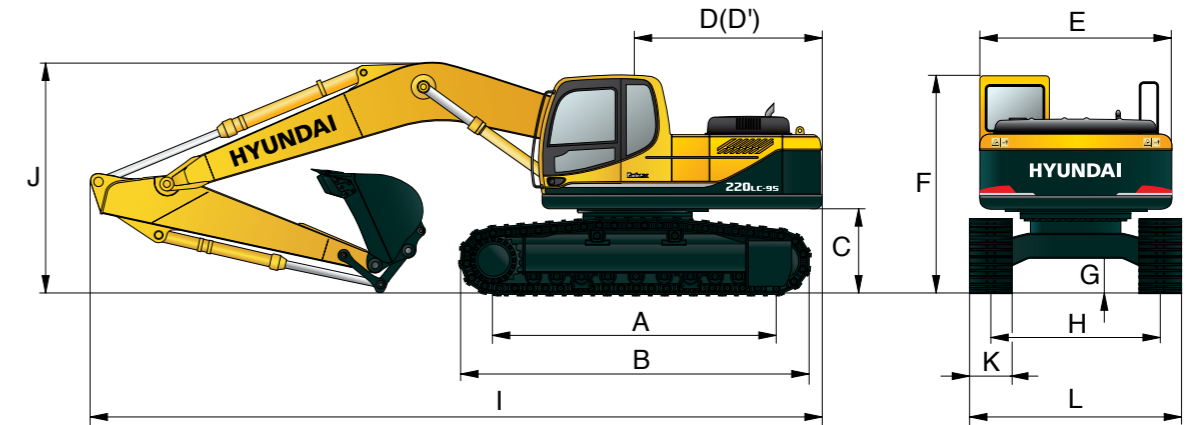
Unit : mm (ft - in)



Boom length	5,680 (18' 8")			
Arm length	2,000 (6' 7")	2,400 (7' 10")	2,920 (9' 7")	3,900 (12' 10")
A Max. digging reach	9,140 (29' 12")	9,500 (31' 2")	9,980 (32' 9")	10,910 (35' 10")
A' Max. digging reach on ground	8,960 (29' 5")	9,330 (30' 7")	9,820 (32' 3")	10,770 (35' 4")
B Max. digging depth	5,820 (19' 1")	6,220 (20' 5")	6,730 (22' 1")	7,720 (25' 4")
B' Max. digging depth (8' level)	5,580 (18' 4")	6,010 (19' 9")	6,560 (21' 6")	7,580 (24' 10")
C Max. vertical wall digging depth	5,280 (17' 4")	5,720 (18' 9")	6,280 (20' 7")	7,240 (23' 9")
D Max. digging height	9,140 (29' 12")	9,340 (30' 8")	9,600 (31' 6")	10,110 (33' 2")
E Max. dumping height	6,330 (20' 9")	6,520 (21' 5")	6,780 (22' 3")	7,290 (23' 11")
F Min. swing radius	3,750 (12' 4")	3,740 (12' 3")	3,740 (12' 3")	3,650 (11' 12")

Dimensions & Working Range

R220LC-9S / 9SH DIMENSIONS

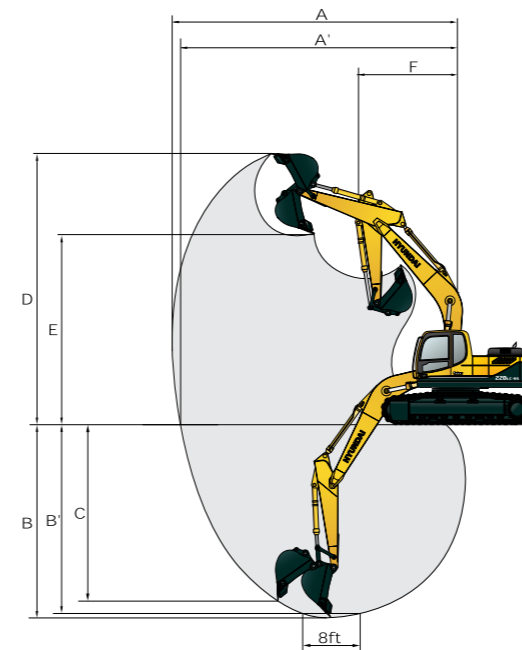


Unit : mm (ft - in)

A Tumbler distance	3,650 (12' 0")	Boom length	5,680 (18' 8")				8,200 (26' 11")
B Overall length of crawler	4,440 (14' 7")	Arm length	2,000 (6' 7")	2,400 (7' 10")	2,920 (9' 7")	3,900 (12' 10")	6,300 (20' 8")
C Ground clearance of counterweight	1,060 (3' 6")	I Overall length	9,650 (31' 8")	9,570 (31' 5")	9,530 (31' 3")	9,520 (31' 3")	12,030 (39' 6")
D Tail swing radius	2,840 (9' 3")	J Overall height of boom	3,200 (10' 6")	3,110 (10' 2")	3,030 (9' 11")	3,480 (11' 5")	3,280 (10' 9")
D' Rear-end length	2,770 (9' 1")	K Track shoe width	600 (24")	700 (28")	800 (32")	900 (36")	
E Overall width of upperstructure	2,740 (9' 0")	L Overall width	2,990 (9' 10")	3,090 (10' 2")	3,190 (10' 6")	3,290 (10' 10")	
F Overall height of cab	2,920 (9' 7")						
G Min. ground clearance	480 (1' 7")						
H Track gauge	2,390 (7' 10")						

R220LC-9S / 9SH WORKING RANGE

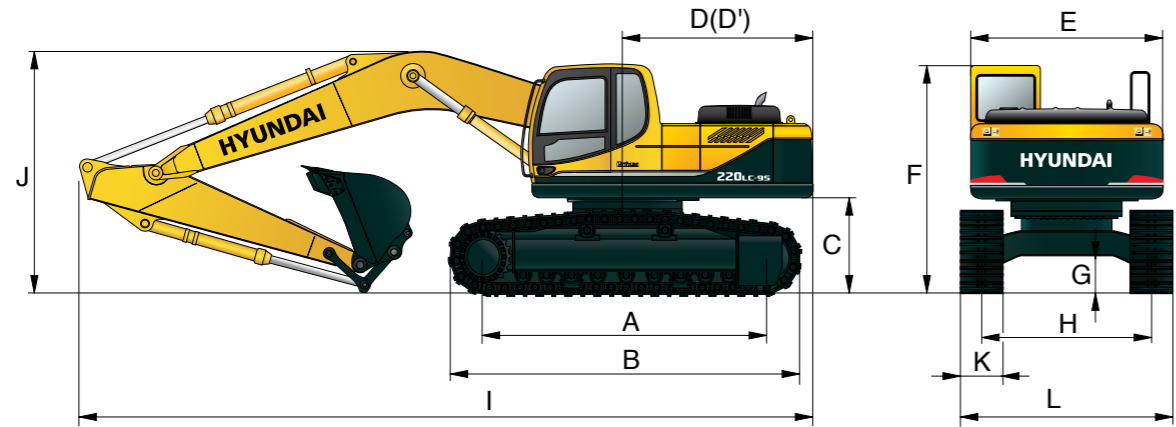
Unit : mm (ft - in)



Boom length	5,680 (18' 8")				8,200 (26' 11")
Arm length	2,000 (6' 7")	2,400 (7' 10")	2,920 (9' 7")	3,900 (12' 10")	6,300 (20' 8")
A Max. digging reach	9,140 (30' 0")	9,500 (31' 2")	9,980 (32' 9")	10,910 (35' 10")	15,220 (49' 11")
A' Max. digging reach on ground	8,960 (29' 5")	9,330 (30' 7")	9,820 (32' 3")	10,770 (35' 4")	15,120 (49' 7")
B Max. digging depth	5,820 (19' 1")	6,220 (20' 5")	6,730 (22' 1")	7,720 (25' 4")	11,760 (38' 7")
B' Max. digging depth (8' level)	5,580 (18' 4")	6,010 (19' 9")	6,560 (21' 6")	7,580 (24' 10")	11,650 (38' 3")
C Max. vertical wall digging depth	5,280 (17' 4")	5,720 (18' 9")	6,280 (20' 7")	7,240 (23' 9")	9,610 (31' 6")
D Max. digging height	9,140 (30' 0")	9,340 (30' 8")	9,600 (31' 6")	10,110 (33' 2")	12,550 (41' 2")
E Max. dumping height	6,330 (20' 9")	6,520 (21' 5")	6,780 (22' 3")	7,290 (23' 11")	10,280 (33' 9")
F Min. swing radius	3,750 (12' 4")	3,740 (12' 3")	3,740 (12' 3")	3,650 (12' 0")	4,870 (16' 0")

Dimensions & Working Range

R220LC-9S / 9SH HIGH WALKER DIMENSIONS



A	Tumbler distance	3,650 (12' 0")
B	Overall length of crawler	4,440 (14' 7")
C	Ground clearance of counterweight	1,240 (4' 1")
D	Tail swing radius	2,840 (9' 4")
D'	Rear-end length	2,770 (9' 1")
E	Overall width of upperstructure	2,740 (9' 0")
F	Overall height of cab	3,100 (10' 2")
G	Min. ground clearance	660 (2' 2")
H	Track gauge	2,795 (9' 2")

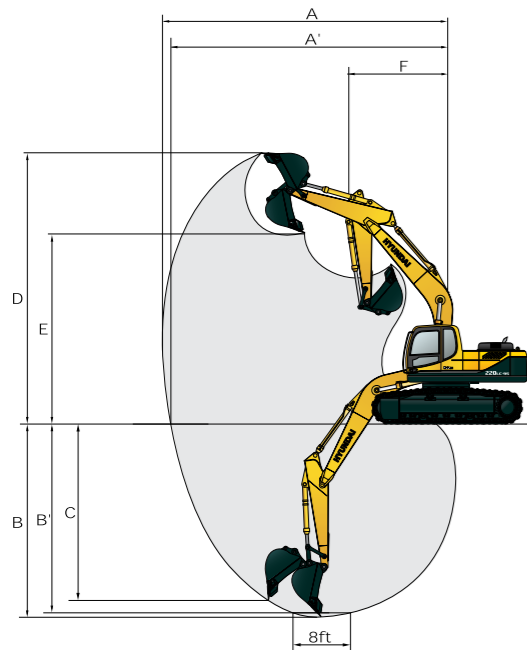
Boom length	5,680 (18' 8")				
Arm length	2,000 (6' 7")	2,400 (7' 10")	2,920 (9' 7")	3,900 (12' 10")	
I Overall length	9,650 (31' 8")	9,550 (31' 4")	9,470 (31' 1")	9,560 (31' 4")	
J Overall height of boom	3,290 (10' 10")	3,170 (10' 5")	3,060 (10' 0")	3,450 (11' 4")	
K Track shoe width	Type	Triple grouser			Double grouser
	Width	600 (24")	700 (28")	800 (32")	710 (28")
L Overall width	3,395 (11' 2")	3,495 (11' 6")	3,595 (11' 10")	3,505 (11' 6")	

Unit : mm (ft · in)

R220LC-9S / 9SH HIGH WALKER WORKING RANGE

Unit : mm (ft · in)

Boom length	5,680 (18' 8")			
Arm length	2,000 (6' 7")	2,400 (7' 10")	2,920 (9' 7")	3,900 (12' 10")
A Max. digging reach	9,140 (30' 0")	9,500 (31' 2")	9,980 (32' 9")	10,910 (35' 10")
A' Max. digging reach on ground	8,920 (29' 3")	9,290 (30' 6")	9,820 (32' 3")	10,730 (35' 2")
B Max. digging depth	5,630 (18' 6")	6,010 (19' 9")	6,550 (21' 6")	7,530 (24' 8")
B' Max. digging depth (8' level)	5,390 (17' 8")	5,820 (19' 1")	6,380 (20' 11")	7,390 (24' 3")
C Max. vertical wall digging depth	5,090 (16' 8")	5,630 (18' 6")	6,100 (20' 0")	7,050 (23' 2")
D Max. digging height	9,330 (30' 7")	9,530 (31' 3")	9,780 (32' 1")	10,300 (33' 10")
E Max. dumping height	6,520 (21' 5")	6,710 (22' 0")	6,960 (22' 10")	7,480 (24' 6")
F Min. swing radius	3,750 (12' 4")	3,740 (12' 3")	3,740 (12' 3")	3,650 (12' 0")



Lifting Capacity

R220-9S / 9SH

Rating over-front Rating over-side or 360 degree

Boom : 5.68m (18' 8") / Arm : 2.40 m (7' 10") / Bucket : 0.92 m³ (1.20 yd³) SAE heaped / Shoe : 600mm (24") triple grouser

Load point height m (ft)		Load radius										At max. reach				
		1.5 m (5 ft)		3.0 m (10 ft)		4.5 m (15 ft)		6.0 m (20 ft)		7.5 m (25 ft)		Capacity	Reach			
		Over-front	Over-side	Over-front	Over-side	Over-front	Over-side	Over-front	Over-side	Over-front	Over-side	m (ft)				
7.5 m (25 ft)	kg											*3700	3220	7.15		
	lb											*8160	7100	(23.5)		
6.0 m (20 ft)	kg							*4010	*4010			*3780	2410	8.20		
	lb							*8840	*8840			*8330	5310	(26.9)		
4.5 m (15 ft)	kg							*4490	4140	*4230	2730	3500	2020	8.82		
	lb							*9900	9130	*9330	6020	7720	4450	(28.9)		
3.0 m (10 ft)	kg					*6900	6100	*5280	3870	4500	2620	3240	1830	9.11		
	lb					*15210	13450	*11640	8530	9920	5780	7140	4030	(29.9)		
1.5 m (5 ft)	kg					*8560	5540	*6120	3590	4350	2490	3180	1780	9.10		
	lb					*18870	12210	*13490	7910	9590	5490	7010	3920	(29.9)		
Ground	kg					*8790	*8790	*9490	5250	6050	3400	4250	2390	3340	1870	8.81
Line	lb					*19380	*19380	*20920	11570	13340	7500	9370	5270	7360	4120	(28.9)
-1.5 m (-5 ft)	kg	*9760	*9760	*13510	10230	9630	5170	5960	3330					3770	2140	8.18
	lb	*21520	*21520	*29780	22550	21230	11400	13140	7340					8310	4720	(26.8)
-3.0 m (-10 ft)	kg	*14150	*14150	*13240	10440	*9090	5240	6010	3370					*4700	2770	7.12
	lb	*31200	*31200	*29190	23020	*20040	11550	13250	7430					*10360	6110	(23.4)
-4.5 m (-15 ft)	kg			*10630	*10630	*7400	5490									
	lb			*23440	*23440	*16310	12100									

Boom : 5.68m (18' 8") / Arm : 2.92 m (9' 7") / Bucket : 0.92 m³ (1.20 yd³) SAE heaped / Shoe : 600mm (24") triple grouser

Load point height m (ft)		Load radius										At max. reach				
		1.5 m (5 ft)		3.0 m (10 ft)		4.5 m (15 ft)		6.0 m (20 ft)		7.5 m (25 ft)		Capacity	Reach			
		Over-front	Over-side	Over-front	Over-side	Over-front	Over-side	Over-front	Over-side	Over-front	Over-side	m (ft)				
7.5 m (25 ft)	kg													*3360	2780	7.78
	lb													*7410	6130	(25.5)
6.0 m (20 ft)	kg									*2340	*2340	*3450	2140	8.74		
	lb									*5160	*5160	*7610	4720	(28.7)		
4.5 m (15 ft)	kg									*4010	*4010	*3830	2780	1810	9.32	
	lb									*8840	*8840	*8440	6130	7010	3990	(30.6)
3.0 m (10 ft)	kg					*9780	*9780	*6150	*6150	*4840	3920	*4230	2650	2950	1650	9.59
	lb					*21560	*21560	*13560	*13560	*10670	8640	*9330	5840	6500	3640	(31.5)
1.5 m (5 ft)	kg					*8810	*8810	*7960	5640	*5750	3620	4360	2490	2900	1600	9.59
	lb					*19420	*19420	*17550	12430	*12680	7980	9610	5490	6390	3530	(31.5)
Ground	kg					*9550	*9550	*9160	5260	6040	3390	4220	2370	3020	1660	9.31
Line	lb					*21050	*21050	*20190	11600	13320	7470	9300	5220	6660	3660	(30.5)
-1.5 m (-5 ft)	kg	*8810	*8810	*12610	10050	9560	5110	5910	3270	4150	2310	3360	1870	3360	1870	8.72
	lb	*19420	*19420	*27800	22160	21080	11270	13030	7210	9150	5090	7410	4120	7410	4120	(28.6)
-3.0 m (-10 ft)	kg	*12190	*12190	*13980	10210	*9320	5130	5900	3270					4120	2340	7.75
	lb	*26870	*26870	*30820	22510	*20550	11310	13010	7210					9080	5160	(25.4)
-4.5 m (-15 ft)	kg			*11860	10550	*8120	5300							*4330	3570	6.16
	lb			*26150	23260	*17900	11680							*9550	7870	(20.2)

Boom : 5.68m (18' 8") / Arm : 3.90 m (12' 9") / Bucket : 0.92 m³ (1.20 yd³) SAE heaped / Shoe : 800mm (32") triple grouser

Load point height m (ft)		Load radius										At max. reach						
		1.5 m (5 ft)		3.0 m (10 ft)		4.5 m (15 ft)		6.0 m (20 ft)		7.5 m (25 ft)		9.0 m (30 ft)		Capacity	Reach			
		Over-front	Over-side	Over-front	Over-side	Over-front	Over-side	Over-front	Over-side	Over-front	Over-side	Over-front	Over-side	m (ft)				
9.0 m (30 ft)	kg													*2740	*2740	7.66		
	lb													*6040	*6040	(25.1)		
7.5 m (25 ft)	kg									*1980	*1980			*2800	2110	8.94		
	lb									*4370	*4370			*6170	4650	(29.3)		
6.0 m (20 ft)	kg									*2840	*2840			*2900	1680	9.77		
	lb									*6260	*6260			*6390	3700	(32.1)		
4.5 m (15 ft)	kg									*3090	2860	*2040	1910	2640	1440	10.28		
	lb									*6810	6310	*4500	4210	5820	3170	(33.7)		
3.0 m (10 ft)	kg							*3940	*3940	*3560	2690	*2910	1840	2460	1310	10.52		
	lb							*8690	*8690	*7850	5930	*6420	4060	5420	2890	(34.5)		
1.5 m (5 ft)	kg					*11130	*11130	*6640	5860	*4950	3690	*4120	2490	3170	1730	10.52		
	lb					*24540	*24540	*14640	12920	*10910	8140	*9080	5490	6990	3810	5310	2780	(34.5)
Ground	kg	*5260	*5260	*10600	10070	*8250	5290	*5860	3380	4180	2320	3070	1640	2480	1290	10.27		
Line	lb	*11600	*11600	*23370	22200	*18190	11660	*12920	7450	9220	5110	6770	3620	5470	2840	(33.7)		
-1.5 m (-5 ft)	kg	*7500	*7500	*11650	9720	*9150	4980	5810	3180	4050	2200	*2370	1590	2700	1430	9.75		
	lb	*16530	*16530	*25680	21430	*20170	10980	12810	7010	8930	4850	*5220	3510	5950	3150	(32.0)		
-3.0 m (-10 ft)	kg	*9990	*9990	*14350	9730	9330	4890	5720	3100	4010	2160			3170	1720	8.91		
	lb	*22020	*22020	*31640	21450	20570	10780	12610	6830	8840	4760			6990	3790	(29.2)		
-4.5 m (-15 ft)	kg	*12960	*12960	*13360	9960	*8830	4970	5780	3140					*4030	2350	7.62		
	lb	*28570	*28570	*29450	21960	*19470	10960	12740	6920					*8880	5180	(25.0)		
-6.0 m (-20 ft)	kg			*10610	10450	*7100	5240											
	lb			*23390	23040	*15650	11550											

Lifting Capacity

R220LC-9S / 9SH

Rating over-front Rating over-side or 360 degree

Boom : 5.68m (18' 8") / Arm : 2.0 m (6' 7") / Bucket : 0.92 m³ (1.20 yd³) SAE heaped / Shoe : 600mm (24") triple grouser

Load point height m (ft)	Load radius								At max. reach		
	3.0 m (10 ft)		4.5 m (15 ft)		6.0 m (20 ft)		7.5 m (25 ft)		Capacity	Reach	
											m (ft)
7.5 m (25 ft)	kg								*4010	*4010	6.65
	lb								*8840	*8840	(21.8)
6.0 m (20 ft)	kg					*4440	*4440		*4060	3040	7.78
	lb					*9790	*9790		*8950	6700	(25.5)
4.5 m (15 ft)	kg			*5730	*5730	*4860	4630		*4190	2540	8.43
	lb			*12630	*12630	*10710	10210		*9240	5600	(27.7)
3.0 m (10 ft)	kg			*7460	6840	*5610	4370	*4830	4040	2310	8.74
	lb			*16450	15080	*12370	9630	*10650	8910	5090	(28.7)
1.5 m (5 ft)	kg			*8990	6320	*6390	4120	5060	2890	2260	8.73
	lb			*19820	13930	*14090	9080	11160	6370	4980	(28.6)
Ground	kg			*9690	6090	*6910	3950	4980	2810	2380	8.42
	lb			*21360	13430	*15230	8710	10980	6190	5250	(27.6)
-1.5 m (-5 ft)	kg	*13990	12260	*9630	6070	*6990	3910		4820	2750	7.76
	lb	*30840	27030	*21230	13380	*15410	8620		10630	6060	(25.5)
-3.0 m (-10 ft)	kg	*12500	12500	*8820	6180	*6350	3990		*4850	3650	6.61
	lb	*27560	27560	*19440	13620	*14000	8800		*10690	8050	(21.7)
-4.5 m (-15 ft)	kg	*9460	*9460								
	lb	*20860	*20860								

Boom : 5.68m (18' 8") / Arm : 2.40 m (7' 10") / Bucket : 0.92 m³ (1.20 yd³) SAE heaped / Shoe : 600mm (24") triple grouser

Load point height m (ft)	Load radius								At max. reach							
	1.5 m (5 ft)		3.0 m (10 ft)		4.5 m (15 ft)		6.0 m (20 ft)		7.5 m (25 ft)		Capacity	Reach				
													m (ft)			
7.5 m (25 ft)	kg										*3700	3640	7.15			
	lb										*8160	8020	(23.5)			
6.0 m (20 ft)	kg						*4010	*4010			*3780	2760	8.20			
	lb						*8840	*8840			*8330	6080	(26.9)			
4.5 m (15 ft)	kg						*4490	*4490	*4230	3130	*3900	2340	8.82			
	lb						*9900	*9900	*9330	6900	*8600	5160	(28.9)			
3.0 m (10 ft)	kg					*6900	*6900	*5280	4400	*4560	3010	2130	9.11			
	lb					*15210	*15210	*11640	9700	*10050	6640	4700	(29.9)			
1.5 m (5 ft)	kg					*8560	6380	*6120	4130	*4970	2880	3710	2080	9.10		
	lb					*18870	14070	*13490	9110	*10960	6350	8180	4590	(29.9)		
Ground	kg					*8790	*8790	*9490	6080	*6740	3930	2780	2180	8.81		
	lb					*19380	*19380	*20920	13400	*14860	8660	10910	6130	8580	4810	(28.9)
-1.5 m (-5 ft)	kg	*9760	*9760	*13510	12060	*9650	6000	*6960	3850		4390	2480	8.18			
	lb	*21520	*21520	*29780	26590	*21270	13230	*15340	8490		9680	5470	26.8			
-3.0 m (-10 ft)	kg	*14150	*14150	*13240	12280	*9090	6080	*6590	3900		*4700	3190	7.12			
	lb	*31200	*31200	*29190	27070	*20040	13400	*14530	8600		*10360	7030	(23.4)			
-4.5 m (-15 ft)	kg			*10630	*10630	*7400	6330									
	lb			*23440	*23440	*16310	13960									

Boom : 5.68m (18' 8") / Arm : 2.92 m (9' 7") / Bucket : 0.92 m³ (1.20 yd³) SAE heaped / Shoe : 600mm (24") triple grouser

Load point height m (ft)	Load radius								At max. reach							
	1.5 m (5 ft)		3.0 m (10 ft)		4.5 m (15 ft)		6.0 m (20 ft)		7.5 m (25 ft)		Capacity	Reach				
													m (ft)			
7.5 m (25 ft)	kg										*3360	3150	7.78			
	lb										*7410	6940	(25.5)			
6.0 m (20 ft)	kg								*2340	*2340	*3450	2460	8.74			
	lb								*5160	*5160	*7610	5420	(28.7)			
4.5 m (15 ft)	kg							*4010	*4010	*3830	3180	*3580	2100	9.32		
	lb							*8840	*8840	*8440	7010	*7890	4630	(30.6)		
3.0 m (10 ft)	kg					*9780	*9780	*6150	*6150	*4840	4460	*4230	3040	1930	9.59	
	lb					*21560	*21560	*13560	*13560	*10670	9830	*9330	6700	7580	4250	(31.5)
1.5 m (5 ft)	kg					*8810	*8810	*7960	6490	*5750	4160	*4710	2880	3390	1880	9.59
	lb					*19420	*19420	*17550	14310	*12680	9170	*10380	6350	7470	4140	(31.5)
Ground	kg					*9550	*9550	*9160	6090	*6490	3920	4930	2750	3520	1950	9.31
	lb					*21050	*21050	*20190	13430	*14310	8640	10870	6060	7760	4300	(30.5)
-1.5 m (-5 ft)	kg	*8810	*8810	*12610	11870	*9600	5940	*6870	3800	4860	2690	3920	2190	8.72		
	lb	*19420	*19420	*27800	26170	*21160	13100	*15150	8380	10710	5930	8640	4830	(28.6)		
-3.0 m (-10 ft)	kg	*12190	*12190	*13980	12040	*9320	5960	*6740	3800			*4460	2710	7.75		
	lb	*26870	*26870	*30820	26540	*20550	13140	*14860	8380			*9830	5970	(25.4)		
-4.5 m (-15 ft)	kg			*11860	*11860	*8120	6140					*4330	4080	6.16		
	lb			*26150	*26150	*17900	13540					*9550	8990	(20.2)		

- Lifting capacity is based on SAE J1097, ISO 10567.
- Lifting capacity of the Robex Series does not exceed 75% of the tipping load with the machine on firm, level ground or 87% of full hydraulic capacity.
- The load point is a hook located on the back of the bucket.
- (*) indicates the load limited by hydraulic capacity.

Lifting Capacity

R220LC-9S / 9SH

Rating over-front Rating over-side or 360 degree

Boom : 5.68m (18' 8") / Arm : 3.90 m (12' 10") / Bucket : 0.92 m³ (1.20 yd³) SAE heaped / Shoe : 600mm (24") triple grouser

Load point height m (ft)	Load radius										At max. reach														
	1.5 m (5 ft)		3.0 m (10 ft)		4.5 m (15 ft)		6.0 m (20 ft)		7.5 m (25 ft)		9.0 m (30 ft)		Capacity	Reach											
															m (ft)										
9.0 m (30 ft)	kg														*2740	*2740	7.66								
	lb														*6040	*6040	(25.1)								
7.5 m (25 ft)	kg														*1980	*1980	8.94								
	lb														*4370	*4370	(29.3)								
6.0 m (20 ft)	kg														*2840	*2840	9.77								
	lb														*6260	*6260	(32.1)								
4.5 m (15 ft)	kg														*3090	*3090	10.28								
	lb														*6810	*6810	(33.7)								
3.0 m (10 ft)	kg											*3940	*3940	*3560	3080	*2910	2140	2890	1560	10.52					
	lb											*8690	*8690	*7850	6790	*6420	4720	6370	3440	(34.5)					
1.5 m (5 ft)	kg											*11130	*11130	*6640	*6640	*4950	4220	*4120	2880	*3450	2040	2840	1510	10.52	
	lb											*24540	*24540	*14640	*14640	*10910	9300	*9080	6350	*7610	4500	6260	3330	(34.5)	
Ground	kg	*5260	*5260	*10600	*10600	*8250	6130	*5860	3910	*4650	2710	*3530	1950	2930	1550	10.27									
	lb	*11600	*11600	*23370	*23370	*18190	13510	*12920	8620	*10250	5970	*7780	4300	6460	3420	(33.7)									
-1.5 m (-5 ft)	kg	*7500	*7500	*11650	11540	*9150	5810	*6490	3700	4750	2590	*2370	1900	3180	1700	9.75									
	lb	*16530	*16530	*25680	25440	*20170	12810	*14310	8160	10470	5710	*5220	4190	7010	3750	(32.0)									
-3.0 m (-10 ft)	kg	*9990	*9990	*14350	11540	*9360	5720	*6700	3620	4710	2550					3710	2030	8.91							
	lb	*22020	*22020	*31640	25440	*20640	12610	*14770	7980	10380	5620					8180	4480	(29.2)							
-4.5 m (-15 ft)	kg	*12960	*12960	*13360	11780	*8830	5800	*6340	3670							*4030	2730	7.62							
	lb	*28570	*28570	*29450	25970	*19470	12790	*13980	8090							*8880	6020	(25.0)							
-6.0 m (-20 ft)	kg					*10610	*10610	*7100	6080																
	lb					*23390	*23390	*15650	13400																

R220LC-9S / 9SH HIGH WALKER

Rating over-front Rating over-side or 360 degree

Boom : 5.68m (18' 8") / Arm : 2.40 m (7' 10") / Bucket : 0.92 m³ (1.20 yd³) SAE heaped / Shoe : 600mm (24") triple grouser

Load point height m (ft)	Load radius								At max. reach														
	1.5 m (5 ft)		3.0 m (10 ft)		4.5 m (15 ft)		6.0 m (20 ft)		7.5 m (25 ft)		Capacity	Reach											
													m (ft)										
7.5 m (25 ft)	kg												*3700	*3700	7.31								
	lb												*8160	*8160	(24.0)								
6.0 m (20 ft)	kg														*4050	*4050	8.30						
	lb														*8930	*8930	(27.2)						
4.5 m (15 ft)	kg														*5360	*5360	*4580	*4260	4030	*3920	3020	8.87	
	lb														*11820	*11820	*10100	*10100	*9390	8880	*8640	6660	(29.1)
3.0 m (10 ft)	kg														*7130	*7130	*5390	*5390	*4610	3900	4010	2810	9.12
	lb																						

Lifting Capacity

R220LC-9S / 9SH HIGH WALKER

Rating over-front Rating over-side or 360 degree

Boom : 5.68m (18' 8") / Arm : 3.90 m (12' 10") / Bucket : 0.92 m³ (1.20 yd³) SAE heaped / Shoe : 600mm (24") triple grouser

Load point height m (ft)		Load radius										At max. reach				
		1.5 m (5 ft)		3.0 m (10 ft)		4.5 m (15 ft)		6.0 m (20 ft)		7.5 m (25 ft)		9.0 m (30 ft)		Capacity		Reach
																m (ft)
9.0 m (30 ft)	kg												*2750	*2750	7.86	
	lb												*6060	*6060	(25.8)	
7.5 m (25 ft)	kg								*2220	*2220			*2810	*2810	9.06	
	lb								*4890	*4890			*6190	*6190	(29.7)	
6.0 m (20 ft)	kg								*2850	*2850			*2910	2550	9.85	
	lb								*6280	*6280			*6420	5620	(32.3)	
4.5 m (15 ft)	kg								*3140	*3140	*2180	*2180	*3030	2270	10.33	
	lb								*6920	*6920	*4810	*4810	*6680	5000	(33.9)	
3.0 m (10 ft)	kg							*4060	*4060	*3620	*3620	*2990	2840	3100	2120	10.54
	lb							*8950	*8950	*7980	*7980	*6590	6260	6830	4670	(34.6)
1.5 m (5 ft)	kg			*11630	*11630	*6880	*6880	*5070	*5070	*4190	3770	*3490	2730	3070	2090	10.50
	lb			*25640	*25640	*15170	*15170	*11180	*11180	*9240	8310	*7690	6020	6770	4610	(34.4)
Ground	kg	*5540	*5540	*10590	*10590	*8400	8100	*5960	5130	*4710	3590	*3480	2640	3180	2160	10.22
Line	lb	*12210	*12210	*23350	*23350	*18520	17860	*13140	11310	*10380	7910	*7670	5820	7010	4760	(33.5)
-1.5 m (-5 ft)	kg	*7800	*7800	*11920	*11920	*9220	7800	*6540	4940	*5060	3480			3480	2370	9.67
	lb	*17200	*17200	*26280	*26280	*20330	17200	*14420	10890	*11160	7670			7670	5220	(31.7)
-3.0 m (-10 ft)	kg	*10330	*10330	*14530	*14530	*9340	7730	*6690	4870	5060	3450			*3920	2820	8.78
	lb	*22770	*22770	*32030	*32030	*20590	17040	*14750	10740	11160	7610			*8640	6220	(28.8)
-4.5 m (-15 ft)	kg	*13390	*13390	*13120	*13120	*8690	7840	*6230	4940					*4030	3800	7.41
	lb	*29520	*29520	*28920	*28920	*19160	17280	*13730	10890					*8880	8380	(24.3)
-6.0 m (-20 ft)	kg			*10090	*10090	*6720	*6720									
	lb			*22240	*22240	*14820	*14820									

Boom : 5.68m (18' 8") / Arm : 2.40 m (7' 10") / Bucket : 0.92 m³ (1.20 yd³) SAE heaped / Shoe : 800mm (32") triple grouser

Load point height m (ft)		Load radius										At max. reach				
		1.5 m (5 ft)		3.0 m (10 ft)		4.5 m (15 ft)		6.0 m (20 ft)		7.5 m (25 ft)		Capacity		Reach		
														m (ft)		
7.5 m (25 ft)	kg												*3700	*3700	7.31	
	lb												*8160	*8160	(24.0)	
6.0 m (20 ft)	kg							*4050	*4050				*3790	3570	8.30	
	lb							*8930	*8930				*8360	7870	(27.2)	
4.5 m (15 ft)	kg					*5360	*5360	*4580	*4580	*4260	4130		*3920	3110	8.87	
	lb					*11820	*11820	*10100	*10100	*9390	9110		*8640	6860	(29.1)	
3.0 m (10 ft)	kg					*7130	*7130	*5390	*5390	*4610	4010		*4080	2890	9.12	
	lb					*15720	*15720	*11880	*11880	*10160	8840		*8990	6370	(29.9)	
1.5 m (5 ft)	kg					*8720	8580	*6220	5500	*5020	3870		4110	2860	9.08	
	lb					*19220	18920	*13710	12130	*11070	8530		9060	6310	(29.8)	
Ground	kg			*9350	*9350	*9550	8290	*6790	5310	*5320	3780		4340	3020	8.75	
Line	lb			*20610	*20610	*21050	18280	*14970	11710	*11730	8330		9570	6660	(28.7)	
-1.5 m (-5 ft)	kg	*10290	*10290	*14180	*14180	*9620	8230	*6950	5240				*4650	3450	8.07	
	lb	*22690	*22690	*31260	*31260	*21210	18140	*15320	11550				*10250	7610	(26.5)	
-3.0 m (-10 ft)	kg	*14760	*14760	*12990	*12990	*8950	8330	*6470	5310				*4690	4470	6.94	
	lb	*32540	*32540	*28640	*28640	*19730	18360	*14260	11710				*10340	9850	(22.8)	
-4.5 m (-15 ft)	kg			*10150	*10150	*7020	*7020									
	lb			*22380	*22380	*15480	*15480									

Boom : 5.68m (18' 8") / Arm : 2.92 m (9' 7") / Bucket : 0.92 m³ (1.20 yd³) SAE heaped / Shoe : 800mm (32") triple grouser

Load point height m (ft)		Load radius										At max. reach			
		1.5 m (5 ft)		3.0 m (10 ft)		4.5 m (15 ft)		6.0 m (20 ft)		7.5 m (25 ft)		Capacity		Reach	
														m (ft)	
7.5 m (25 ft)	kg												*3370	*3370	7.93
	lb												*7430	*7430	(26.0)
6.0 m (20 ft)	kg									*2700	*2700		*3460	3220	8.83
	lb									*5950	*5950		*7630	7100	(29.0)
4.5 m (15 ft)	kg							*4110	*4110	*3870	*3870		*3600	2820	9.37
	lb							*9060	*9060	*8530	*8530		*7940	6220	(30.7)
3.0 m (10 ft)	kg			*10440	*10440	*6440	*6440	*4960	*4960	*4290	4030		*3760	2640	9.60
	lb			*23020	*23020	*14110	*14110	*10930	*10930	*9460	8880		*8290	5820	(31.5)
1.5 m (5 ft)	kg			*8610	*8610	*8150	*8150	*5860	5520	*4760	3870		3760	2610	9.57
	lb			*18980	*18980	*17970	*17970	*12920	12170	*10490	8530		8290	5750	(31.4)
Ground	kg			*9870	*9870	*9260	8290	*6560	5300	*5150	3750		3940	2730	9.25
Line	lb			*21760	*21760	*20410	18280	*14460	11680	*11350	8270		8690	6020	(30.3)
-1.5 m (-5 ft)	kg	*9210	*9210	*13090	*13090	*9600	8150	*6880	5180	*5300	3690		*4340	3060	8.62
	lb	*20300	*20300	*28860	*28860	*21160	17970	*15170	11420	*11680	8140		*9570	6750	(28.3)
-3.0 m (-10 ft)	kg	*12660	*12660	*13780	*13780	*9230	8200	*6670	5200				*4470	3810	7.59
	lb	*27910	*27910	*30380	*30380	*20350	18080	*14700	11460				*9850	8400	(24.9)
-4.5 m (-15 ft)	kg			*11470	*11470	*7860	*7860						*4250	*4250	5.89
	lb			*25290	*25290	*17330	*17330						*9370	*9370	(19.3)

- Lifting capacity is based on SAE J1097, ISO 10567.
- Lifting capacity of the Robex Series does not exceed 75% of the tipping load with the machine on firm, level ground or 87% of full hydraulic capacity.
- The load point is a hook located on the back of the bucket.
- (*) indicates the load limited by hydraulic capacity.

Lifting Capacity

R220LC-9S / 9SH HIGH WALKER

Rating over-front Rating over-side or 360 degree

Boom : 5.68m (18' 8") / Arm : 3.90 m (12' 10") / Bucket : 0.92 m³ (1.20 yd³) SAE heaped / Shoe : 800mm (32") triple grouser

Load point height m (ft)		Load radius										At max. reach				
		1.5 m (5 ft)		3.0 m (10 ft)		4.5 m (15 ft)		6.0 m (20 ft)		7.5 m (25 ft)		9.0 m (30 ft)		Capacity		Reach
																m (ft)
9.0 m (30 ft)	kg													*2750	*2750	7.86
	lb													*6060	*6060	(25.8)
7.5 m (25 ft)	kg									*2220	*2220			*2810	*2810	9.06
	lb									*4890	*4890			*6190	*6190	(29.7)
6.0 m (20 ft)	kg									*2850	*2850			*2910	2620	9.85
	lb									*6280	*6280			*6420	5780	(32.3)
4.5 m (15 ft)	kg									*3140	*3140	*2180	*2180	*3030	2340	10.33
	lb									*6920	*6920	*4810	*4810	*6680	5160	(33.9)
3.0 m (10 ft)	kg									*4060	*4060	*3620	*3620	*2990	2920	10.54
	lb									*8950	*8950	*7980	*7980	*6590	6440	(34.6)
1.5 m (5 ft)	kg					*11630	*11630	*6880	*6880	*5070	*5070	*4190	3870	*3490	2820	10.50
	lb					*25640	*25640	*15170	*15170	*11180	*11180	*9240	8530	*7690	6220	(34.4)
Ground	kg	*5540	*5540	*10590	*10590	*8400	8310	*5960	5270	*4710	3700	*3480	2730	3280	2230	10.22
Line	lb	*12210	*12210	*23350	*23350	*18520	18320	*13140	11620	*10380	8160	*7670	6020	7230	4920	(33.5)
-1.5 m (-5 ft)	kg	*7800	*7800	*11920	*11920	*9220	8010	*6540	5080	*5060	3580			3590	2450	9.67
	lb	*17200	*17200	*26280	*26280	*20330	17660	*14420	11200	*11160	7890			7910	5400	(31.7)
-3.0 m (-10 ft)	kg	*10330	*10330	*14530	*14530	*9340	7940	*6690	5010	*5090	3550			*3920	2900	8.78
	lb	*22770	*22770	*32030	*32030	*20590	17500	*14750	11050							