



Excavator SWE 335F



Operating Weight	33.6t(steel track)
Engine Power	224kW/2000rpm
Engine Brand	CUMMINS
Standard Bucket Capacity	1.5m ³
Max. Digging Depth	7.445m

Excavator SWE335F

Parameter

ENGINE

Brand	CUMMINS
Model	QSL9-3823
Type	6-cylinder 4-stroke water cooled
Displacement	8.9L
Power	224kW/2000rpm

ELECTRIC SYSTEM

Nominal Voltage	24V
Batteries	120Ah
Alternator	24V-75A
Starter	24V-7.8KW

DRIVE

Max.Travel Speed (2nd/1st)	4.8/3.2 km/h
Gradeability	35°
Max. Driving Force	279kN

UNDERCARRIAGE

Undercarriage Width	3190mm
Tumbler Distance	4030mm
Track Length	4945mm
Shoe Width	600mm

DIMENSIONS

Counterweight Clearance	1195mm
Tail Swing Radius	3390mm
Shipping Length	11345mm
Shipping Width	3190mm
Shipping Height	3380mm

WORKING RANGES

Max. Cutting Height	10510mm
Max. Loading Height	7400mm
Max. Digging Depth	7445mm
Max. Vertical Wall Digging Depth	6435mm
Max. Digging Reach	11330mm
Max. Digging Reach (Ground)	11130mm
Bucket Digging Force	240kN
Stick Digging Force	177kN
Ground Pressure	61.5kPa
Swing Speed	10.3rpm

CAPACITY

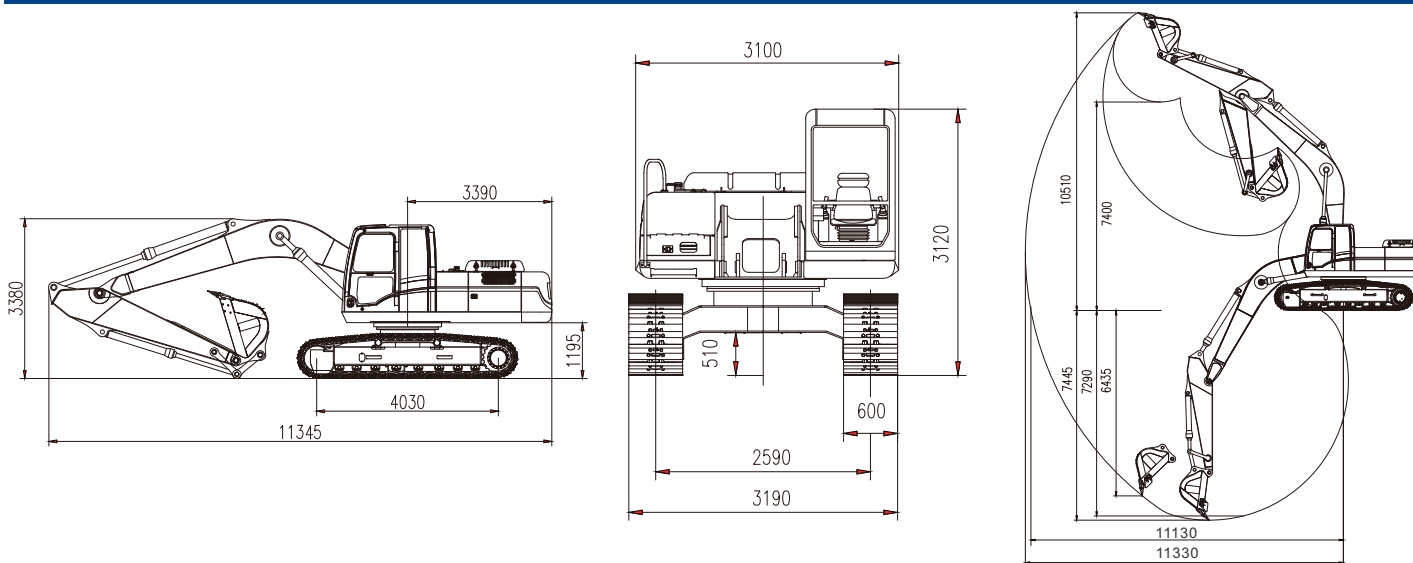
Fuel Tank	650L
Hydraulic Tank	290L

HYDRAULIC SYSTEM

Main Pumps	
Type	2 piston pumps
Displacement	268 L/min
Working Pressure	31.4/34.3 MPa

Excavator SWE 335F

Working Ranges



Load Capacity

X(m) Y(m)	2m		3m		4m		5m		6m		7m		8m		9m		MAX	
	Front(kg)	Side(kg)	Front(kg)	Side(kg)	Front(kg)	Side(kg)	Front(kg)	Side(kg)	Front(kg)	Side(kg)	Front(kg)	Side(kg)	Front(kg)	Side(kg)	Front(kg)	Side(kg)	Front(kg)	Side(kg)
8.0	-	-	-	-	-	-	-	-	-	-	*7540	6730	-	-	-	-	*4750	*4750
7.0	-	-	-	-	-	-	-	-	-	-	*7560	6750	*6350	5120	-	-	*4580	*4580
6.0	-	-	-	-	-	-	-	-	-	-	*7930	6660	*7680	5120	-	-	*4490	*4490
5.0	-	-	-	-	-	-	-	-	*9310	8540	*8530	6490	*8020	5040	*6030	3920	*4500	3740
4.0	-	-	-	-	*15770	*15770	*12380	11060	*10480	8170	*9280	6270	7940	4910	6370	3870	*4580	3470
3.0	-	-	-	-	*19190	14680	*14330	10400	*11710	7780	9790	6030	7770	4760	6280	3780	*4750	3300
2.0	-	-	-	-	*11750	*11750	*16010	9820	12340	7420	9530	5790	7600	4600	6190	3690	*4990	3210
1.0	-	-	-	-	*11220	*11220	16360	9410	12000	7130	9300	5590	7480	4470	6100	3610	*5340	3200
0.0	-	-	-	-	*13550	13060	16070	9170	11770	6930	9140	5440	7340	4360	6030	3550	5610	3280
-1.0	-	-	*10200	*10200	*17350	13050	15940	9060	11640	6810	9030	5340	7270	4300	6000	3520	5890	3450
-2.0	*11520	*11520	*14910	*14910	*21820	13130	15940	9050	11600	6780	9000	5310	7260	4290	-	-	6360	3750
-3.0	*16100	*16100	*20250	*20250	*20570	13300	16030	9130	11650	6820	9040	5350	7320	4350	-	-	7130	4240
-4.0	*21320	*23240	*23240	*23240	*18690	13560	*15310	9300	11790	6950	9180	5470	-	-	-	-	8420	5040
-5.0	-	-	*19490	*19490	*15880	13930	*13010	9580	*10410	7200	-	-	-	-	-	-	*9190	6510

Notes:

- 1) Load with * is limited by hydraulic capacity and based on ISO 10567. Rated loads do not exceed 87% of hydraulic capacity.
- 2) Load without * is limited by tipping load and based on ISO 10567. Rated loads do not exceed 75% of tipping load.

■ SUNWARD INTELLIGENT EQUIPMENT CO.,LTD.

Add: Sunward Intelligent Industrial Park, Xingsha, Changsha, 410100, China.

Tel: (0086-731) 83572 828 Fax: (0086-731) 83572 661

E-mail: international@sunward.com.cn

Web: www.sunward.com.cn

■ SUNWARD EUROPE HEAVY INDUSTRY NV

Add: Nijverheidspark 3, 3580 Beringen, Belgium

Tel: (0032-011) 434666

E-mail: eu@sunward.cc