

SUMITOMO

SH 75XU

MINIMUM SWING RADIUS

LEGEST



MADE IN JAPAN

The world knows that Japanese design and manufacturing is the best especially for industrial products. The hydraulic excavator is not the exception when a total integration concept is required in design work involving key components, manufacturing engineering and product quality assurance in the factory.

All SUMITOMO hydraulic excavators are engineered and assembled in SUMITOMO's its one and only factory located in Chiba City, Japan, and distributed to each country in the world. This distinctive feature is unique to SUMITOMO, giving the SUMITOMO machine users total comfort and reliance on product quality.

(Note: Some of the items manufactured and sourced in other countries may be assembled in Japan.)



LEGEST

SH 75 XU



Minimum Swing Radius

In addition to boasting top-class compact rotational capability for cramped areas, outstanding stability, and powerful digging and drive strength have been realized. On various kinds of work-sites it can always be trusted to perform and maneuver exactly as the operator intends.



● Bucket digging capacity

57 kN

● Arm digging capacity

40 kN

Diversified operational field

Road works

Forest road works

Demolition works

Rotational ABS

A rotation shock-absorber device has been installed to soften jolts that occur when the vehicle halts rotation. This is particularly useful for pinpointing position, and preventing spillages during manual operation.

Employment of speed assisted mechanics

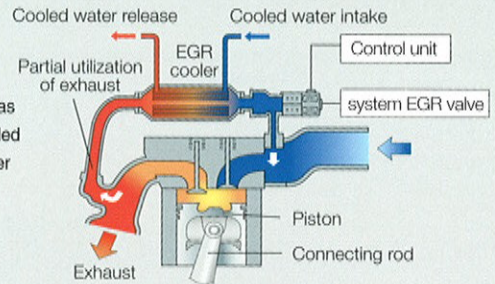
Through employing an oil return system in the arm and boom, speed assisted operations for digging, as well as fuel consumption, have been improved.

Clearing the Non-road Special Motor Vehicle Exhaust Emission Standard



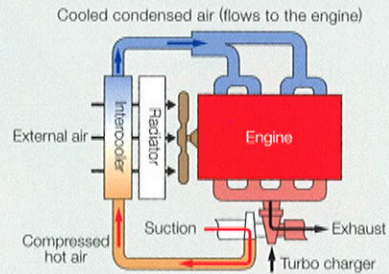
● Cooled EGR system

Exhaust gas is re-circulated and combustion temperature lowered by the EGR (Exhaust Gas Recirculation) engine. In addition, a water-cooled EGR system has been employed, which further efficiently reduces NOx (nitrogen oxide).



● Turbo engine with intercooler

Air intake efficiency is improved by the intercooler. It cools air taken in, which has been heated by the compression of the turbo charger. In addition to a great reduction of NOx and PM, high output and improved fuel consumption have been realized.



Precision movement and secure operational control, "front and back", with a rounded body-form that minimizes excess width

190mm
Excess cab width

2320mm
Track width

75mm
Excess rear width

Off-set area

1000mm 1100mm



Maintenance

Diverse innovations designed to reduce running costs and make maintenance easy. In terms of both cost and labor, you will really come to appreciate its efficiency the longer you use it.

Internalized Hydraulic Hose

The hydraulic hose is installed inside the off-set rod, protecting it from potential damage caused by direct external contact.



Ground Level Access

Various parts of the excavator can now be cleaned and changed from ground level without climbing onto the body of the vehicle. Maintenance is no longer troublesome.



- ① Double element air cleaner
- ② Condenser
- ③ Battery (maintenance free)
- ④ Reserve tank

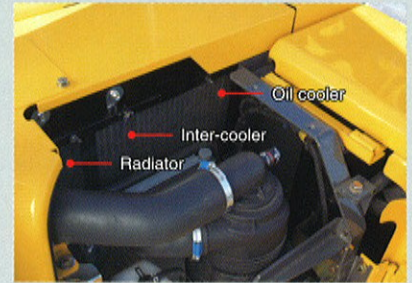


●Fuel and oil filters

The fuel and oil filters are installed in positions that can be accessed from ground level, so replacing them is made simple.

- ① Water separator
- ② Fuel filter
- ③ Oil filter

Ease of cleaning around radiator



Engine Oil Drain Coupler

The engine oil pan is provided with a drain coupler. This makes it easier to do drain work and prevents oil from spattering because of the attached drain hose.



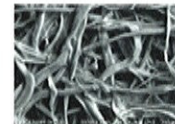
High-Performance Return Filter

The hydraulic oil change interval is 5,000 hours, and the return filter change interval is 2,000 hours. One high performance return filter keeps the same level of filtering effect as a nephron.

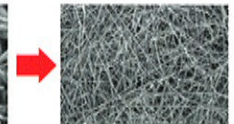
- Hydraulic • oil change : **5,000 hours**
- Life of filter : **2,000 hours**

※The oil and filter change interval depends on the working conditions.

The High-Performance Return Filter is made more precisely to condense the Nephron filter function.



Conventional return filter



High-performance return filter

EMS (Easy Maintenance System) as Standard

SUMITOMO
unique design

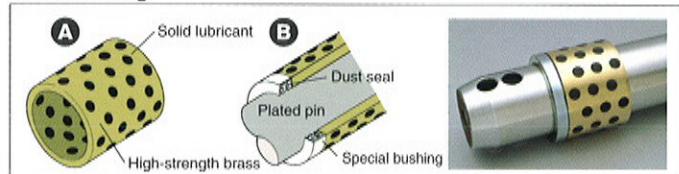
SUMITOMO's new improved EMS keeps the pins and bushes fully lubricated at all times and prevents rattling. This system significantly extends the service life of the pins and bushes.

The interval of greasing around the bucket is 250 hours, and the interval for the other sections is 1,000 hours, keeping the joints lubricated for a long time and extending the service life of parts by reducing abrasion and rattling.

- Bucket greasing interval : **250 hours**
- Greasing interval for other sections : **1,000 hours**

※The greasing interval depends on the working conditions.

■EMS bushing

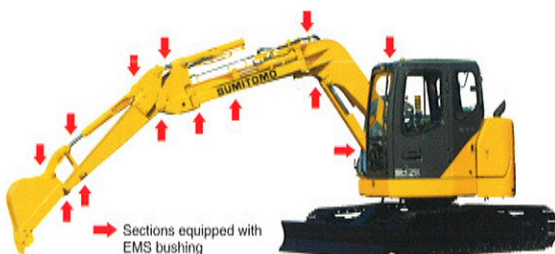


Ⓐ A solid lubricant embedded in high strength brass forms a layer on the bushing surface to prevent contact between metals, maintaining an excellent lubricated state to reduce the abrasion of joints.

Ⓑ The surface of the pin is plated to increase the surface hardness and to improve the wear resistance accordingly.

Precautionary use of EMS

- ① Grease is enclosed, however, greasing is necessary every 1000 hours or six months depending on the level of dusting conditions.
- ② Greasing is also necessary after any components have been submerged underwater for prolonged periods.
- ③ Greasing is also recommended after use with hydraulic breakers, crushers or other high impact attachments such as rock saws etc.
- ④ Bucket pins should be cleaned thoroughly when removing or attaching new buckets.



Operator Comfort and Safety

How safely, and in what level of comfort can the driver carry out daily operations?
We have extended every possible care and attention to ensure that both safety and comfort are provided.



Comfortable and spacious cab

Spacious foot space



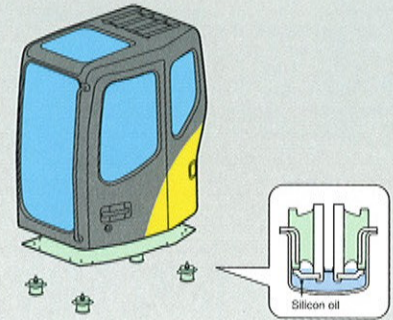
Air conditioner installed as standard

An air conditioner is fitted as standard. Front facing airflow vents and a defrosting function allow a pleasant work environment to be maintained.



Employment of fluid-mount suspension to reduce fatigue

Impacts and vibrations on the cab are effectively absorbed, providing a pleasant and comfortable ride, as well as reducing noise levels inside the cab. Operator fatigue is reduced.



Floor design allows easy access to and from cab



Slide-door windows

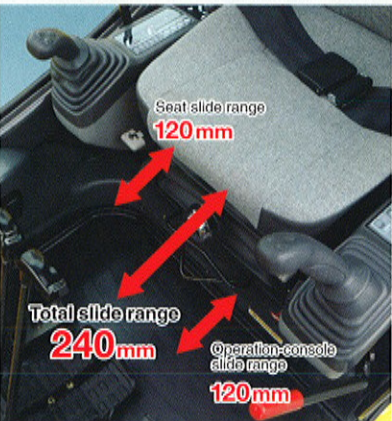


AM/FM radio



Stereo speakers

Full operation-console slide adjustment (Reclining seat)



Gate-type lock lever on the operation lever to prevent operational errors



Emergency escape hammer



Reversing rear-view mirror



Cab roof window



Membrane switch



Emergency stop switch



Defroster/Cup holder

■ Lifting Capacity

BLADE : UP
 ARM : STD ARM
 SHOE : 450G
 BUCKET : 0.28BUCKET

ARM LENGTH = 1.75 (m)
 MAXIMUM REACH = 5.44 (m)
 TIPPING CAPACITY (MARK:) = 75.0 (%)
 HYDRAULIC CAPACITY (MARK:*) = 87.0 (%)

Bucket Hook Height	Radius of Load								
	Max. Radius	5m	4m	3m	2m	Min. Radius			
5m	We	1560*	3.97			1570*	1570*	2.9	
	Ws	1560*	3.97			1570*	1570*	2.9	
4m	We	1500	4.72		1600*	1730*	1800*	2.55	
	Ws	1340	4.72		1600*	1730*	1800*	2.55	
3m	We	1210	5.17	1290	1780*	2130*	2730*	2.16	
	Ws	1070	5.17	1150	1730	2130*	2730*	2.16	
2m	We	1060	5.4	1220	1800	2680*	3050*	2.67	
	Ws	930	5.4	1080	1590	2530	3050*	2.67	
1m	We	990	5.44	1150	1650	2600	3000	2.75	
	Ws	870	5.44	1010	1440	2240	2560	2.75	
0	We	990	5.28	1090	1540	2430	3510*	2.43	
	Ws	870	5.28	950	1340	2070	2920	2.43	
-1m	We	1080	4.93		1490	2370	3920*	3130*	1.46
	Ws	940	4.93		1290	2020	3920*	3130*	1.46
-2m	We	1330	4.31		1490	2390	4080*	4030*	1.11
	Ws	1160	4.31		1290	2030	4080*	3940*	1
-3m	We	2080*	3.29			2290*	3120*	3450*	1.7
	Ws	1840	3.29			2130	3120*	3450*	1.7

WE : OVER END WS : OVER SIDE

BLADE : DOWN
 ARM : STD ARM
 SHOE : 450G
 BUCKET : 0.28BUCKET

ARM LENGTH = 1.75 (m)
 MAXIMUM REACH = 5.44 (m)
 TIPPING CAPACITY (MARK:) = 75.0 (%)
 HYDRAULIC CAPACITY (MARK:*) = 87.0 (%)

Bucket Hook Height	Radius of Load								
	Max. Radius	5m	4m	3m	2m	Min. Radius			
5m	We	1560*	3.97			1570*	1570*	2.9	
	Ws	1560*	3.97			1570*	1570*	2.9	
4m	We	1550*	4.72		1600*	1730*	1800*	2.55	
	Ws	1340	4.72		1600*	1730*	1800*	2.55	
3m	We	1570*	5.17	1590*	1780*	2130*	2730*	2.16	
	Ws	1070	5.17	1150	1730	2130*	2730*	2.16	
2m	We	1620*	5.4	1700*	2030*	2680*	3050*	2.67	
	Ws	930	5.4	1080	1590	2530	3050*	2.67	
1m	We	1680*	5.44	1820*	2260*	3130*	3480*	2.75	
	Ws	870	5.44	1010	1440	2240	2560	2.75	
0	We	1770*	5.28	1880*	2400*	3310*	4070*	2.43	
	Ws	870	5.28	950	1340	2070	2920	2.43	
-1m	We	1870*	4.93		2390*	3240*	3920*	3640*	1.86
	Ws	940	4.93		1290	2020	3920*	3130*	1.46
-2m	We	1980*	4.31		2170*	2930*	4080*	4300*	1.86
	Ws	1160	4.31		1290	2030	4080*	3940*	1
-3m	We	2080*	3.29			2290*	3120*	3270*	1.86
	Ws	1840	3.29			2130	3120*	3450*	1.7

WE : OVER END WS : OVER SIDE

BLADE : UP
 ARM : LONG ARM
 SHOE : 450G
 BUCKET : 0.22BUCKET

ARM LENGTH = 2.10 (m)
 MAXIMUM REACH = 5.75 (m)
 TIPPING CAPACITY (MARK:) = 75.0 (%)
 HYDRAULIC CAPACITY (MARK:*) = 87.0 (%)

Bucket Hook Height	Radius of Load								
	Max. Radius	5m	4m	3m	2m	Min. Radius			
5m	We	1410*	4.38			1390*	1360*	3.25	
	Ws	1410*	4.38			1390*	1360*	3.25	
4m	We	1340	5.07	1380	1450*	1500*	1510*	2.96	
	Ws	1190	5.07	1230	1450*	1500*	1510*	2.96	
3m	We	1100	5.49	1330	1640*	1900*	2360*	2.07	
	Ws	980	5.49	1180	1640*	1900*	2360*	2.07	
2m	We	970	5.71	1250	1850	2460*	2850*	2.6	
	Ws	860	5.71	1110	1630	2460*	2850*	2.6	
1m	We	910	5.74	1160	1690	2680	3230	2.68	
	Ws	800	5.74	1020	1480	2310	2750	2.68	
0	We	910	5.6	1090	1560	2460	3760	2.35	
	Ws	790	5.6	950	1360	2100	3120	2.35	
-1m	We	970	5.27	1050	1490	2360	3640*	2700*	1.33
	Ws	840	5.27	910	1290	2010	3640*	2700*	1.33
-2m	We	1150	4.69		1470	2350	4400*	3490*	1.11
	Ws	1000	4.69		1270	2000	4230	3390*	0.98
-3m	We	1660	3.78			2420	3570*	4980*	1.18
	Ws	1430	3.78			2060	3570*	4980*	1.18

WE : OVER END WS : OVER SIDE

BLADE : DOWN
 ARM : LONG ARM
 SHOE : 450G
 BUCKET : 0.22BUCKET

ARM LENGTH = 2.10 (m)
 MAXIMUM REACH = 5.75 (m)
 TIPPING CAPACITY (MARK:) = 75.0 (%)
 HYDRAULIC CAPACITY (MARK:*) = 87.0 (%)

Bucket Hook Height	Radius of Load								
	Max. Radius	5m	4m	3m	2m	Min. Radius			
5m	We	1410*	4.38			1390*	1360*	3.25	
	Ws	1410*	4.38			1390*	1360*	3.25	
4m	We	1410*	5.07	1410*	1450*	1500*	1510*	2.96	
	Ws	1190	5.07	1230	1450*	1500*	1510*	2.96	
3m	We	1440*	5.49	1490*	1640*	1900*	2360*	2.07	
	Ws	980	5.49	1180	1640*	1900*	2360*	2.07	
2m	We	1490*	5.71	1620*	1900*	2460*	2850*	2.6	
	Ws	860	5.71	1110	1630	2460*	2850*	2.6	
1m	We	1560*	5.74	1750*	2170*	2980*	3410*	2.68	
	Ws	800	5.74	1020	1480	2310	2750	2.68	
0	We	1640*	5.6	1850*	2350*	3250*	3930*	2.35	
	Ws	790	5.6	950	1360	2100	3120	2.35	
-1m	We	1740*	5.27	1850*	2390*	3270*	3640*	3360*	1.86
	Ws	840	5.27	910	1290	2010	3640*	2700*	1.33
-2m	We	1850*	4.69		2260*	3060*	4400*	4550*	1.86
	Ws	1000	4.69		1270	2000	4230	3390*	0.98
-3m	We	1990*	3.78			2550*	3570*	3770*	1.86
	Ws	1430	3.78			2060	3570*	4980*	1.18

WE : OVER END WS : OVER SIDE

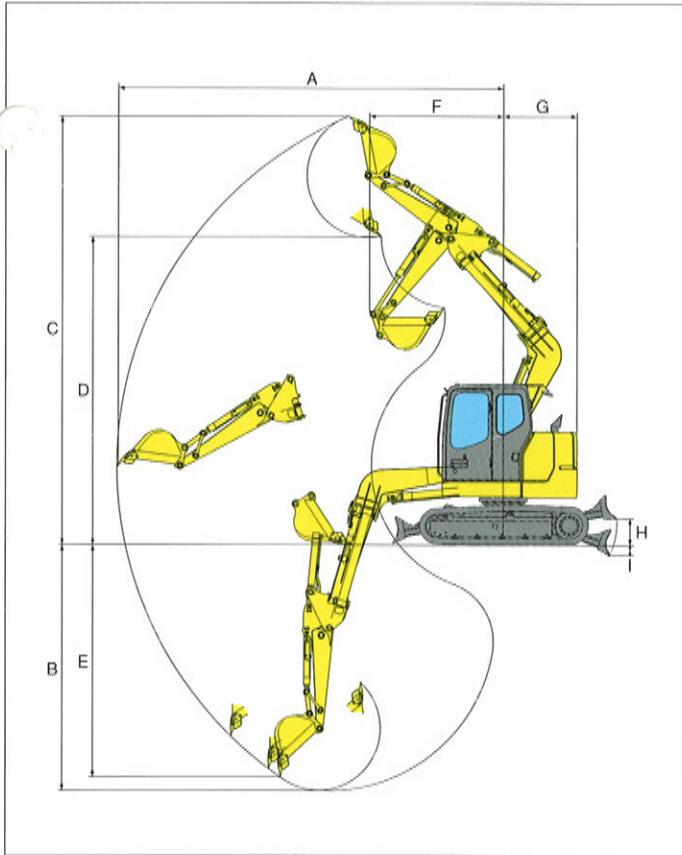
■ Standard equipment

- **Hydraulics system**
 - High-performance return filter
 - One-touch idle
 - Changeable 2-speed-travel
 - Rotational ABS
- **Safety equipment**
 - Rear-view mirror
 - Gate lock lever
 - Emergency escape hammer
 - Seat belt
 - Cab-top headlight
- **Travel alarm**
 - Theft prevention dog-chain
 - Boom holding valve
 - Engine emergency stop switch
- **Cab/interior equipment**
 - KAB seat
 - Large-size rounded cab
 - Fluid mount
 - Air conditioner
 - Defroster
- **Automatic lock for front facing window**
 - Automatic point wiper connector
 - Intermittent wiper with washer
 - Reclining seat
 - Cup holder
 - Ashtray
 - Room lamp
 - Hat hook
 - AM/FM Radio

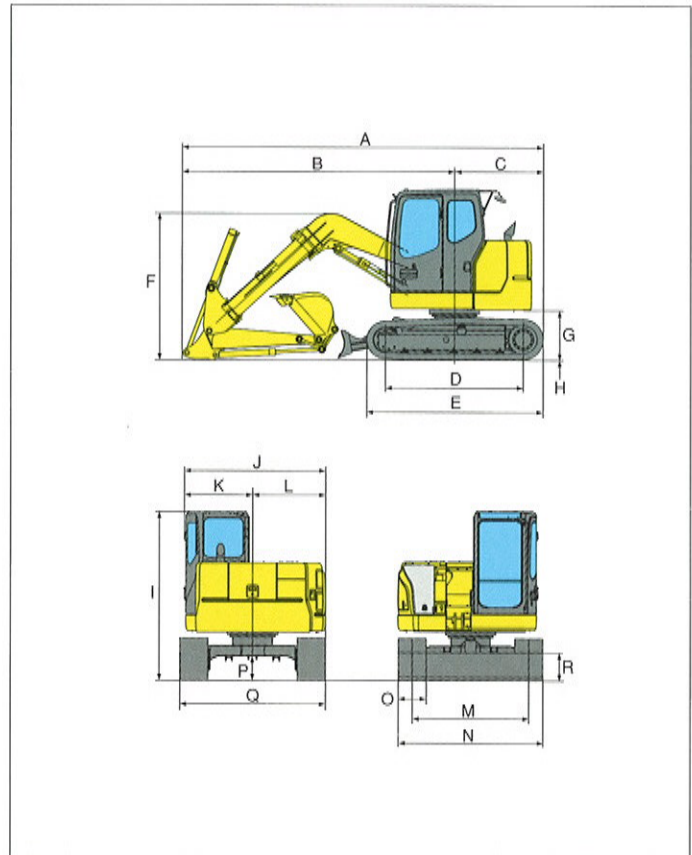
■ Optional equipment

- **Others**
 - Engine that complies with tear-3 exhaust emissions regulations
 - EMS (Easy Maintenance System)
 - Long life hydraulic fluid
 - Front-face protective net for radiator
 - Aluminum radiator
 - Aluminum oil cooler
- **Tool kit**
 - Grease gun
 - Fuel filter
 - Double-element air cleaner
- **Quick change 4way (Kit)**
 - Travel pedal

Working Range



Dimensions



Working Range

	SH75XU-3B	
length	1.75m	2.10m
A Max. digging radius	6490mm	6780mm
B Max. digging depth	4190mm	4600mm
C Max. digging height	7195mm	7450mm
D Max. dumping height	5150mm	5540mm
E Max. vertical wall cut depth	3260mm	3660mm
F Min. front swing radius	2230mm	2330mm
G Rear end swing radius	1235mm	
H Max. lift above ground	415mm	
I Min. drop below ground	205mm	

Dimensions

	SH75XU-3B	
Arm length	1.75m	2.10m
A Overall length	5970mm	5890mm
B Length from center of machine (to arm top)	4547mm	4470mm
C Length from center of machine (to shoe top)	1423mm	
D Center to center of wheels	2210mm	
E Overall track length	2845mm	
F Overall height	2970mm	3250mm
G Clearance height under upper structure	745mm	
H Shoe lug height	20mm	
I Cab height	2700mm	
J Upper structure overall width	2225mm	
K Width from center of machine (left side)	1065mm	
L Width from center of machine (right side)	1160mm	
M Track gauge	1870mm	
N Overall track width with 450mm	2320mm	
O Std. Shoe width	450mm	
P Minimum ground clearance	360mm	
Q Width of blade	2320mm	
R Height of blade	450mm	

Principal specifications

		SH75XU-3B	
		STD Specifications	
Engine	Arm length	1.75m	
	Bucket capacity (ISO heaped)	0.28m ³	
	Std. Operating weight	8260kg	
	Make & model	ISUZU AU-4LE2X	
Hydraulic System	Rated output	40.0kw/2000min ⁻¹	
	Displacement	2179ml(cc)	
	Main pump	2 variable displacement axial piston pumps with regulating system	
	Max pressure	29.4Mpa	
Performance	Travel motor	Variable displacement axial piston motor	
	Parking brake type	Mechanical disc brake	
	Swing motor	Fixed displacement axial piston motor	
	Travel speed	5.1/3.3km/h	
Others	Drawbar pull	59kN	
	Grade ability	70% <35°>	
	Ground pressure	37kPa	
	Swing speed	9.5min ⁻¹	
	Bucket	57kN	
	Arm	39kN	
Others	Fuel tank	100liter	
	Hydraulic fluid tank	97liter	

Bucket

Model		SH75XU-3B			
Bucket capacity (ISO/SAE/PCSA heaped)		0.11m ³	0.17m ³	0.22m ³	0.28m ³
Bucket capacity (CECE heaped)		0.10m ³	0.15m ³	0.19m ³	0.24m ³
Bucket type		STD	STD	STD	STD
No. of tooth		3	3	4	4
Width	With side cutter	-	-	673mm	804mm
	Without side cutter	370mm	480mm	600mm	730mm
Weight		136kg	161kg	178kg	204kg
	1.75m arm	○	○	○	●
	2.10m arm	○	○	●	×

○: Suitable for materials with density up to 2000kg/m³ or less
 ●: Standard bucket (Suitable for materials with density up to 1800kg/m³ or less)
 ×: Not available

Weight & Ground pressure

Model		SH75XU-3B		
Shoe type	Shoe width	Overall width	Operating weight	Ground pressure
Triple grouser shoe	450mm	2320mm	8260kg	37kPa
	600mm	2470mm	8370kg	28kPa

●There are times when we may change the content of the catalogue without warning ●There are times when printed photographs may differ from the retailer's actual specifications
●Photographs shown above have been taken in poses for use in this catalogue. When exiting machinery, please ensure that operational equipment is always grounded, and that every effort has been made to ensure safety ●There are times when the color of catalogue photographs may, as a result of the printing process, differ from the actual color ●Please always ensure that you have read the instruction manual before operating this vehicle ●A special license (Certification of the completion of a vehicle type construction machinery skilled operator's course) is required to operate construction machinery in excess of 3 tons ●Operation of specified cranes requires completion of a vehicle type construction machinery skilled operator's course, or completion of a small size mobile crane skilled operator's course



SUMITOMO (S.H.I.)
CONSTRUCTION MACHINERY
MANUFACTURING CO., LTD.

731-1 Naganumahara-cho, Inage-ku,
Chiba, 263-0001 Japan
For further information please contact:
Phone : +81-43-420-1796
Facsimile : +81-43-420-1907

We are constantly improving our products and therefore reserve the right to change designs and specifications without notice.
Illustrations may include optional equipment and accessories and may not include all standard equipment.