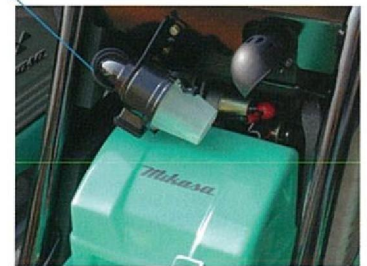


# Reversible Compactor

\*Models equipped with diesel engines are silent-type reversible compactors installed with sound absorbing materials in the guard frame. (MVH-150D through MVH-502DSB)

All models comply with the EU Noise Emission Directive 2005/88/EC (2000/14/EC)

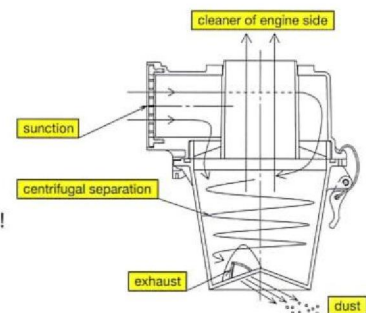


Mikasa cyclone series (MVH-207~406 with yanmar diesel engine)

Cyclone pre-cleaner increase filterability dramatically!  
Most suitable for harsh environment

Cyclone makes

- \* Approx. 4 times DHC (Dust Holding Capacity) against single cleaner
- \* Blow out coarse dust automatically with centrifugal effect (see fig)
- \* Reduce clogging at main cleaner
- \* Finally extend maintenance cycle dramatically !







MVH-150D



MVH-306DSC



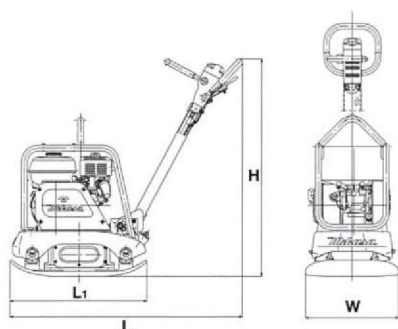
MVH-502DSB



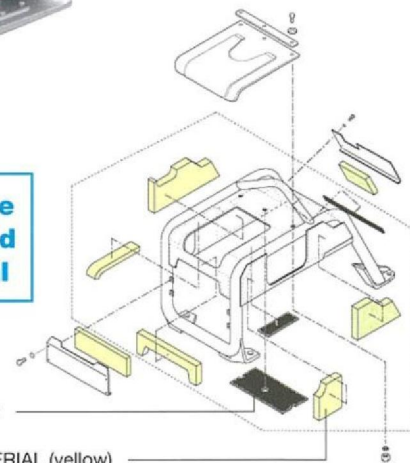
MVH-306GH



MVH-406GH



**Original Guard Frame  
With Special Sound  
Absorbing Material**



DAMPING MATERIAL (gray)

SOUND ABSORBING MATERIAL (yellow)

model	dimensions	plate size	vibrating frequency	centrifugal force(max.)	max. traveling speed	limited gradeability (max)	power source
MVH-150D	H : 920mm L : 1,130mm WT : 158kg	W : 430mm L1 : 700mm	90Hz (5,400V.P.M)	27.0kN (2,750kgf)	25m/min	35%	Yanmar L48N max.output 3.5kW(4.7PS) diesel engine
MVH-306DSC	H : 970mm L : 1,570mm WT : 346kg	W : 445mm (595mm) (745mm) L1 : 860mm	73Hz (4,400V.P.M)	45.0kN (4,600kgf)	23m/min	35%	Yanmar L70N max.output 4.9kW(6.7PS) diesel engine electric start
MVH-406DSC	H : 930mm L : 1,610mm WT : 430kg	W : 500mm (650mm) (800mm) L1 : 900mm	73Hz (4,400V.P.M)	50.0kN (5,100kgf)	23m/min	35%	Yanmar L100N max.output 7.4kW(10.0PS) diesel engine electric start
MVH-502DSB	H : 950mm L : 1,680mm WT : 560kg	W : 550mm (700mm) (850mm) L1 : 900mm	67Hz (4,000V.P.M)	61.7kN (6,300kgf)	23m/min	35%	Hatz 1D81S max.output 9.7kW(13.2PS) diesel engine electric start
MVH-306GH	H : 970mm L : 1,570mm WT : 308kg	W : 445mm (595mm) (745mm) L1 : 860mm	73Hz (4,400V.P.M)	45.0kN (4,600kgf)	23m/min	35%	Honda GX270 max.output 6.0kW(8.2PS)
MVH-406GH	H : 930mm L : 1,610mm WT : 370kg	W : 500mm (650mm) (800mm) L1 : 900mm	77Hz (4,600V.P.M)	55.0kN (5,600kgf)	24m/min	35%	Honda GX390 max.output 8.2kW(11.1PS)

Weight includes weigh of machine, lubricants, 50% of fuel and 50% of water in case with water tank option.  
Features and specifications are subject to change without notification.