

GLASS VACUUM

LIFTING & HANDLING ROBOT

Glass Installation Robot
Glass Vacuum Lifter



公司介绍 COMPANY PROFILE

Cowest Machinery Equipment Ltd was established in 2008, which is a professional Vacuum handling equipment research and development, production, sales and service in one manufacturing enterprise. Our products are used in many industries such as Construction, Glass manufacturing, Chemical industry, Pharmaceutical industry, and food industry, and are exported to Europe, America, the Middle East, Southeast Asia and other regions around the world. We have own R&D team and core product technology, and have obtained more than 30 product patents, including Movable Vacuum tube lifter with Fold Crane, Glass installation Robot, Stone Road installation manipulator ect. These products are one of the best in the world, and they are used in many famous enterprises and projects, the glass installation robots took 90% market share for rental companies in China, we also made the largest vacuum lifter for 12 tons glass installation, which is new record in the world. Our products also participated in many famous large-scale construction projects for Glass



COWEST®

柯西机械

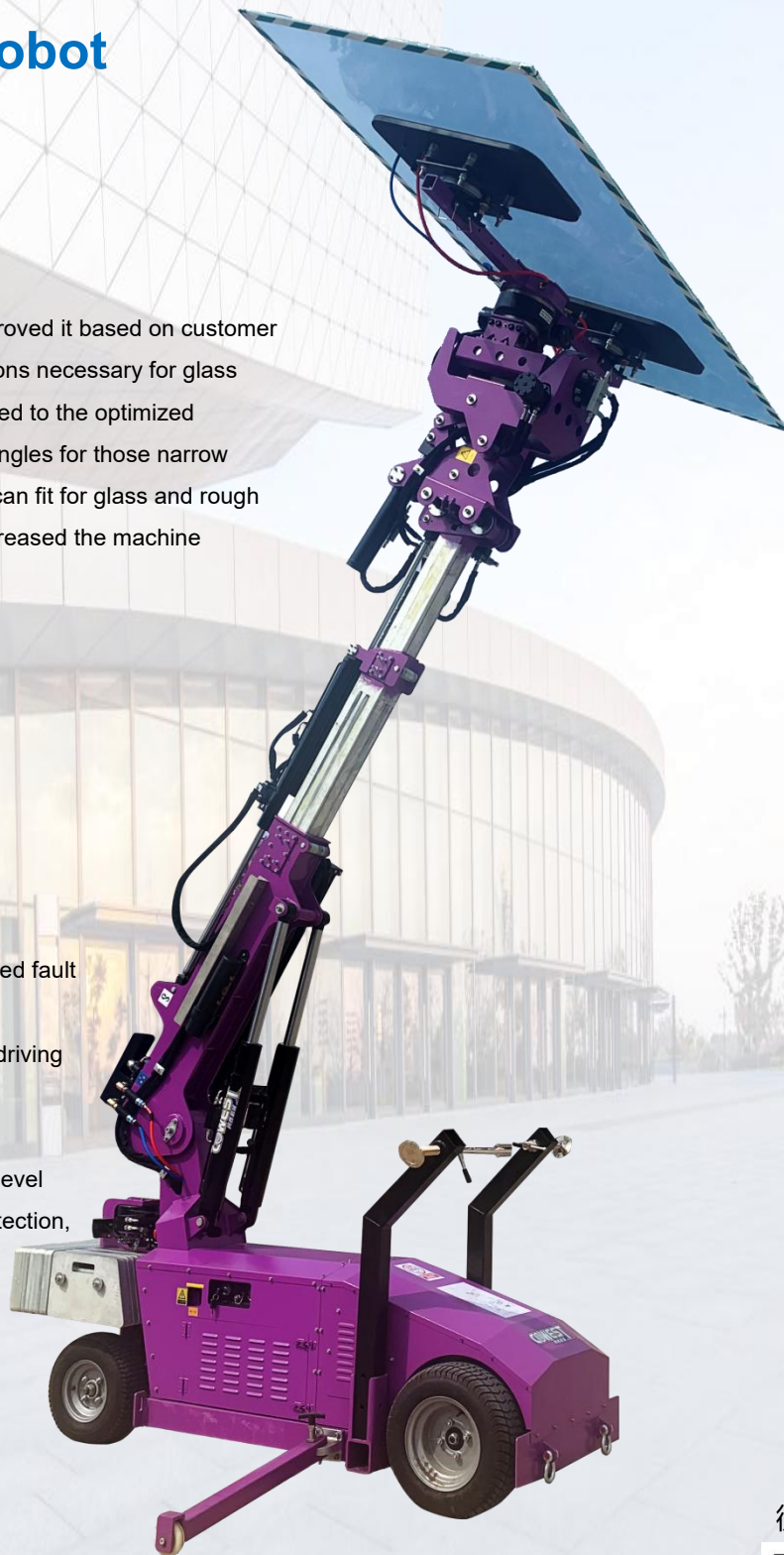
Glass installation robot WSR-800LA

Introduction

WSR800LA is the latest model which we improved it based on customer feedback from market. It has complete functions necessary for glass installation, and all movements control adjusted to the optimized conditions , we also improved some of joint angles for those narrow space works. The foam rubber suction cups can fit for glass and rough surface materials, optimized driving axles increased the machine tolerance capacity.

Main features

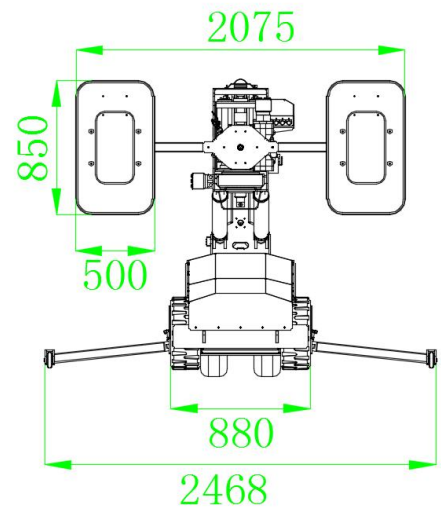
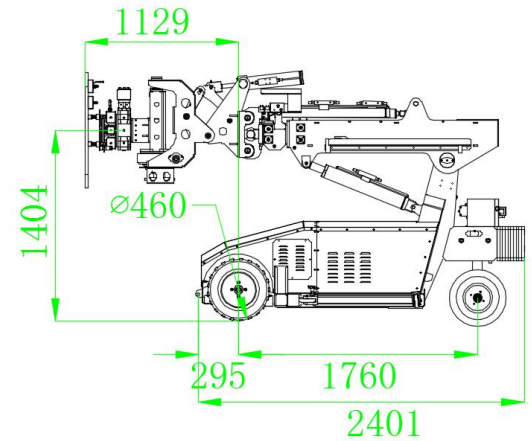
- Wireless remote control driving
- Enhanced driving axle for heavy loads
- Quick changeable batteries
- Side turning degree increase
- Full vertical up&down for fixed lifting
- Millimeter movement for glass positioning
- Radar monitor on back to prevent unexpected fault operation
- 4 wheels on front optional for more stable driving
- Dual controllers
- IPX2 protection class
- Full safety protection includes low vacuum level warning, low battery warning, Charging protection, side-fall protection, auto-parking brake and emergency stop



微信公众号

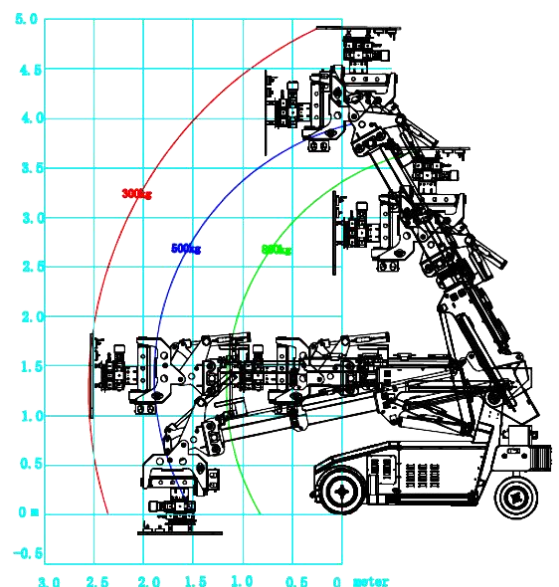


WSR-800LA外观尺寸图



Model	WSR-800LA
Max. Lifting height	4.6m
Rated capacity	800kg
Max. work piece availabel	7*3M
Driving speed	0-4km/h
Rated power	4 kw
Driving unit	AC 24V by remote control steering
Up-hill	12%
Suction cup	500*800mm*2
Vacuum circle	Dual pumps and circles
Alert Indication	Lights and acoustic
Working time	Maximum 8H
Arms extending	650+500mm
Tilting	0° -135°
Rotating	0° -360° endless
Side shifting	± 50mm
Vertical up/down	±75mm
Side turning	90° on both sides
Batteries	DC12V* 2* 150Ah
Charging	AC220V/AC110 -240V
Charging time	6H from 0-100
Dimensions	3100*1620*880*mm
Self weight	2190kg

WSR-800LA (Load graph)





WSR 800L Pavilion installation



WSR800LA for big size marble



WSR800L Indoors application



WSR800L Transportation



RDS 10T Heavy glass in factory



RDS 1500 outdoors application



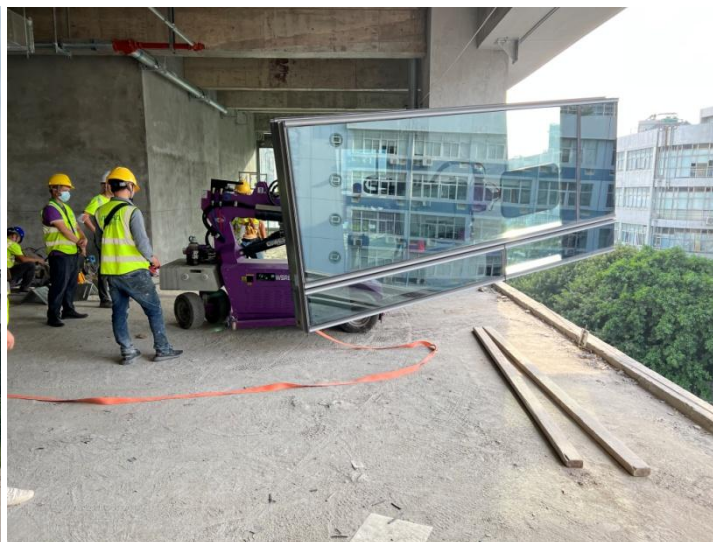
WSR400MINI For marble



WSR5000R Lifting



WSR 600M Hydraulic clamps



WSR 800LA for façade installation



Glassboy for glass installation



DRS 5T heavy glass installation



High-tech corporation since 2018



**高新技术企业
证书**

企业名称：广州市柯西机械设备有限公司

证书编号：GR202144014698

发证日期：2021年12月31日

有效期：三年

批准机关：



Some cooperative customers



HAOJING

耀华集团

中建装饰

JANGHO
江河幕墙

YASHA



KGE 晶艺



香港信越

香港保达

address: B5 Building, Yi Sheng Industrial Park, QingCheng District, QingYuan City, China.

cell phone: +86 13560307117 (Facebook account)

E-mail: alongdm@163.com **web:** www.cowestlift.com

