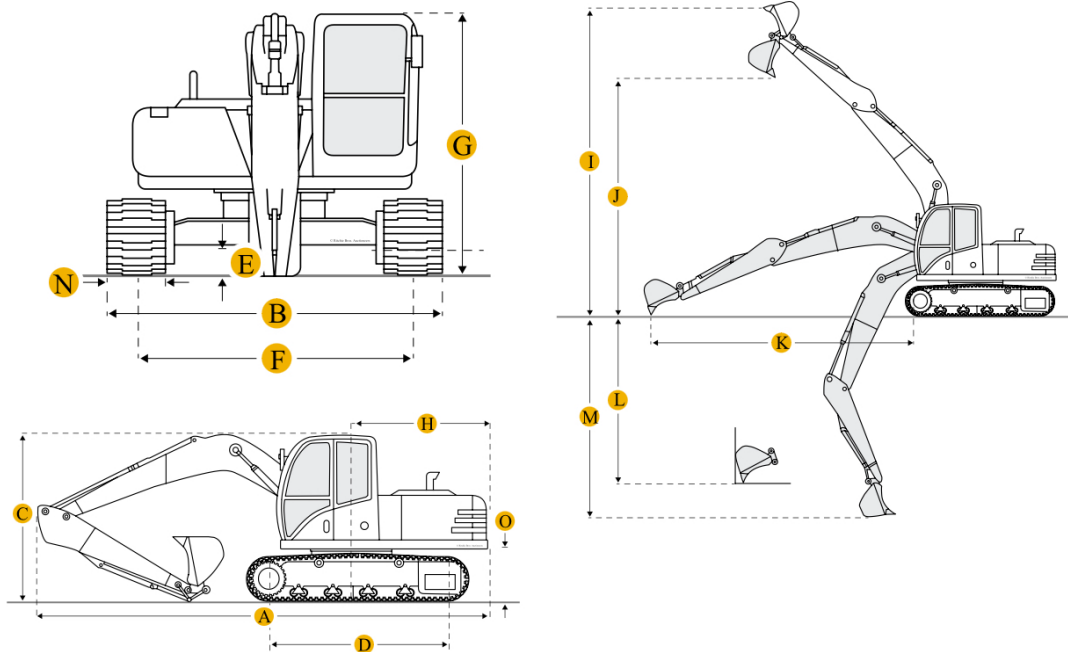


Sumitomo SH200-3 Hydraulic Excavator



Units

Imperial

Metric

Dimensions

Boom/Stick Option (Hex) 1

A	Shipping Length Of Unit	2910 mm
C	Shipping Height Of Unit	9390 mm
I	Max Cutting Height	9650 mm
J	Max Loading Height	6840 mm
K	Max Reach Along Ground	9960 mm
L	Max Vertical Wall Digging Depth	6080 mm
M	Max Digging Depth	6710 mm

Boom/Stick Option (Hex) 1

Standard

Dimensions

E	Ground Clearance	460 mm
G	Height To Top Of Cab	2880 mm
B	Width To Outside Of Tracks	2800 mm
D	Length Of Track On Ground	3370 mm
H	Tail Swing Radius	2750 mm
	Removal Counterweight Clearance	1040 mm

Undercarriage

F	Track Gauge	2200 mm
N	Shoe Size	600 mm
	Max Travel Speed	5.5 km/h
	Ground Pressure	43 kPa

Specifications

Engine

Engine Make	2353
Engine Model	BB-6BG1T
Net Power	104.4 kw
Power Measured @	1950 rpm
Displacement	6.5 L

Operational

Operating Weight	19100 kg
Fuel Capacity	340 L
Hydraulic System Fluid Capacity	206 L
Hydraulic System Relief Valve Pressure	34300 kPa

Swing Mechanism

Swing Speed	11.9 rpm
--------------------	----------

Buckets

Reference Bucket Capacity	0.8 m3
----------------------------------	--------