



## KUBOTA ZERO-TAIL SWING MINI EXCAVATOR

# U17-3*α*



# With Kubota's advanced and upgraded U17-3 $\alpha$ , you'll have the versatility and performance to take on almost any task.

## Kubota Engine

Kubota's unique E-TVCS (Three Vortex Combustion System) enables high-energy output, low vibration and low fuel consumption, while minimising exhaust emissions.

## Outstanding Travel Performance

Kubota's U17-3 $\alpha$  delivers powerful performance and the use of new short-pitched rubber crawlers helps minimise vibration during travel for improved operator comfort.



## Working Range

Kubota has designed the U17-3 $\alpha$  to provide excellent digging depth and reach. The extended dozer length optimises the distance between the dozer and the bucket, making it fast and efficient to collect soil close to the machine. With its wide working range, the zero-tail swing U17-3 $\alpha$  can complete a variety of jobs productively.

Buckets may vary by location.

## DIGITAL PANEL



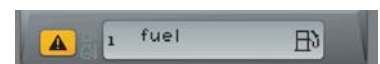
Informative, interactive and functional. Kubota's Intelligent Control System keeps you in tune of the U17-3 $\alpha$ 's vital signs. It accurately displays easy-to-understand diagnostics of current working conditions and warning indicators for engine rpm and hour meter, as well as for fuel, temperature and oil levels. When filling up with fuel, our panel also informs the operator that the tank is nearly full, and alerts the operator to when routine maintenance is due. Overall, the panel reduces excavator repair time for a decrease in total operating costs.



Language selection display



Information when service is required



Low fuel display

## Boom Cylinder

The boom cylinder is situated above the boom for maximum protection, especially during breaker or dumping operation. Movement speeds of front attachments and lifting power have been well adjusted, thanks to the boom cylinder's large-diameter rod and optimal hydraulic pressure.

## Zero-tail Swing

Kubota's zero-tail swing makes the U17-3 $\alpha$  an advanced mini excavator. The 360° swivel, excellent stability and smooth control, combined with unmatched power and efficiency, mean there are no limits to what you can accomplish — even in heavy traffic areas and inside buildings.

## Protected Front & Auxiliary Hoses

Front cylinder hoses are routed through the boom for increased protection, extended service life and greater operator visibility. Also, the auxiliary hoses extend only to the top of the arm to protect them from potential damage during narrow-width bucket use.

## 2-Piece Hose Design

The two-piece hose configuration on both dozer and boom cylinders reduce hose replacement time.

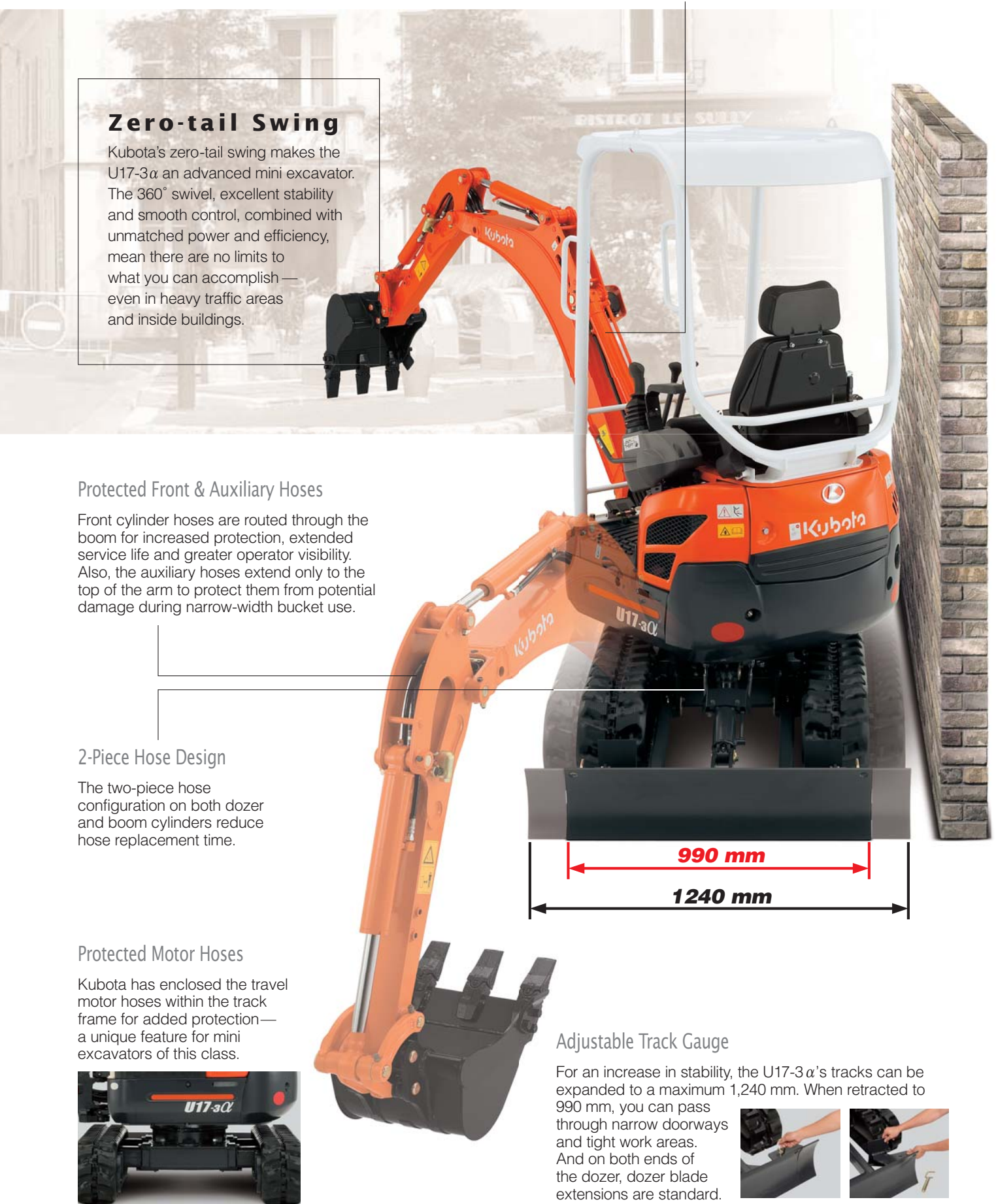
## Protected Motor Hoses

Kubota has enclosed the travel motor hoses within the track frame for added protection — a unique feature for mini excavators of this class.



## Adjustable Track Gauge

For an increase in stability, the U17-3 $\alpha$ 's tracks can be expanded to a maximum 1,240 mm. When retracted to 990 mm, you can pass through narrow doorways and tight work areas. And on both ends of the dozer, dozer blade extensions are standard.





# ANTI-THEFT SYSTEM

The ultimate in security that's as easy as turning a key. It's the industry's first standard-equipped anti-theft system, and another original only from Kubota.

## THE SYSTEM

Introducing Kubota's new simple and secure anti-theft system. Our one-key-system has an IC chip, which only starts the engine when the system recognises the appropriate key. Standard equipment includes one Red programming key, plus two Black operational keys. And up to four Black keys can be programmed. What's more, you get peace of mind knowing your construction equipment couldn't be in safer hands.

## EASY OPERATION

No special procedures needed. No PIN numbers needed. Just turn the key. Plus, our simple "one-key-security system" allows access to the cabin door and engine bonnet as well as the fuel tank.

## SAFETY/SECURITY

Only "programmed keys" will enable the engine to start. Even identically shaped keys can't start the engine unless they are programmed. In fact, attempting to start the engine with an un-programmed key will activate the system's alarm. This alarm will continue even after the un-programmed key is removed. It will only stop once a programmed key is inserted into the ignition and switched on to start the engine.

## EASY PROGRAMMING

One Red programming key and two pre-programmed Black operational keys come standard. If a Black key is misplaced, or if additional Black keys are needed (a maximum of two can be added), key programming is easy. Simply insert the Red key, followed by the Black keys.

## ROPS/FOPS Canopy

Safety first. The canopy conforms to ROPS (Roll-Over Protective Structure) and FOPS (Falling Objects Protective Structure) Level 1 specifications, so that you can concentrate on what's important — your work.

## 2-Speed Travel Switch on Dozer Lever

The dozer lever features a 2-speed travel switch, which allows the operator to easily select between power or travel speed during levelling work, depending on the load.

## Straight Travel

Loading and unloading is safer due to a unique Kubota hydraulic system that provides straight travel, even during simultaneous operations.



### Programmed key



### Un-programmed key



1 Insert the Red programming key, then press the monitor button.



2 Insert new individual Black operational key.

## KUBOTA ZERO-TAIL SWING MINI-EXCAVATOR

# U17-3 $\alpha$



### Easy Maintenance

When maintenance is simple, downtime is greatly reduced and you're more productive. With the U17-3 $\alpha$ , routine maintenance is easy—the rear bonnet, side covers and the under-seat cover open up without the need for tools. This allows for quick access to the engine oil gauge, radiator, battery, air and fuel filters, and much more. Accessing the under-deck hydraulics is also fast and easy, because there aren't any bolts to unscrew—just lift the rubber mat and open the floor plate. Plus, for extra strength and easier repairs, the U17-3 $\alpha$ 's bonnet and side covers are made of steel.



### Front Bush Pins

For increased durability, Kubota has included bushings throughout the U17-3 $\alpha$ 's pivot points on the swing bracket, as well as critical jointed points. And if necessary, the bushings can be easily replaced.



## Standard Equipment

### Engine/Fuel System

- Double-element air cleaner
- Electric fuel pump

### Undercarriage

- 230 mm rubber track
- 2-speed travel switch on dozer lever
- Variable track
- 3 outer flange-type track rollers on each track

### Hydraulic System

- Pressure accumulator
- Hydraulic pressure checking ports
- Straight travel circuit
- Third-line hydraulic return
- Variable displacement pump

### Safety System

- Engine Start Safety System on left console
- Travel Lock System on left console
- Swivel Lock System
- Anti-theft system

### Working Equipment

- 950 mm arm
- Auxiliary hydraulic circuit piping to arm's end
- Working light on boom

### Canopy and Operating Area

- ROPS (Roll-Over Protective Structure, ISO 3471)

- FOPS (Falling Objects Protective Structure) Level 1
- Weight-adjustable, semi-suspension seat
- Seatbelt
- 12V power source
- Hydraulic pilot control levers with wrist rests
- Switch and harness for beacon light
- Digital Panel

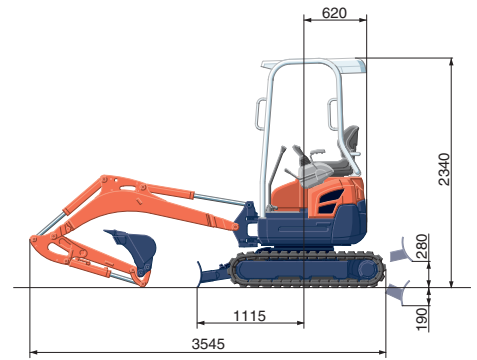
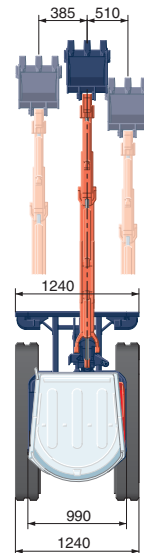
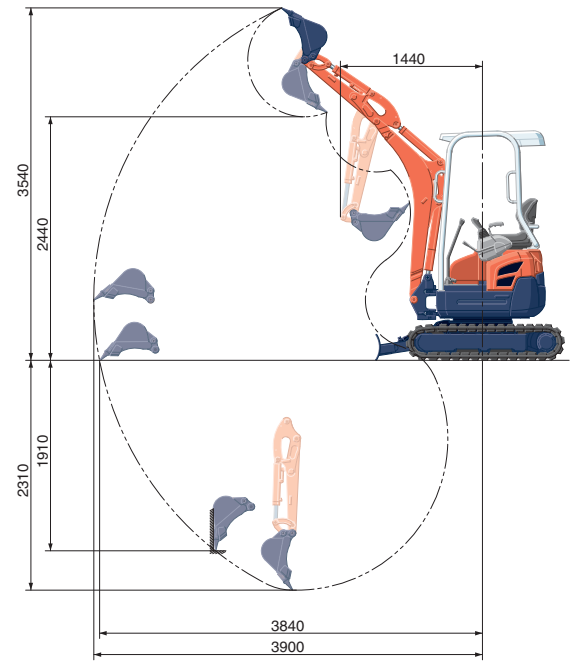
## Optional Equipment

- 230 mm steel track (+ 70 kg)

# SPECIFICATIONS

			*Rubber shoe type	
Machine weight	kg	1650		
Bucket capacity, std. SAE/CECE	m <sup>3</sup>	0.04		
Bucket width	with side teeth	mm	450	
	without side teeth	mm	400	
Engine	Model	D902		
	Type	Water cooled		
	Output ISO9249	PS/rpm	16/2300	
		kW/rpm	11.8/2300	
	Number of cylinders	3		
	Bore × Stroke	mm	72 × 73.6	
Displacement	cc	898		
Overall length	mm	3545		
Overall height	mm	2340		
Swivelling speed	rpm	9.1		
Rubber shoe width	mm	230		
Tumbler distance	mm	1230		
Dozer size (width × height)	mm	990/1240 × 265		
Hydraulic pumps	P1, P2	Variable displacement pump		
	Flow rate	ℓ/min	17.3 + 17.3	
	Hydraulic pressure	MPa (kgf/cm <sup>2</sup> )	21.6	
	P3	Gear pump		
	Flow rate	ℓ/min	10.4	
	Hydraulic pressure	MPa (kgf/cm <sup>2</sup> )	18.6	
Max. digging force	Arm	kN (kgf)	8.5 (865)	
	Bucket	kN (kgf)	15.2 (1550)	
Boom swing angle (left/right)	deg	65/58		
Auxiliary circuit	Flow rate	ℓ/min	27.7	
	Hydraulic pressure	MPa (kgf/cm <sup>2</sup> )	18.6	
Hydraulic reservoir	ℓ	21		
Fuel tank capacity	ℓ	19		
Max. travelling speed	Low	km/h	2.2	
	High	km/h	4.1	
Ground contact pressure	kPa	26.1		
Ground clearance	mm	150		

# WORKING RANGE



Unit: mm

# LIFTING CAPACITY

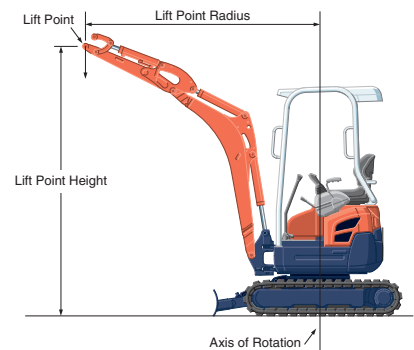
Lift Point Height	kN (ton)								
	Lift point radius (1.5m)			Lift point radius (2m)			Max. lift point radius (3m)		
	Over-front		Over-side	Over-front		Over-side	Over-front		Over-side
Blade Down	Blade Up	Blade Down		Blade Up	Blade Down		Blade Up		
2m	-	-	-	3.1 (0.32)	3.1 (0.32)	3.1 (0.32)	-	-	-
1.5m	5.2 (0.53)	5.2 (0.53)	5.2 (0.53)	4.5 (0.46)	4.0 (0.41)	3.7 (0.38)	3.6 (0.37)	2.1 (0.22)	2.0 (0.20)
0.5m	-	-	-	6.9 (0.70)	3.6 (0.37)	3.3 (0.34)	3.8 (0.39)	2.0 (0.21)	1.9 (0.19)
0m	-	-	-	6.6 (0.67)	3.5 (0.36)	3.3 (0.33)	3.6 (0.37)	2.0 (0.20)	1.9 (0.19)
-0.5m	8.1 (0.83)	5.5 (0.56)	5.0 (0.51)	5.8 (0.60)	3.5 (0.36)	3.2 (0.33)	3.2 (0.33)	2.0 (0.20)	1.8 (0.19)
-1.5m	5.3 (0.54)	5.3 (0.54)	5.2 (0.53)	3.7 (0.37)	3.6 (0.37)	3.3 (0.34)	-	-	-

Please note:

\* Over-side figures shown are with crawler fully extended.

\* The lifting capacities are based on ISO 10567 and do not exceed 75% of the static tilt load of the machine or 87% of the hydraulic lifting capacity of the machine.

\* The excavator bucket, hook, sling and other lifting accessories are not included on this table.



\* Working ranges are with Kubota standard bucket, without quick coupler.  
\* Specifications are subject to change without notice for purpose of improvement.

★ All images shown are for brochure purposes only.

When operating the excavator, wear clothing and equipment in accordance to local legal and safety regulations.

## KUBOTA (U.K.) LTD

Dormer Road, Thame, Oxfordshire,  
OX93UN, U.K.

Phone : 01844-268140

F a x : 01844-216685

<http://www.kubota-global.net>