

SV06DNL SV08DNL

SCISSOR LIFTS

SV06DNL provides high performance with proportional steering system at working sites.

SV06DNL achieves long duty cycle and battery power saving with AC motor drive.

1 LONG DUTY CYCLE

AC Driving Motor improves duty cycle by*150% more as compared to our previous model (SV-B Series).

In addition, the Brushless motor will contribute to reducing the running cost.

(*Above was measured by Aichi standard.)

2 SMOOTH STEERING SYSTEM

Proportional Steering Control System offers smooth operation.

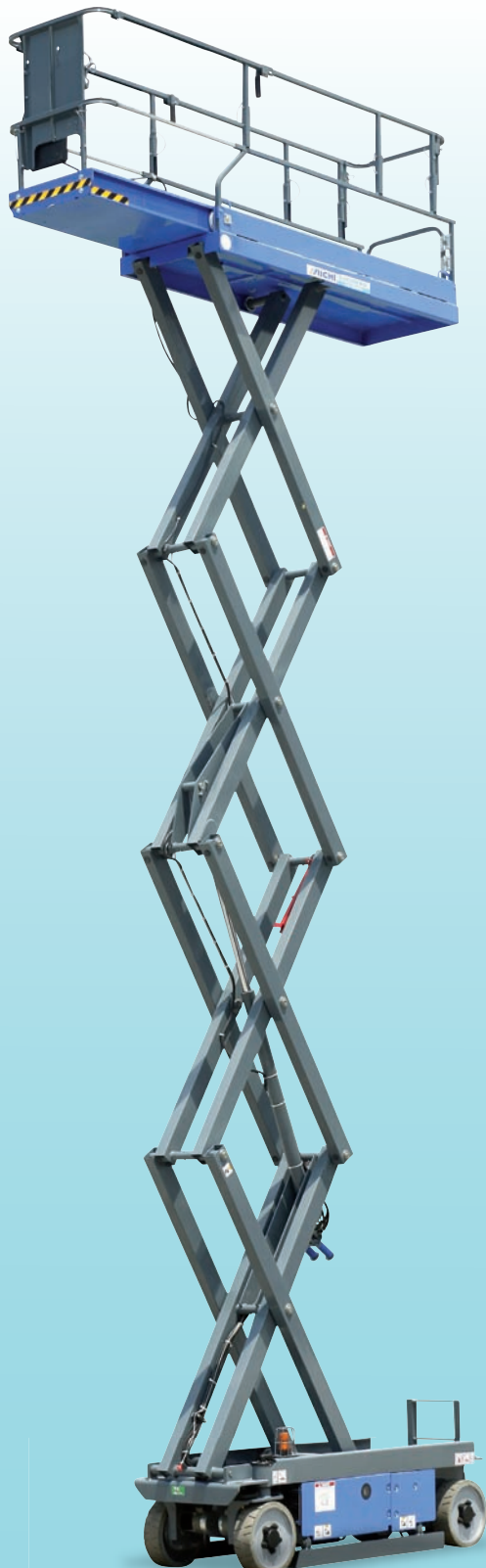
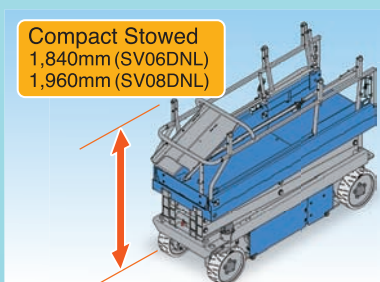
Joystick Controller. (Optional)



3 COMPACT BODY & LARGE PLATFORM

Compact Stowed position with Fold Down Guardrail

1.78m Platform length plus Extension deck (1.0m)



4

IMPROVED SERVICE ABILITY OF MAINTENANCE



WIDE RANGE OF CHARGING VOLTAGE

AC100-240V can be used.



SLIDE-OUT TRAY

Battery maintenance can be performed by slide-out tray.

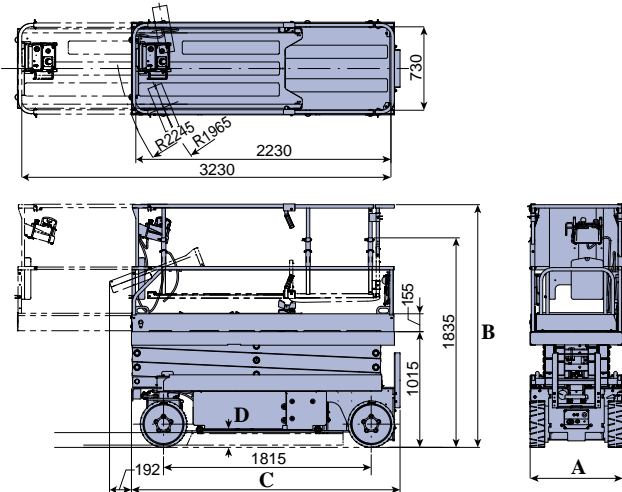


EASY ACCESS TO MAJOR COMPONENT

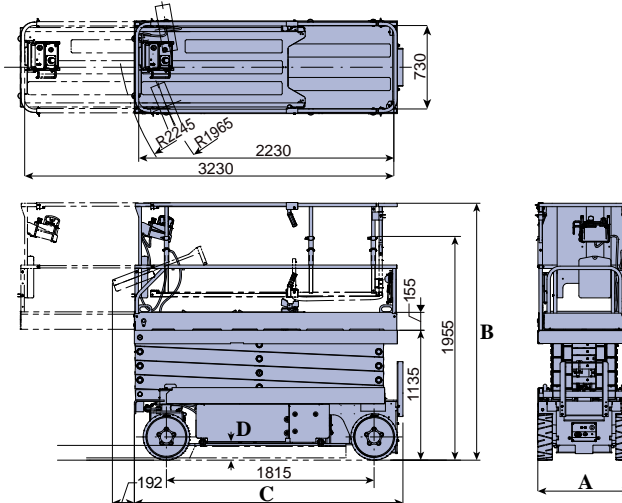
Swing-out tray enables easy access to major components for maintenance and repair.

DIMENSIONS

SV06DNL



SV08DNL



SPECIFICATIONS

MODELS	SV06DNL	SV08DNL
PLATFORM		
Platform Capacity	360kg	230kg
Platform Extension	1.02m	1.0m
Extension Deck Capacity	120kg	
Platform Height-Elevated	6.10m	7.77m
Platform Height-Lowered	1.02m	1.13m
Platform Size	2.30m×0.79m×1.1m	
LIFT & LOWER SYSTEM		
Type	3 scissors link	4 scissors link
Lifting/Lowering Time	30 sec	40 sec
POWER SYSTEM		
Batteries	24V DC (4 units of 6V 185 Ah)	
Tyre Type	Solid non-marking	
TRAVEL DEVICE		
Speed	Max 4.5km/stowed, 1.0km/lifted	
Gradeability	25% (14degree)	
DIMENTION		
A Overall Width	0.81m	
B Overall Height	2.12m	2.24m
C Overall Length	2.35m	
D Ground Clearance	0.13m/stowed, 0.02m/pot hole	
Vehicle Weight	1,685kg	1,945kg
Vehicle Weight (CE)	1,865kg	2,240kg
OPTIONS		
Joystick Controller, Working Light, Flashing Beacon		
*Standards Compliance ANSI, CE, KC-Mark		
*Specifications are subject to change without notice		

AICHI CORPORATION

Overseas Marketing & Sales Department

<http://www.aichi-corp.jp/english/>

DISTRIBUTORS